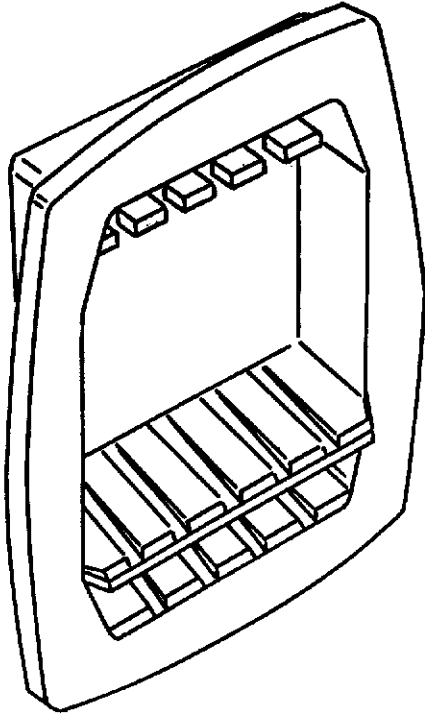


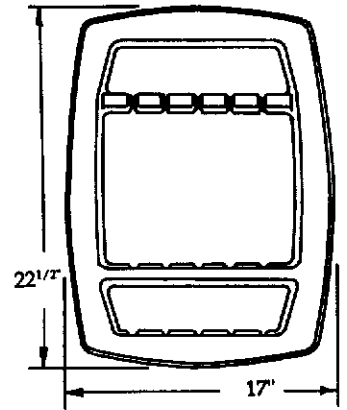
# Recessed Bath Accessories



## Soap/Shampoo Holder with Razor and Toothbrush holder

Contemporary in design, versatile beyond compare! This unit is useful in the shower or near your vanity. Spacious enough for multiple containers, tooth brushes or razors--not to mention, soap, sponge, and face towel. This unit--as with all others in this series--occupies normally used wall space between the studs.

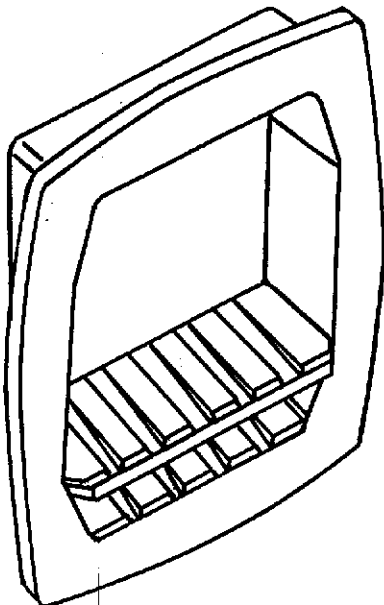
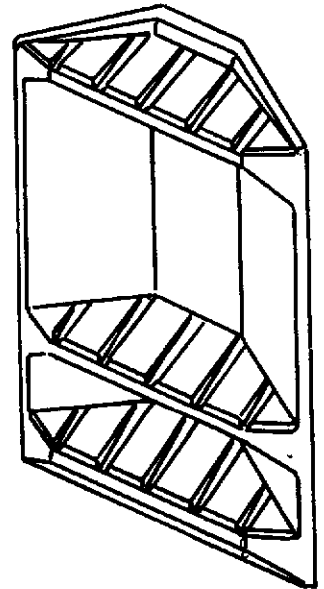
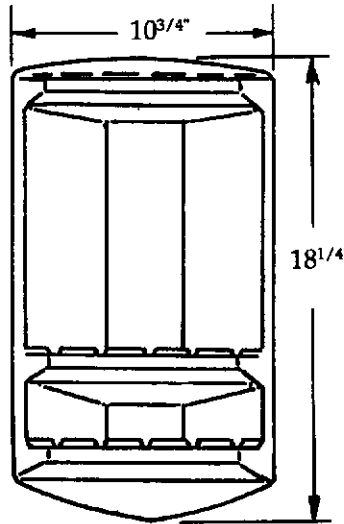
Weight 22 lbs.  
Opening Size by template



## Corner Soap/Shampoo

This stylish unit fits right in the corner of your shower or tub area. It gives you easy access to your soap and shampoo. The unit is simple to install in almost all conditions such as ceramic tile, marble or plastic wall treatments.

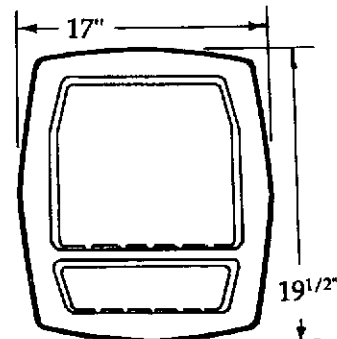
Weight 15 lbs.



## Soap/Shampoo Holder

Elegant, spacious and convenient! This unit is similar to the the soap/shampoo unit above except for the absence of the razor and tooth brush holder.

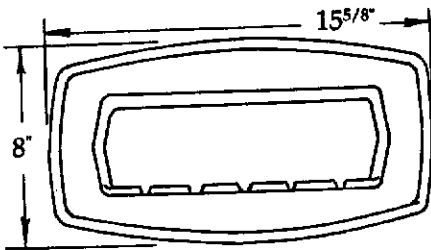
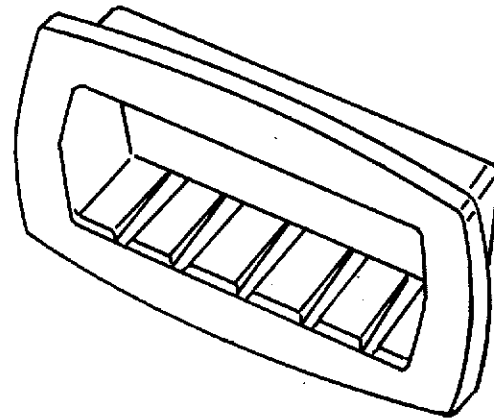
Weight 18 lbs.  
Opening Size by template



# The Contempo Accessories

## Elongated Soap Holder

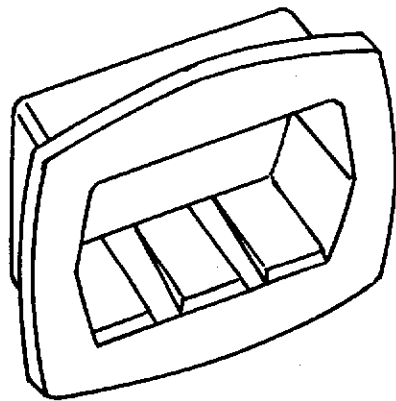
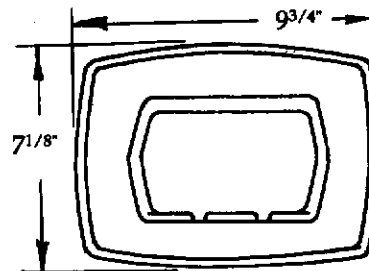
The elongated soap holder is generous with space. It allows for two or more bars of soap along with a face towel or sponge—all stored within easy reach. Another advantage to the elongated soap holder is that it is easy to clean. This unit can be located in the tub or shower wall area. It is available in Exyte, Aluminyx or Granatex or your choice of custom colors.



Weight 9 lbs.  
Opening Size  $13\frac{1}{2} \times 5\frac{1}{4}$

## Small Soap Holder

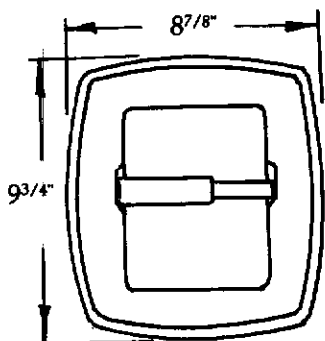
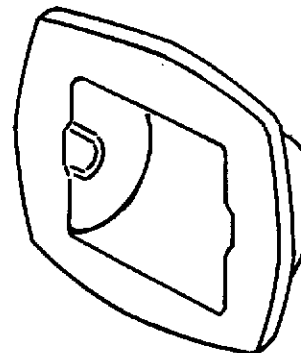
Space saving, elegant, convenient, easy to clean! All in this single soap holder. It is part of a diversified collection of bath accessories that enhance the beauty and value of your bath environment.



Weight 5 lbs.  
Opening Size  $7\frac{1}{4} \times 5$

## Toilet Paper Holder

Our collection of recessed accessories includes a toilet paper dispenser. This unique holder adds elegance to any bath environment. The expandable roller tube may be ordered in polished chrome, polished brass (as standard) or a custom finish by special order for only a nominal surcharge.



Weight 6 lbs.  
Opening Size  $6\frac{1}{2} \times 7\frac{1}{2}$