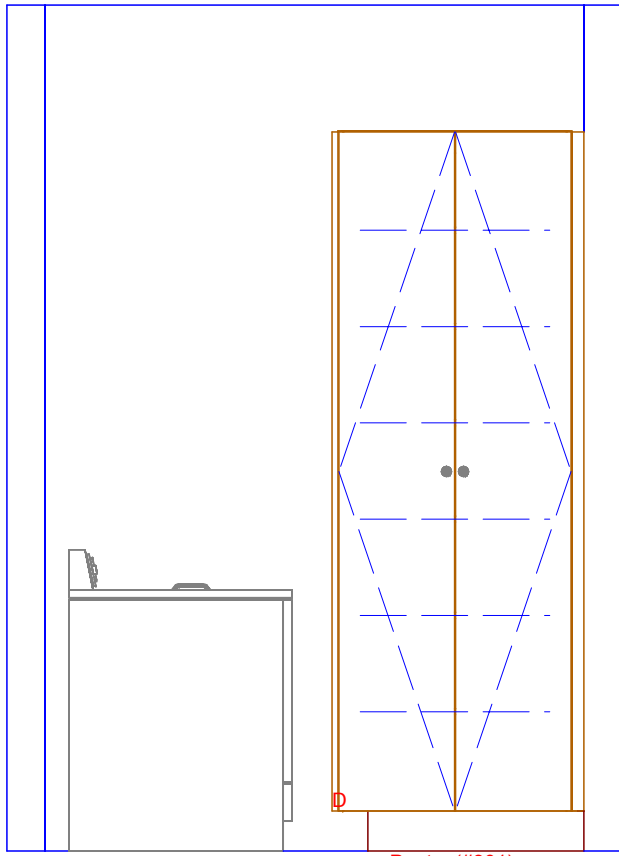


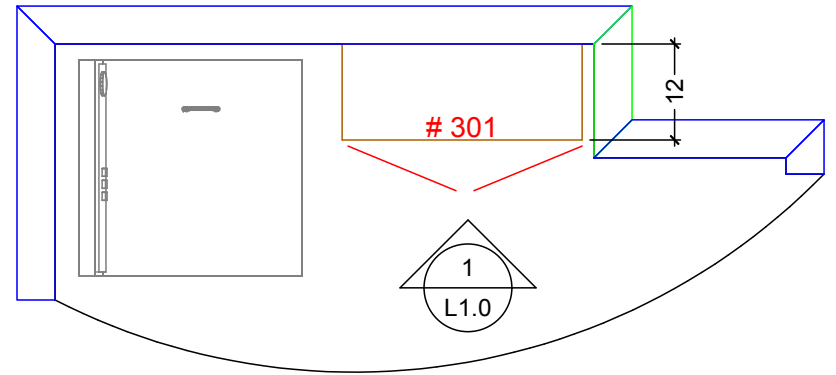
\* 105 3/4 \*  
 \* 5 \*  
 \* 100 3/4 \*  
 \* 5 \*  
 \* 85 \*  
 \* 15 3/4 \*



Pantry (#301)

\* 35 7/8 \*  
 \* 30 \*  
 \* 1 1/2 \*  
 \* 67 3/8 \*

1 LAUNDRY 01 ELEVATION  
 SCALE: 1/2" = 1' 0"



LAUNDRY 01 CABINERY FLOOR PLAN  
 SCALE: 1/2" = 1' 0"

**Classic Bath Designs, Inc.**  
 11544 Sheldon St., Sun Valley, CA 91352  
 818.767.1144 fax: 818.767.1278



Cust: 1128 Ogden

PO# DWELLING

Scale: As Noted

LAUNDRY #01

Approved \_\_\_\_\_

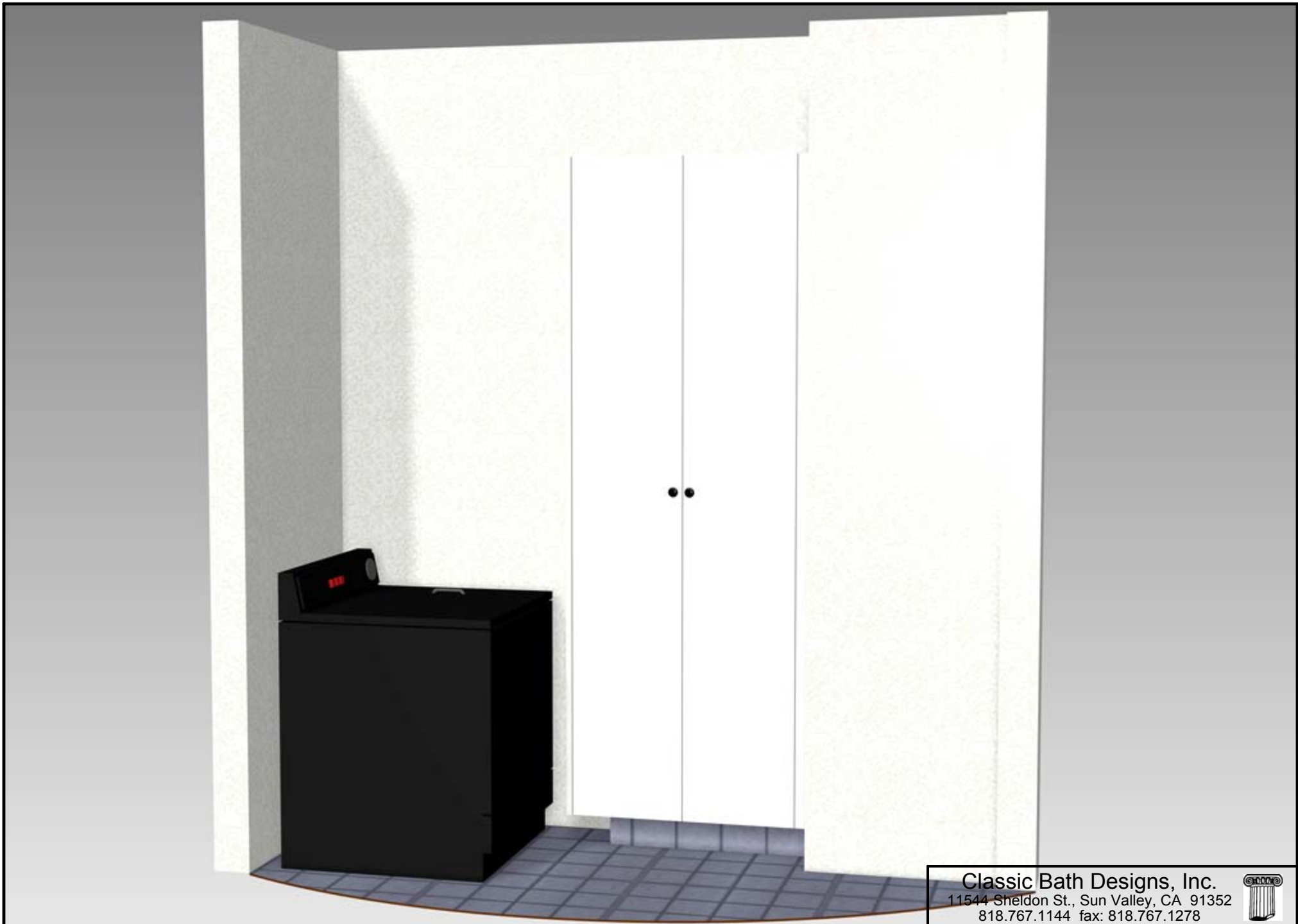
Job: FL-S\_POs\_PreFIN/PreFIN\_IntEB:PreFIN

Size: A

Dr By: Brian

03/31/2015

L1.0



**Classic Bath Designs, Inc.**  
 11544 Sheldon St., Sun Valley, CA 91352  
 818.767.1144 fax: 818.767.1278



Cust: 1128 Ogden	PO# DWELLING	Scale: As Noted	LAUNDRY #01	<b>Rndr</b>
Approved _____	Job: FL-S_POs_PreFIN/PreFIN_IntEB:PreFIN	<b>Size: A</b>	Dr By: Brian	