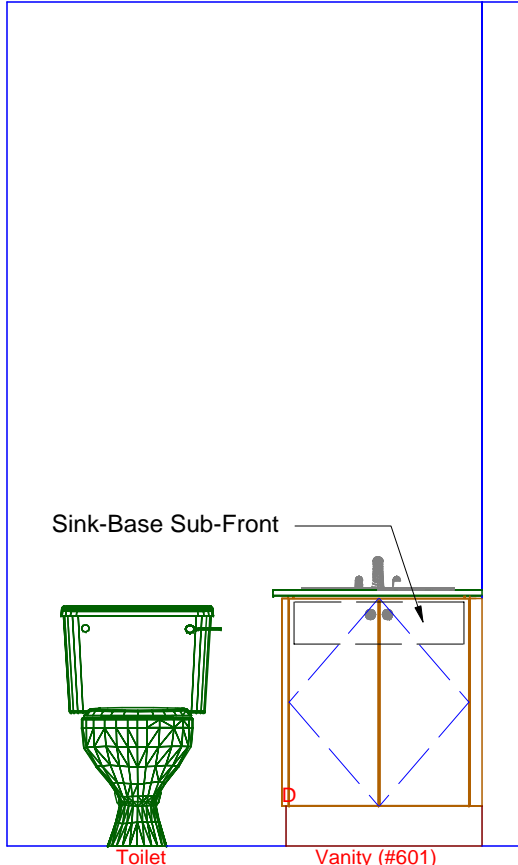
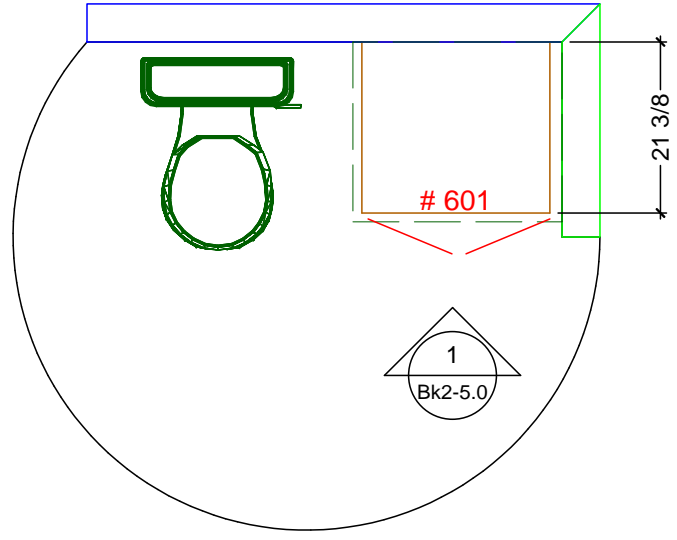


\*-----105 1/2-----\*  
 \*-----73 1/2-----\*  
 \*-----73 1/2-----\*  
 \*-----27-----\*  
 \*-----26 1/4-----\*  
 \*-----3/4-----\*



\*-----34 3/8-----\*  
 \*-----23 1/2-----\*\*  
 \*-----59 3/8-----\*  
 1 1/2

**1** BATH-KITCH 02-05 ELEVATION  
 SCALE: 1/2" = 1' 0"



**BATH-KITCH 02-05 CABINETRY FLOOR PLAN**  
 SCALE: 1/2" = 1' 0"

**Classic Bath Designs, Inc.**  
 11544 Sheldon St., Sun Valley, CA 91352  
 818.767.1144 fax: 818.767.1278



Cust: 1128 Ogden	PO# DWELLING	Scale: As Noted	BATH-Kitch_02-05	<b>Bk2-5.0</b>
Approved _____	Job: FL-S_POs_PreFIN/PreFIN_IntEB:PreFIN	Size: A	Dr By: Brian 04/12/2015	



**Classic Bath Designs, Inc.**  
 11544 Sheldon St., Sun Valley, CA 91352  
 818.767.1144 fax: 818.767.1278



Cust: 1128 Ogden

PO# DWELLING

Scale: As Noted

BATH-Kitch\_02-05

Approved \_\_\_\_\_

Job: FL-S\_POs\_PreFIN/PreFIN\_IntEB:PreFIN

Size: A

Dr By: Brian

04/12/2015

Rndr