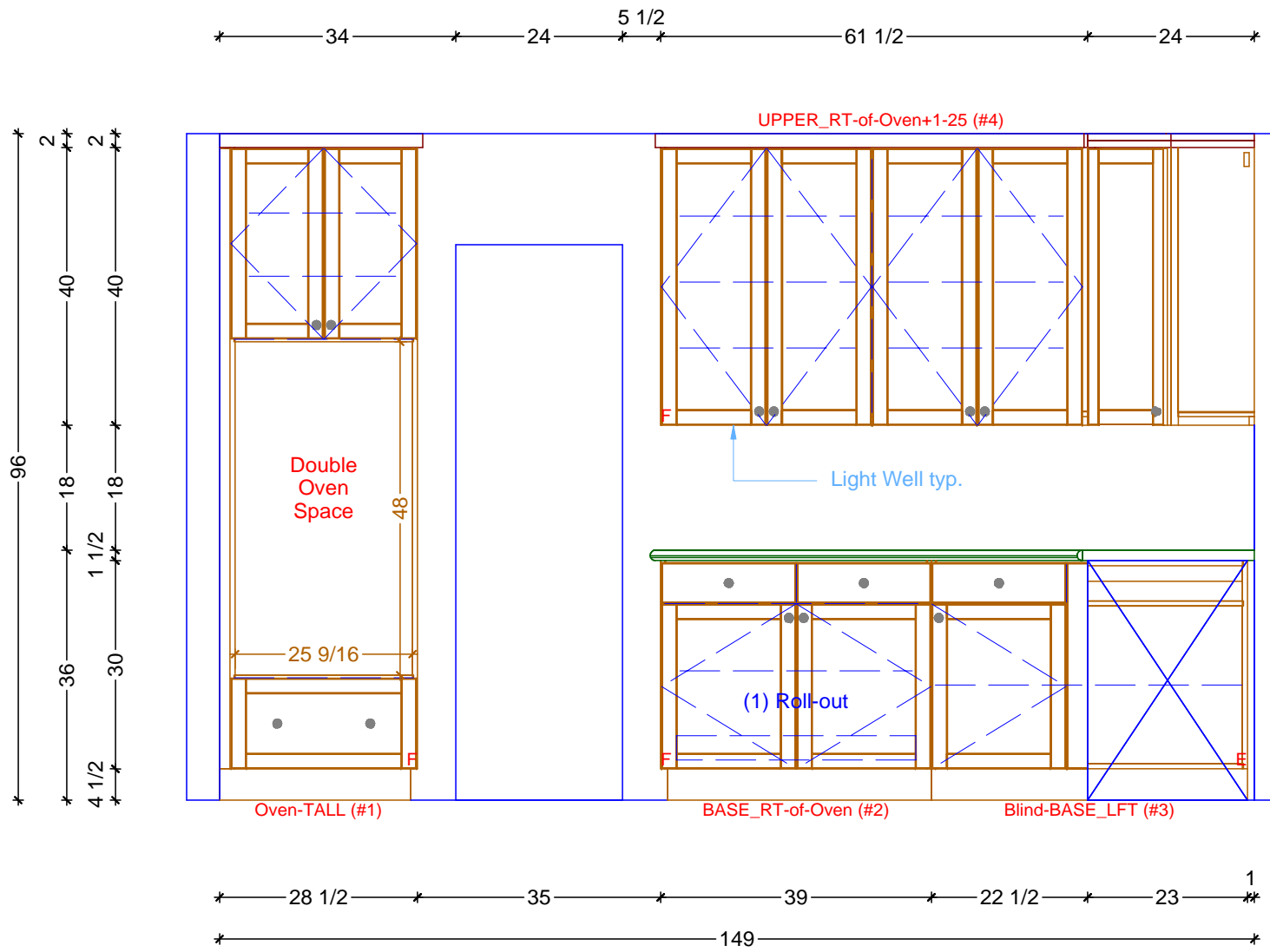


KITCHEN CABINETRY FLOOR PLAN
 SCALE: 3/8" = 1' 0"

Classic Bath Designs, Inc.
 11544 Sheldon St., Sun Valley, CA 91352
 818.767.1144 fax: 818.767.1278

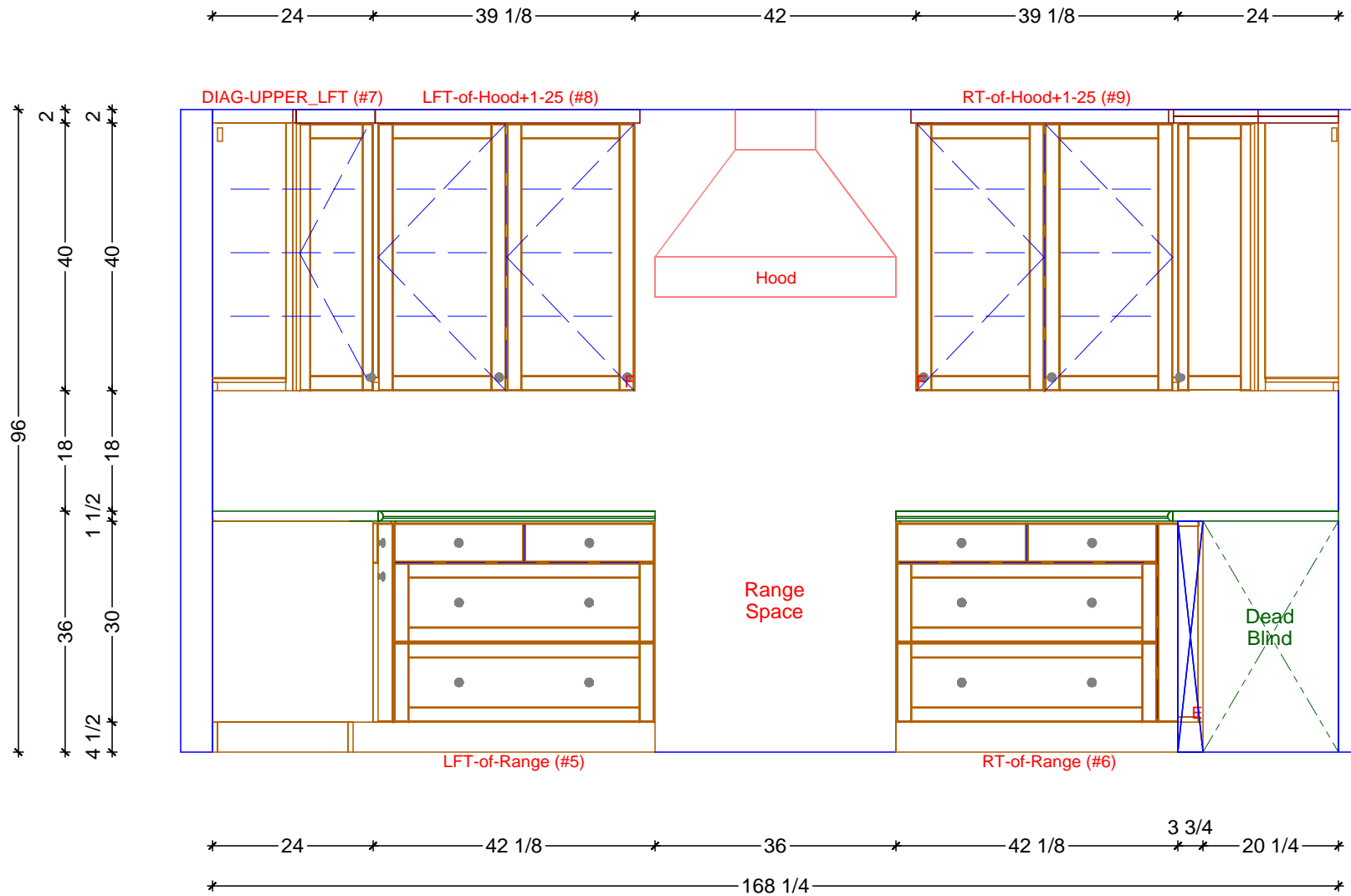
Cust: LaRoca	PO# DWELLING	Scale: As Noted	KITCHEN	K.0
Approved _____	Job: FL-S_PreFIN/PG_IntEB:PreFIN	Size: A	Dr By: Brian 08/15/2019	



1 KITCHEN ELEVATION - OVEN WALL
 SCALE: 1/2" = 1' 0"

Classic Bath Designs, Inc.
 11544 Sheldon St., Sun Valley, CA 91352
 818.767.1144 fax: 818.767.1278

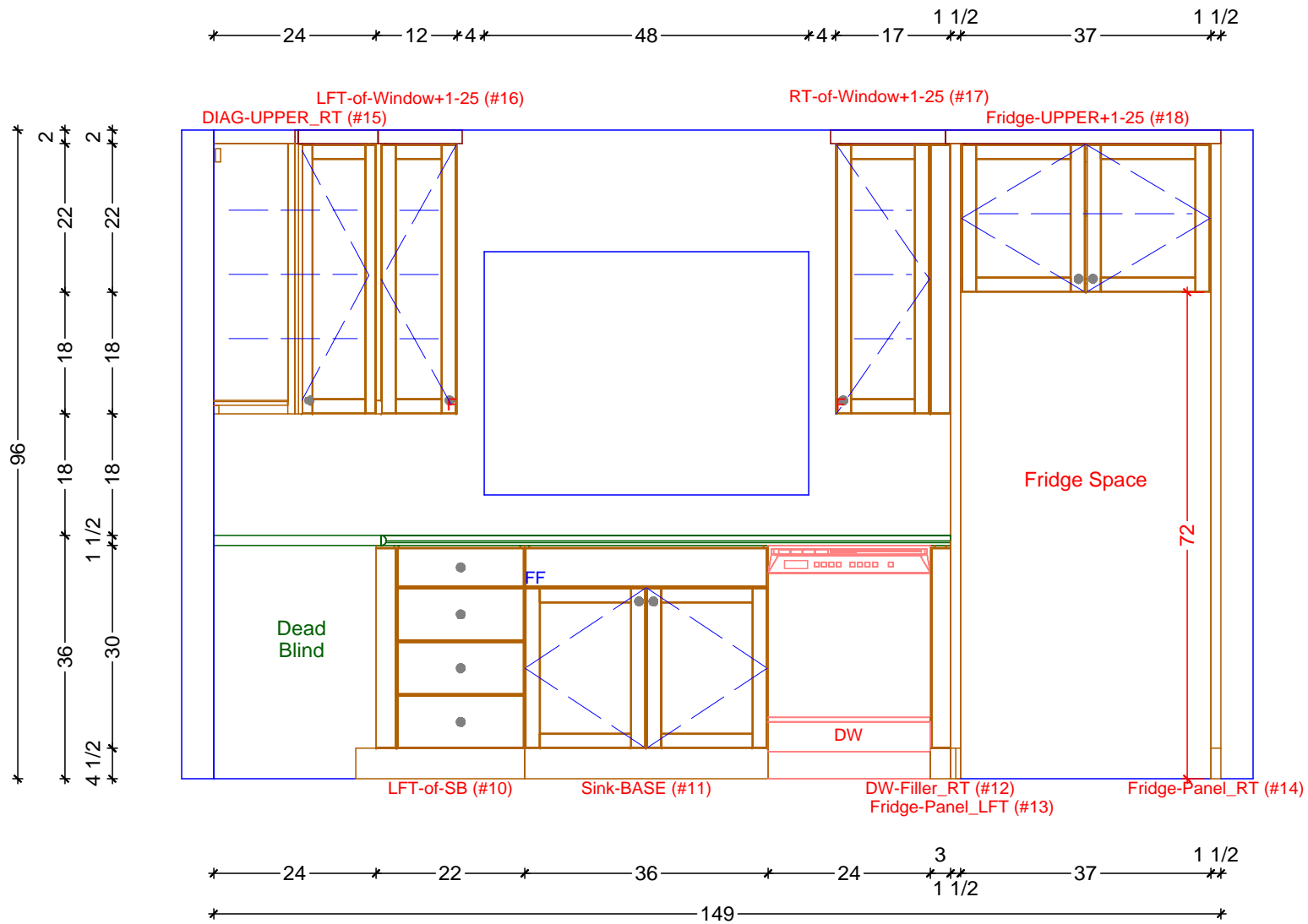
Cust: LaRoca	PO# DWELLING	Scale: As Noted	KITCHEN	K.1
Approved _____	Job: FL-S_PreFIN/PG_IntEB:PreFIN	Size: A	Dr By: Brian 08/15/2019	



1 KITCHEN ELEVATION - RANGE WALL
SCALE: 1/2" = 1' 0"

Classic Bath Designs, Inc.
 11544 Sheldon St., Sun Valley, CA 91352
 818.767.1144 fax: 818.767.1278

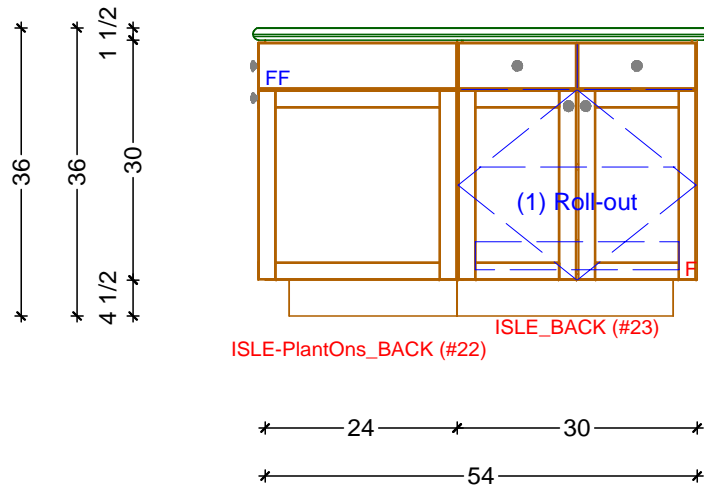
Cust: LaRoca	PO# DWELLING	Scale: As Noted	KITCHEN	K.2
Approved _____	Job: FL-S_PreFIN/PG_IntEB:PreFIN	Size: A	Dr By: Brian 08/15/2019	



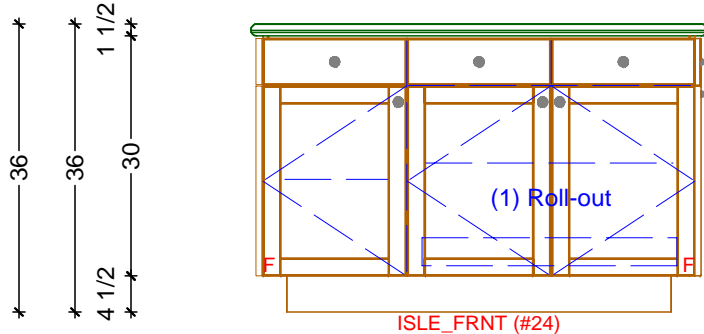
1 KITCHEN ELEVATION - SINK WALL
 SCALE: 1/2" = 1' 0"

Classic Bath Designs, Inc.
 11544 Sheldon St., Sun Valley, CA 91352
 818.767.1144 fax: 818.767.1278

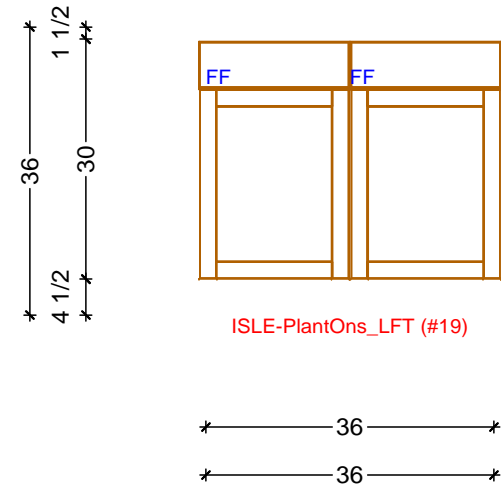
Cust: LaRoca	PO# DWELLING	Scale: As Noted	KITCHEN	K.3
Approved _____	Job: FL-S_PreFIN/PG_IntEB:PreFIN	Size: A	Dr By: Brian 08/15/2019	



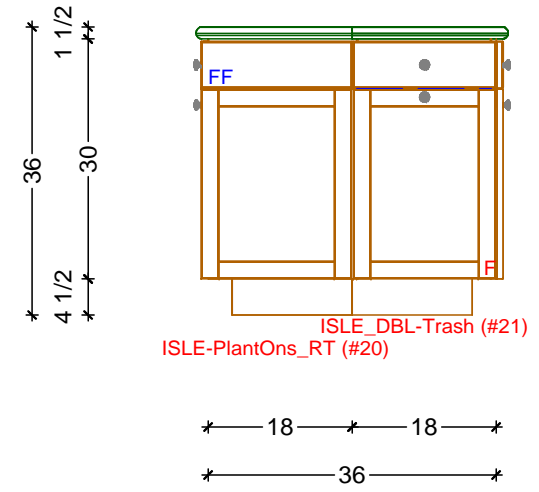
1 KITCHEN ELEVATION - ISLE FRONT
SCALE: 1/2" = 1' 0"



3 KITCHEN ELEVATION - ISLE BACK
SCALE: 1/2" = 1' 0"



2 KITCHEN ELEVATION - ISLE LEFT
SCALE: 1/2" = 1' 0"



4 KITCHEN ELEVATION - ISLE RIGHT
SCALE: 1/2" = 1' 0"

Classic Bath Designs, Inc.
11544 Sheldon St., Sun Valley, CA 91352
818.767.1144 fax: 818.767.1278

Cust: LaRoca	PO# DWELLING	Scale: As Noted	KITCHEN	K.4
Approved _____	Job: FL-S_PreFIN/PG_IntEB:PreFIN	Size: A	Dr By: Brian 08/15/2019	



Classic Bath Designs, Inc.
 11544 Sheldon St., Sun Valley, CA 91352
 818.767.1144 fax: 818.767.1278



Cust: LaRoca	PO# DWELLING	Scale: As Noted	KITCHEN	Rndr
Approved _____	Job: FL-S_PreFIN/PG_IntEB:PreFIN	Size: A	Dr By: Brian	



Classic Bath Designs, Inc.
 11544 Sheldon St., Sun Valley, CA 91352
 818.767.1144 fax: 818.767.1278



Cust: LaRoca	PO# DWELLING	Scale: As Noted	KITCHEN	Rndr
Approved _____	Job: FL-S_PreFIN/PG_IntEB:PreFIN	Size: A	Dr By: Brian	



Classic Bath Designs, Inc.
 11544 Sheldon St., Sun Valley, CA 91352
 818.767.1144 fax: 818.767.1278



Cust: LaRoca	PO# DWELLING	Scale: As Noted	KITCHEN	Rndr
Approved _____	Job: FL-S_PreFIN/PG_IntEB:PreFIN	Size: A	Dr By: Brian	



Classic Bath Designs, Inc.
 11544 Sheldon St., Sun Valley, CA 91352
 818.767.1144 fax: 818.767.1278



Cust: LaRoca	PO# DWELLING	Scale: As Noted	KITCHEN	Rndr
Approved _____	Job: FL-S_PreFIN/PG_IntEB:PreFIN	Size: A	Dr By: Brian	