

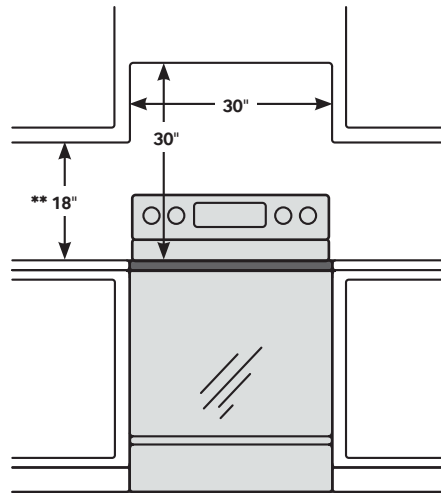
NX58F5500SS

Gas Range

Installing Your Range

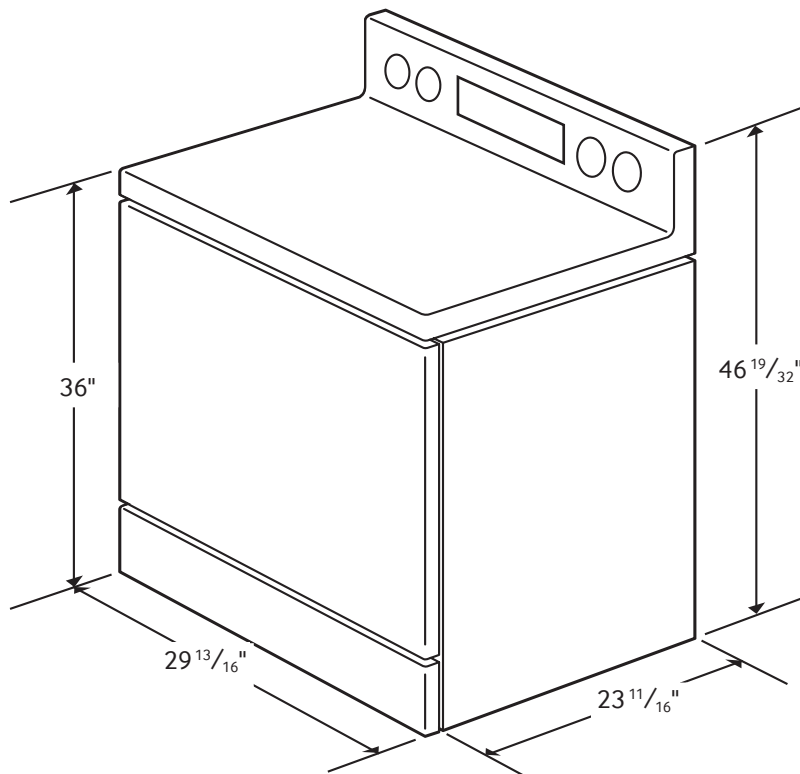
30" minimum clearance between the top of the cooking surface and the bottom of an unprotected wood or metal cabinet; or 24" minimum when the bottom of the wood or metal cabinet is protected by not less than 1/4" flame retardant millboard covered with not less than no.28 MSG sheet steel, 0.015" stainless steel, 0.024" aluminum or 0.020" copper.

** 18" minimum between the countertop and the adjacent cabinet bottom.



IMPORTANT: To eliminate the risk of burns or fire caused by reaching over heated surface units, cabinet storage space located above the surface units should be avoided. If cabinet storage is to be provided, the risk can be reduced by installing a range hood that projects horizontally a minimum of 5" beyond the bottom of the cabinets.

Dimensions



Total Power (BTU)
53K

Black Enamel 5 Burner Cooktop (BTU)

- Right Front: 17K
- Left Front: 12K
- Right Rear: 5K
- Left Rear: 9.5K
- Center (Oval): 9.5K

Oven

- Capacity: 5.8 cu. ft.
- Bake: 150°F - 550°F
- Variable Broil: 375°F - 480°F
- Sabbath Mode

Storage Drawer

Capacity: 0.7 cu. ft.

Warranty

One (1) Year All Parts and Labor

Product Dimensions & Weight (WxHxD)

Outside Dimensions:
29¹³/₁₆" x 46¹⁹/₃₂" x 23¹¹/₁₆"

Weight: 188 lbs.

Shipping Dimensions & Weight (WxHxD)

Dimensions:
32⁷/₈" x 50⁹/₁₆" x 30¹/₈"

Weight: 210 lbs.

Color	Model #	UPC Code
Stainless Steel	NX58F5500SS	887276982632
Stainless Steel/White	NX58F5500SW	887276982625
Stainless Steel/Black	NX58F5500SB	887276982618

SAMSUNG