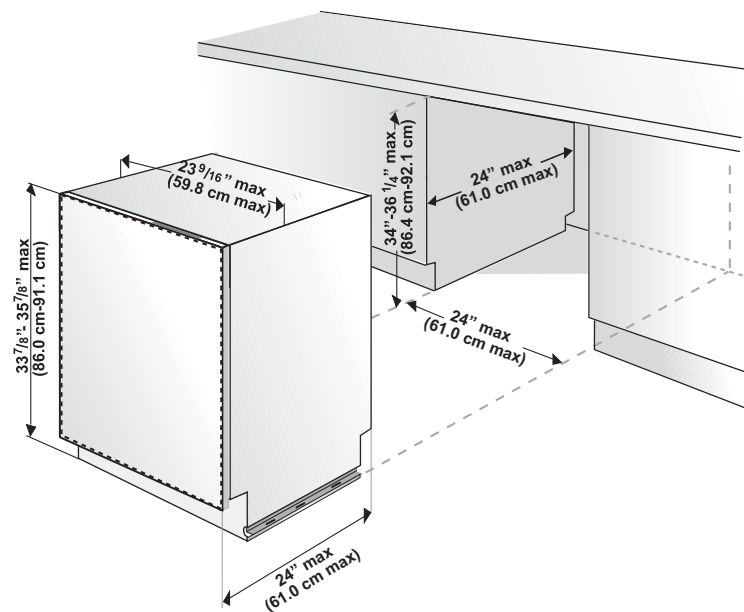


Specifications



Built-In Dishwasher	
Overall Width	23-9/16" (59.8 cm)
Overall Height from Floor	33-7/8 (86.0 cm) min. to 35-7/8" (91.1 cm) max.
Overall Depth from Rear	without door panel – 21 5/8" (54.9 cm) with door panel – 22 3/16" (156.4 cm)
Cutout Width	24" (61.0 cm)
Cutout Height	34" (86.4 cm) min. to 36" (91.4 cm) max.
Cutout Depth	24" (61.0 cm)
Electrical Requirements	12.0 amps, 120V/60 Hz; 4' (1.2 m) electrical cord supplied with unit
Water-Heating Element Rating	1240 watts
Inlet Water Temperature	120°F (49°C) required
Inlet Water Pressure Operating Range	4.35 to 145 psi (.3 - 10 bar)
Inlet Water Hose	Minimum 3/8" OD copper tubing or braided metal water line required.
Drain Hose	6.4' (1.9 m) drain hose provided
Drain Hose High Loop Required	Height from floor – 28" (71.1 cm)
Approximate Shipping Weight	97 lbs. (44 kg)

NOTICE

Because we continually strive to improve our products, we may change our specifications and design without prior notice. This device corresponds to the following directives: UL 749 Household Dishwasher Directive.

Enclosure Preparation

Electrical Preparation

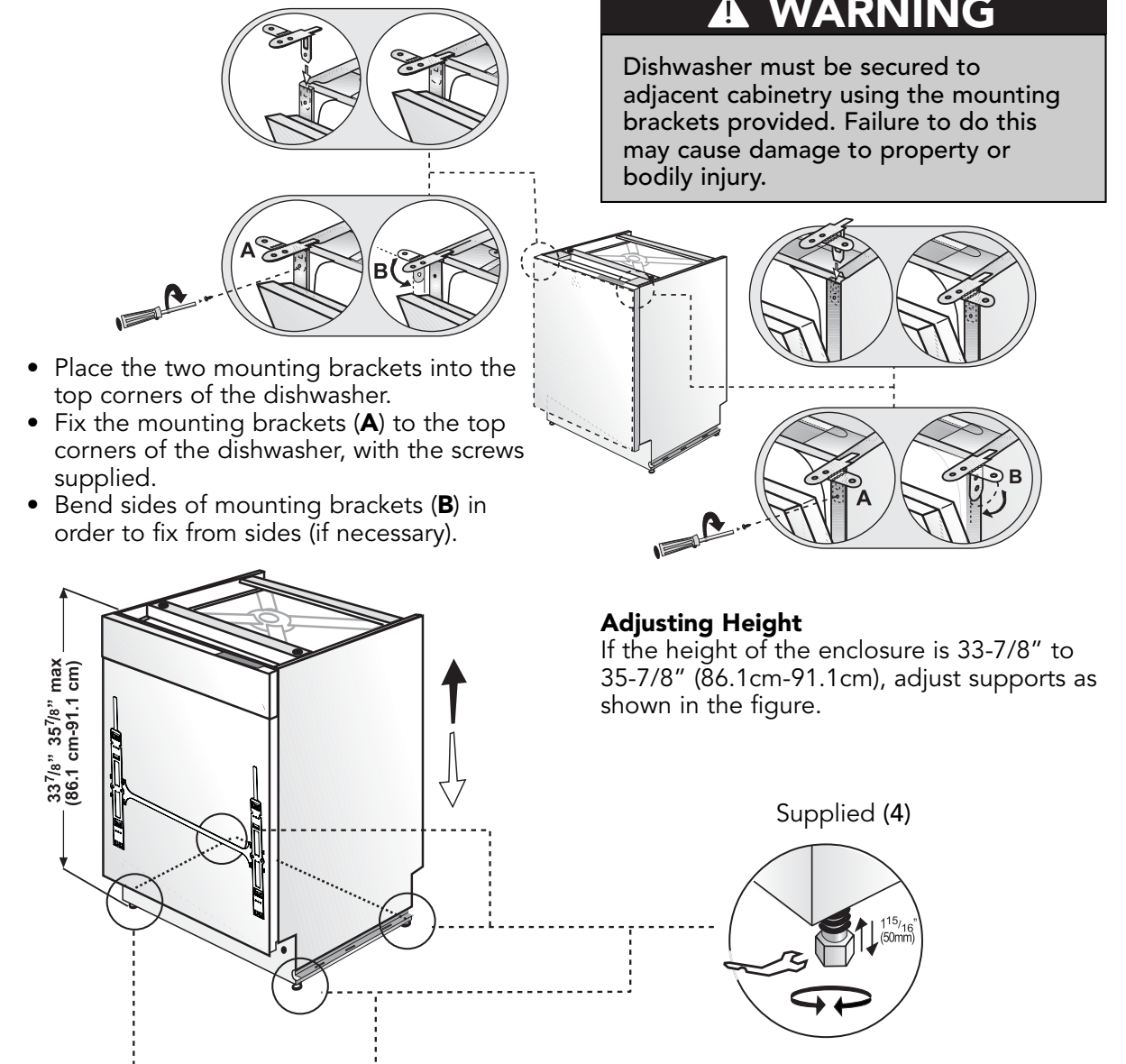
WARNING

The dishwasher is designed for an electrical supply of 120V, 60Hz, AC, connected to a dishwasher-dedicated, properly grounded electrical circuit with a fuse or breaker rated for 15 amperes.

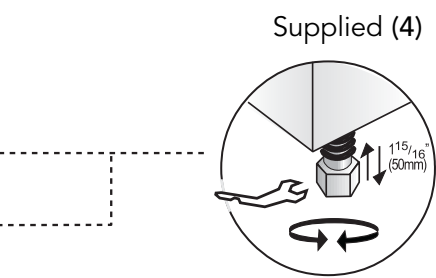
Preparation for Installing Mounting Brackets

WARNING

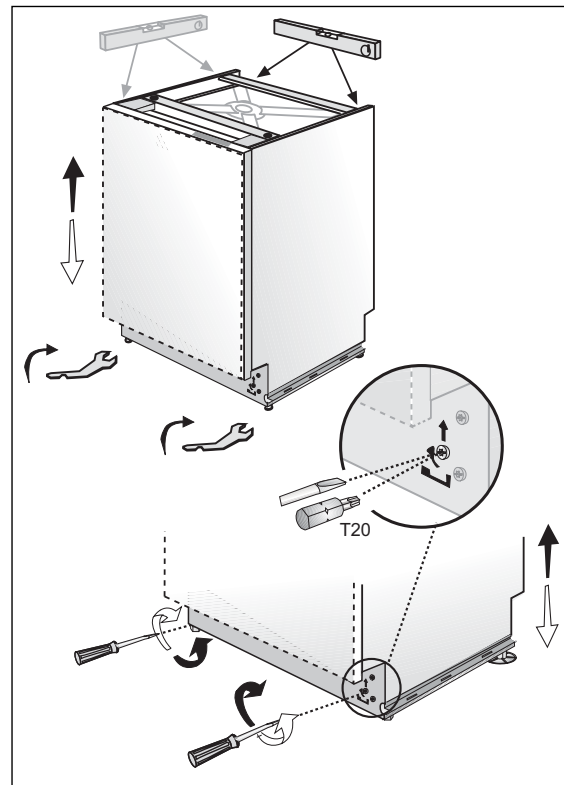
Dishwasher must be secured to adjacent cabinetry using the mounting brackets provided. Failure to do this may cause damage to property or bodily injury.



Adjusting Height
If the height of the enclosure is 33-7/8" to 35-7/8" (86.1cm-91.1 cm), adjust supports as shown in the figure.



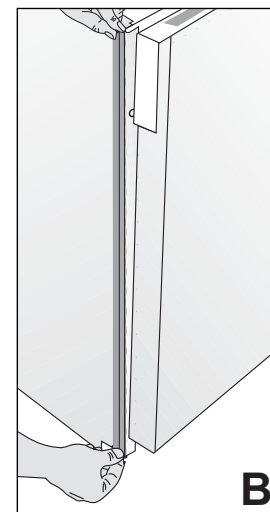
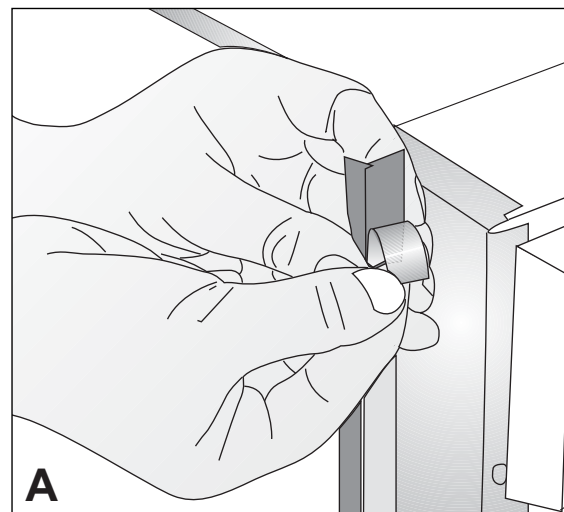
Enclosure Preparation



- Adjust the front foot level with the adjusting wrench to balance and raise the dishwasher to the enclosure height.
- Adjust the rear foot level with a screwdriver to balance and raise the dishwasher to the enclosure height.

⚠ NOTICE

- Make sure the dishwasher is plumb and notice dishwasher can be placed with a small clearance under the counter top.
- Turning the screwdriver in the direction of the black arrows will bring the dishwasher back feet up.
- Turning the screwdriver in the direction of the white arrows will take the dishwasher rear feet down.



Installing the Side Trim Strips

- Remove the adhesive tape (Figure A).
- Place the trim strips on the front edge of the side walls (Figure B).

⚠ NOTICE

Make sure you use the correct trim strip since there is a left and a right side strip. The flexible material should be facing forward (Figure B).

Installation Preparation

Preparing the Water Connection (A)

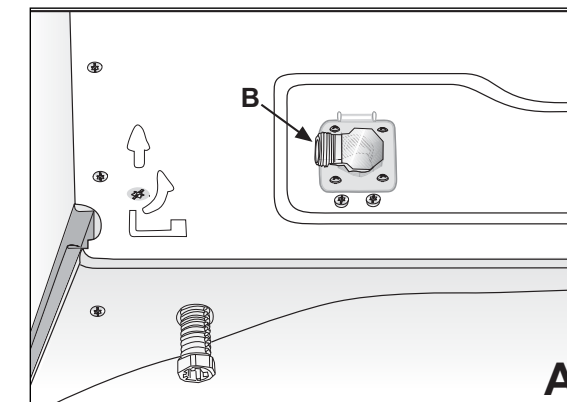
- Install an easily accessible shut-off valve (not supplied) in the water supply line. All solder connections must be made before the water line is connected to the dishwasher's water inlet valve. Water can also be supplied to the dishwasher by using a flexible braided hose line.
- Check with your plumbing supply sources for the proper hose and 90° elbow and necessary fittings for the water supply line. This material is not supplied and must be purchased separately.

⚠ WARNING

Installation should be performed by a qualified installer. Work by unqualified persons could be dangerous and may void the warranty.

If the dishwasher is installed in a location that experiences freezing temperatures (e.g. in a vacation home, cabin, etc.), you must drain all the water from the dishwasher's interior. Water system ruptures that occur as a result of freezing are not covered by warranty.

Installing the 90° Elbow Fitting (B)



⚠ CAUTION

Do not overtighten the 90° elbow. Doing so may damage the water inlet valve and cause a water leak.

If the water supply line is to be copper tubing, make certain that the elbow has a compression fitting. Apply Teflon tape or other pipe sealant when required. Orient the water supply connection downwards as shown in the figure so the water line can be easily pulled underneath or on the side of the dishwasher.

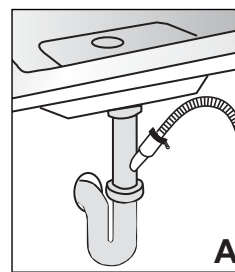
Installation Preparation

Drain Preparation

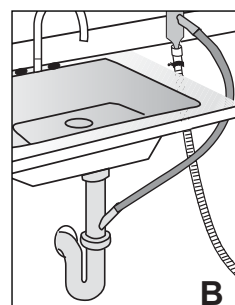
The dishwasher drain hose may be connected to the drain plumbing in one of three ways, (Figures **A**, **B**, **C**):

⚠ NOTICE

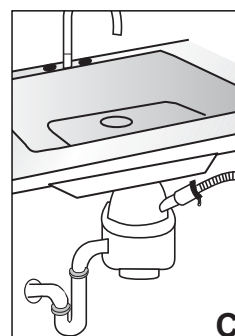
- Either one of the above methods must be used or the dishwasher will not operate properly.
- A hose that attaches to a sink spray can burst if it is installed on the same water line as the dishwasher. If your sink has one, it is recommended that the hose be disconnected and the hole plugged.
- The total length of the drain hose is 76-3/4" (1950mm). If a hose extension is required, a drainage hose of equal quality must be used.
- The maximum length must not exceed 157-1/2" (4000mm). Otherwise, the cleaning process is negatively influenced.



- Under the Sink Drain**
- Install a Y-branch tail pipe (Figure **A**).



- Installing an Air Gap**
- If the local ordinance requires an air gap (Figure **B**).



- Disposal**
- Remove the drain connection plug before attaching the drain hose from the dishwasher.
 - Every disposal has a hook-up for a dishwasher; consult your disposer manual for correct connection (Figure **C**).

⚠ NOTICE

You must add a loop at least 28" (71.1cm) above the floor of the cabinet and above the drain connection in the drain hose to prevent waste water from not draining properly and causing either poor washing results or a bad odor.

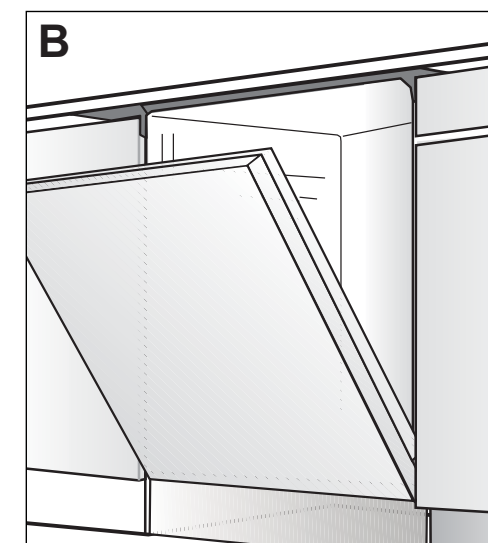
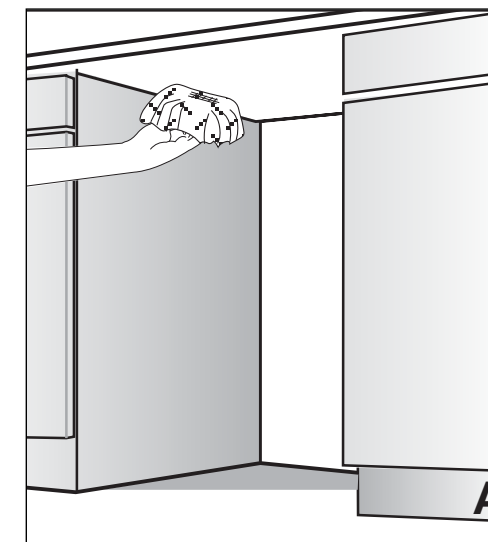
⚠ NOTICE

Check with local ordinance for type of air gap required.

Installation Preparation

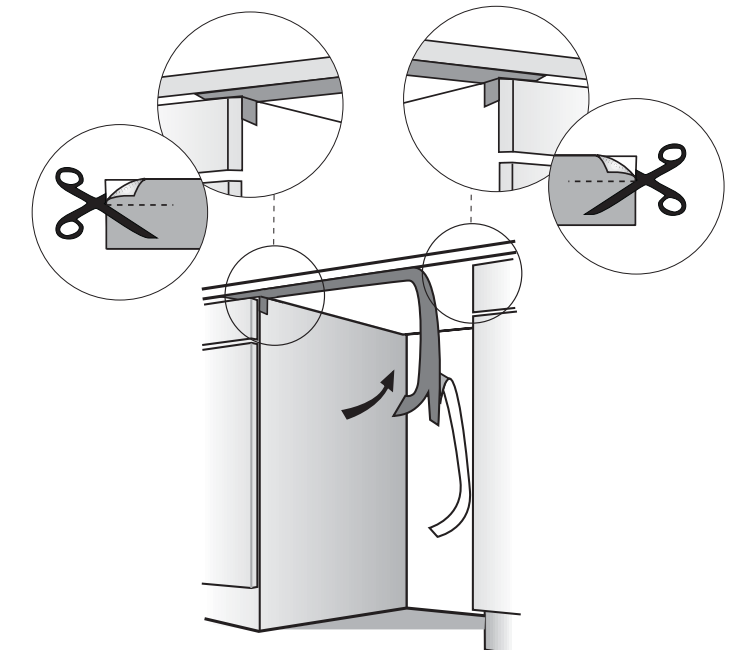
Steam Protection Foil

Steam will form inside the dishwasher during operation. At the end of the cycle, when the dishwasher door is opened, it is required to use a steam protection foil to prevent any steam from collecting on the underside of the countertop.



Fitting the Protection Foil

- Before applying the steam protection foil to the underside of the countertop, clean the area with a damp cloth (as shown in Figure **A**). Once the area dries, apply the steam protection foil.
- The steam protection foil will be applied at the location where the hot steam escapes when you first open the door (as shown in Figure **B**).



⚠ CAUTION

Steam protection foil must be applied where the steam escapes when door is first opened. **Failure to install the steam protection foil during installation can lead to damage to the cabinets and countertop.**

Installation

Electrical Connection

⚠ WARNING

- Make sure the voltage and frequency listed on the data plate correspond with the household electrical supply. This data must correspond to prevent injury and machine damage. Consult a qualified electrician if in doubt.
- Only connect the dishwasher to the mains when all installation and plumbing work is done.
- **DO NOT** use any extension cord or portable outlet device to connect the dishwasher to a power supply.
- The power-supply receptacle for the appliance shall be installed in a cabinet or on a wall adjacent to the undercounter space in which the appliance is to be installed.
- The access hole of the supply cord to the installation compartment must be smooth and rounded and it must be large enough for the attachment plug to pass through. The longest dimension of the opening shall not be more than 1.5" (35mm). If the partition is metal, it needs to be covered with an edge protector.
- Care must be taken when the appliance is installed or removed, to reduce the likelihood of damage to the power-supply cord.

Grounding Instructions

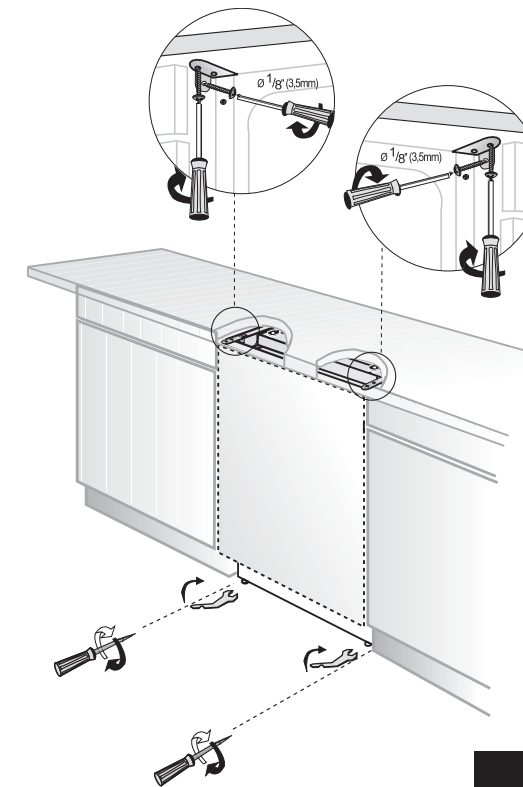
This appliance must be grounded. In the event of a malfunction or breakdown, grounding will reduce the risk of electrical shock by providing a path of least resistance for electrical current. This appliance is equipped with a cord having an equipment-grounding conductor and a grounding plug. The plug must be plugged into an appropriate outlet that is installed and grounded in accordance with all local codes and ordinances. This appliance must be connected to a grounded metal, permanent wiring system, or an equipment-grounding conductor must be run with the circuit conductors and connected to the equipment-grounding terminal or lead on the appliance.

⚠ WARNING

- Improper connection of the equipment-grounding conductor can result in a risk of electric shock. Check with a qualified electrician or service representative if you are in doubt whether the appliance is properly grounded. Do not modify the plug provided with the appliance; if it will not fit the outlet, have a proper outlet installed by a qualified electrician.

Installation

Readjusting Leveling Legs



Now that the dishwasher is in the cabinet, you must readjust the leveling legs to bring the dishwasher up to the required height and attach it underneath the countertop.

- Readjust the front leveling leg with adjusting wrench to balance the dishwasher and raise it up under the countertop; make sure the unit is level.
- Readjust the rear leveling leg with a screwdriver to balance the dishwasher and raise it to the required height using the brackets supplied.
- Attach the dishwasher underneath the countertop with the four screws supplied ($\varnothing 1/8" \times 1/8" - \varnothing 3.5\text{mm} \times 14\text{mm}$). Make sure you do not go through the top of the countertop or damage granite.

Adjusting the Movable Kickplate

Now that you have successfully installed the dishwasher, you need to attach the kickplate to the dishwasher. The two-piece kickplate can be adjusted to the height and depth needed for your kitchen. Be sure to use the slotted kickplate in the front and the other behind it. They slide into each other.

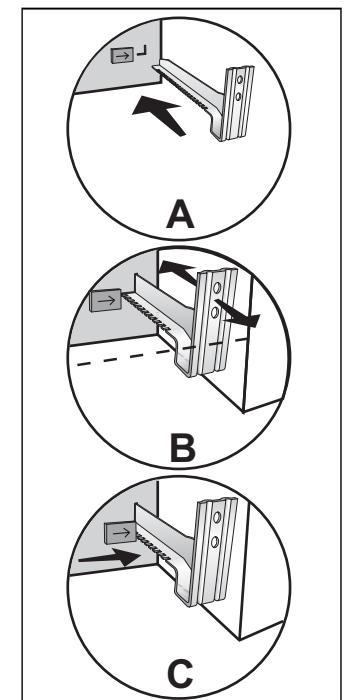
1. Insert the movable kickplate brackets into the channel (A).
2. Make sure that the plastic tab on the left of the "L" opening on the dishwasher has not closed the channel you will push the bracket through.

⚠ NOTICE

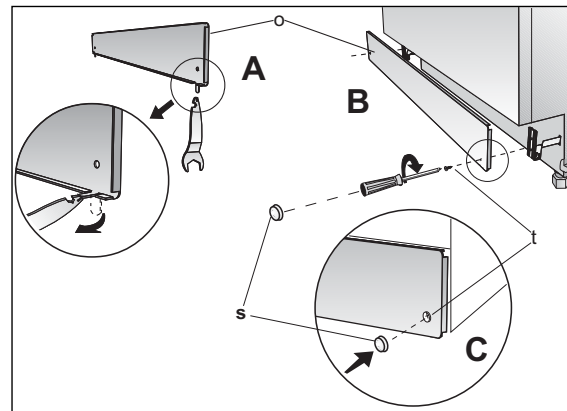
There is a left and a right bracket.

- Adjust the kickplate brackets forward or backwards so that they will align with the kitchen kickplate (B).
- Lock the kickplate brackets as shown with the plastic tab on the dishwasher into the teeth of the bracket (C).

3. Now attach the kickplate to the bracket with the two ($\varnothing 3/16" \times 1/4" - \varnothing 4\text{mm} \times 6\text{mm}$) screws and the caps provided as follows.



Installation

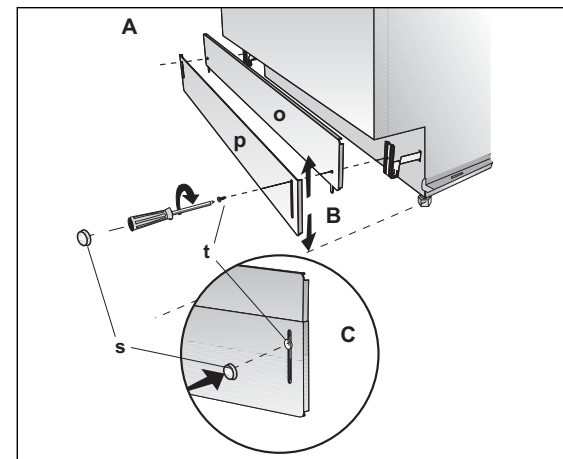


If the enclosure height is below 33-1/16" (84.0cm), use only (o) labeled kickplate (kickplate without slots). Installation should be done following the steps illustrated in the Figures **A**, **B**, and **C** respectively.

1. Bend tabs on kickplate (o) inwards (**A**).
2. Secure kickplate to brackets with screws (t) as shown in the supply bags (**B**).
3. Attach caps (s) as shown in the supply bags (**C**).

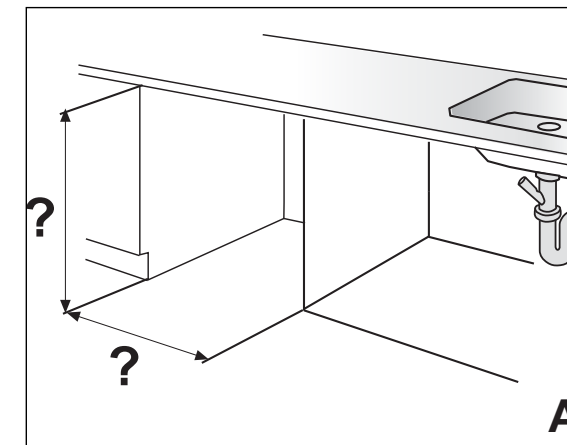
If the enclosure height is above 33-1/16" (84.0cm), use "o" and "p" labeled kickplates together. Make sure the slotted kickplate (p) is on the outside so you can adjust height of the kickplate. Installation should be done following the steps illustrated in the figures **A**, **B**, and **C** respectively.

1. Align the kickplate (o) and (p) (**A**).
2. Secure kickplates to brackets with screws (t) after adjusting the height of the slotted kickplate (p) (**B**).
3. Attach caps (s) as shown in the supply bags (**C**).



Installation

Installing a Custom Panel



Measure the height and width of the enclosure (Figure **A**) and the kickplate. Determine how big the wooden door can be. For example, if the height is 33-7/8" (86.0cm) and if the kickplate is 3-15/16" (10.0cm), the door can not be taller than 29-15/16" (76.0cm).

1. Prepare the wooden door with the mounting brackets.

Height:	Height of the wooden door
	30" (76.2cm)
Width:	23-1/4" to 23-1/2"
	(59.1cm to 59.7cm)
Thickness:	3/4" (1.9cm)

2. To take the plastic bracket out, first remove the screws located at the top and bottom of the bracket. Save the screws, they will be used in Step 5. (Figure **B**).

