



5 SERIES WALL HOODS – 18" HIGH

Viking Professional 5 Series – VWH

APPEARANCE AND DESIGN

- Backlit LED knobs extend and illuminate to control lighting level and fan speed, then fully retract when not in use
- Seamless design provides a refined finish to your kitchen
- Tough-box ventilator housing protects blower and quietly removes smoke and odor
- Quietest hood and ventilator combination in the industry
- Multi-speed ventilator control knob allows precise adjustment to desired fan speed
- Maintenance-free ventilators never need to be cleaned with the commercial-type hood filters doing the dirty work
- Cook with peace of mind as the built-in heat sensor activates the ventilator to full power if cooking temperatures reach uncomfortable levels
- Ventilators must be purchased separately and are available in internal, external, and in-line models (See Ventilation guide for compatibility) Must use Viking ventilator kits with Viking hoods

BRIGHT LED LIGHTING

- Dimmable lighting controls provide custom illumination for enhanced surface cooking visibility
- Long-life LED light bulbs are energy efficient and easily replaceable
- Heat lamps conveniently keep food warm until ready to serve (not available on Island Hoods)

EASY CLEANUP

- Commercial-type baffle filters efficiently remove heat and grease vapors from the air
- Stainless steel dishwasher-safe filters are easily removed for quick cleaning
- Low-profile filter system reduces interior hood space, leaving less surface to clean
- Removable trough collects liquefied grease for convenient disposal



INTERIOR, EXTERIOR, OR IN-LINE VENTILATORS

- Wall and island hoods
 - Interior-power ventilator kits – 300 CFM (VINV300), 600 CFM (VINV600), or 1,200 CFM (VINV1200)
 - Exterior-power ventilator kits – 900 CFM (DEV900), 1,200 CFM (DEV1200), or 1,500 CFM (DEV1500)
 - In-line-power ventilator kits – 900 CFM (DIL900) or 1,200 CFM (DIL1200)
 - See specification chart for compatibility
- One ventilator, one duct run for any size hood/ventilator

MODEL NUMBERS

- VWH53048 – 30"W. Wall Hood
- VWH53648 – 36"W. Wall Hood
- VWH54248 – 42"W. Wall Hood
- VWH54848 – 48"W. Wall Hood
- VWH56048 – 60"W. Wall Hood

ACCESSORIES

- DCW30 – Wall Hood Duct Cover for 30" Hood
- DCW36 – Wall Hood Duct Cover for 36" Hood
- DCW42 – Wall Hood Duct Cover for 42" Hood
- DCW48 – Wall Hood Duct Cover for 48" Hood
- DCW60 – Wall Hood Duct Cover for 60" Hood
- WGP30 – Wall Hood Warming Shelf Panels for 30" Hood
- WGP36 – Wall Hood Warming Shelf Panels for 36" Hood
- WGP42 – Wall Hood Warming Shelf Panels for 42" Hood
- WGP48 – Wall Hood Warming Shelf Panels for 48" Hood
- WGP60 – Wall Hood Warming Shelf Panels for 60" Hood
- BKS30 – Wall Hood Backsplash for 30" Hood
- BKS36 – Wall Hood Backsplash for 36" Hood
- BKS42 – Wall Hood Backsplash for 42" Hood
- BKS48 – Wall Hood Backsplash for 48" Hood
- BKS60 – Wall Hood Backsplash for 60" Hood

COLOR FINISHES

- Available in seven exclusive color finishes
- Stainless Steel (SS), Black (BK), White (WH), Apple Red (AR), Burgundy (BU), Cobalt Blue (CB), Graphite Gray (GG)



WARRANTY

- 3-year full – complete product
- 90-day full – cosmetic parts such as glass, painted items and decorative items





5 SERIES WALL HOODS – 18" HIGH

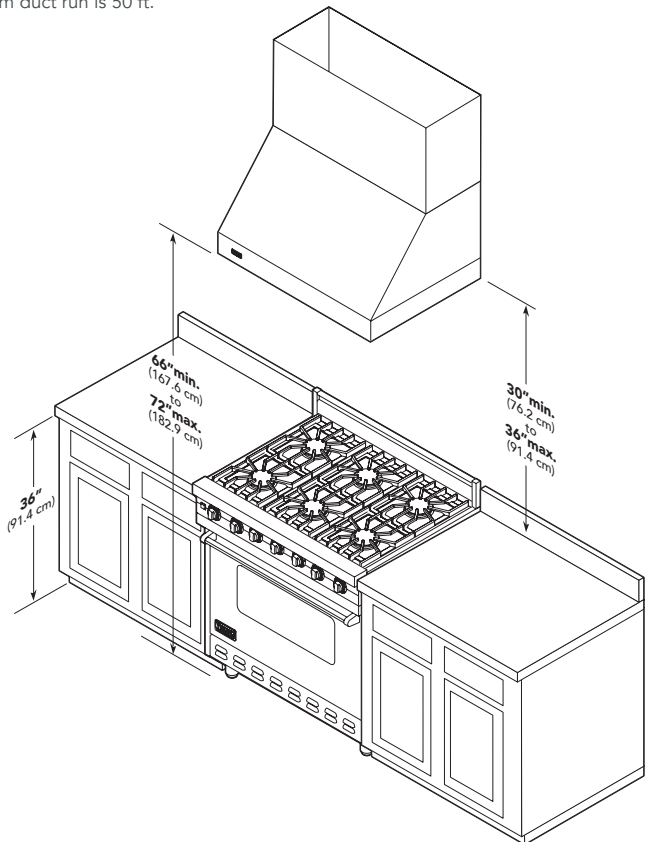
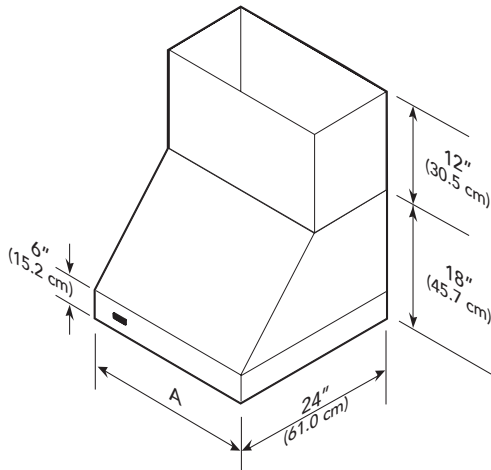
Viking Professional 5 Series – VWH

18" WALL HOODS					
DESCRIPTION	VWH53048	VWH53648	VWH54248	VWH54848	VWH56048
Overall/Duct Cover Width	29-7/8" (75.9 cm)	35-7/8" (91.1 cm)	41-7/8" (106.4 cm)	47-7/8" (121.6 cm)	59-7/8" (152.1 cm)
Overall Depth	24" (61.0 cm)				
Overall Height	18" (45.7 cm)				
Duct Cover Depth	12" (30.5 cm)				
Duct Cover Height	12" (30.5 cm)				
Heat Lamps	1	1	1	1	1
Interior Ventilator Kits	VINV300/600/1200	VINV300/600/1200	VINV600/1200	VINV1200*	VINV1200*
Exterior Ventilator Kits	DEV900/1200*	DEV900/1200*	DEV900/1200*	DEV1200*/1500**	DEV1200*/1500**
In-Line Ventilator Kits	DIL1200	DIL1200	DIL1200	DIL1200	DIL1200
Interior Duct Size	7"/10" (17.8/25.4 cm)			10" (25.4 cm)	
Exterior Duct Size	10" (24.5 cm)				
Interior—Maximum Amps	4.2/5.2/8.2		5.2/8.2	10.8	
Exterior—Maximum Amps	8.0/5.3			7.8/8.5	
In-Line—Maximum Amps	5.3/7.2			9.6	10.0

Please do not prepare installation from brochure data only. See installation instructions for important clearance/installation information.

** Disregard when using recirculating kits. 460 CFM blower is shipped with hood. Maximum duct run is 50 ft.

	A (Hood width)
30"W.	29-7/8" (76.2 cm)
36"W.	35-7/8" (91.1 cm)
42"W.	41-7/8" (106.4 cm)
48"W.	47-7/8" (121.6 cm)
60"W.	59-7/8" (152.1 cm)



VIKING RANGE, LLC 111 FRONT STREET GREENWOOD, MISSISSIPPI 38930 USA

For detailed product information, model numbers, or to request a quote call 1-888-845-4641 or visit vikingrange.com

© 2014 Viking Range, LLC All rights reserved. Specifications subject to change without notice.