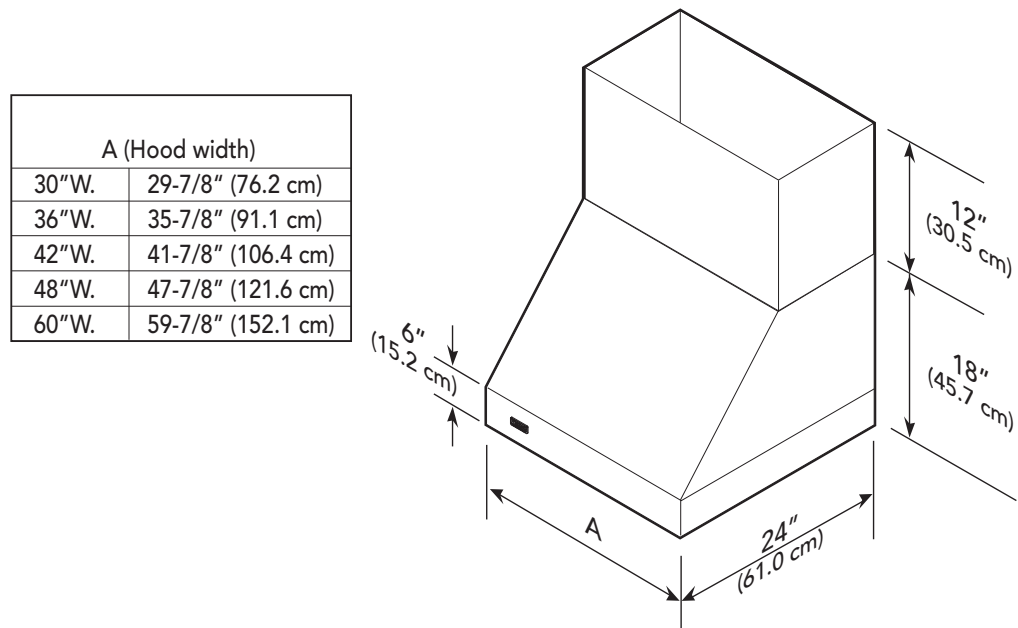


# Dimensions & Specifications

(VWH 18"H. 24" Deep Wall Hoods 30", 36", 42", 48", & 60")



A (Hood width)	
30"W.	29-7/8" (76.2 cm)
36"W.	35-7/8" (91.1 cm)
42"W.	41-7/8" (106.4 cm)
48"W.	47-7/8" (121.6 cm)
60"W.	59-7/8" (152.1 cm)

NOTE: Optional duct cover sold separately.

VWH 18"H. Wall Hoods					
Description	30"	36"	42"	48"	60"
Duct cover width	29-7/8" (75.9 cm)	35-7/8" (91.1 cm)	41-7/8" (106.4 cm)	47-7/8" (121.6 cm)	59-7/8" (152.1 cm)
Duct cover depth	12" (30.5 cm)				
Duct cover height	12" (30.5 cm)				
Number of filters	2	2	2	3	4
Heat lamps	1	1	1	2	3
Interior ventilator kits	VINV300/ 600/1200	VINV300/ 600/1200	VINV600/ 1200	VINV1200*	VINV1200*
Exterior ventilator kits	DEV900/ 1200*	DEV900/ 1200*	DEV900/ 1200*	DEV1200*/ 1500**	DEV1200*/ 1500**
In-line ventilator kits	DIL1200	DIL1200	DIL1200	DIL1200	DIL1200
Interior duct size	7"/10" (17.8/25.4 cm)	7"/10" (17.8/25.4 cm)	7"/10" (17.8/25.4 cm)	10" (25.4 cm)	10" (25.4 cm)
Exterior duct size	10" (24.5 cm)				
Interior—Maximum amps	4.2/5.2/8.2	4.2/5.2/8.2	5.2/8.2	10.8	10.8
Exterior—Maximum amps	8.0/5.3	8.0/5.3	8.0/5.3	7.8/8.5	7.8/8.5
In-Line—Maximum amps	5.3/7.2	5.3/7.2	5.3/7.2	9.6	10.0

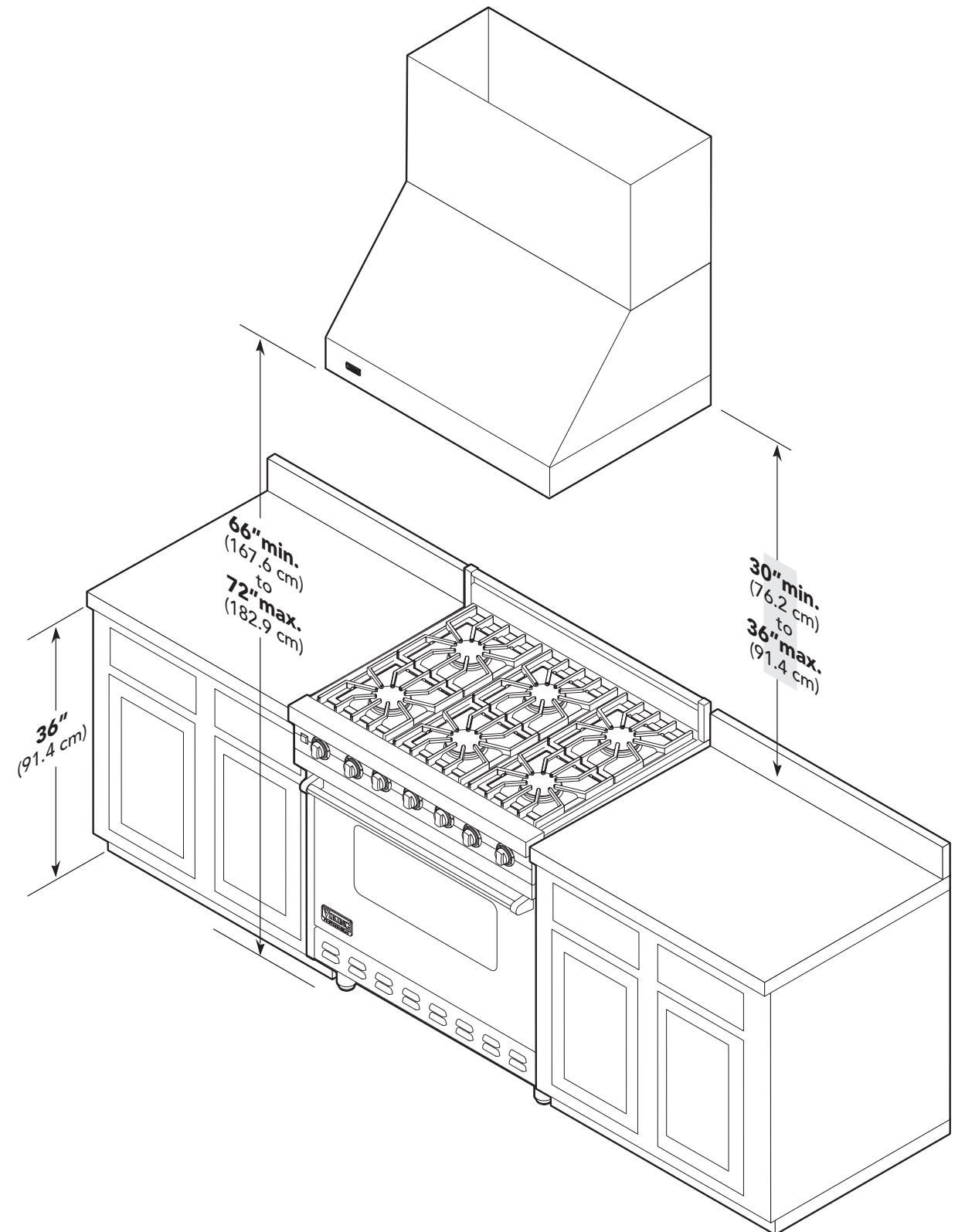
\* A 1,200 CFM interior- or exterior-power ventilator should be used when installed over range/range-top with gas charcoal grill. Max duct run is 50 ft (15.2 m).

\*\* It is recommended that the 1,500 CFM ventilator be used with longer duct runs. Max duct run is 75 ft (22.9 m)

NOTE: Maximum amp rating for hoods includes recommended ventilator kit rating; All products must be hard wired with 2-wire with ground. An interior- or exterior-power ventilator kit must be purchased for installation with all 18"H. hoods.

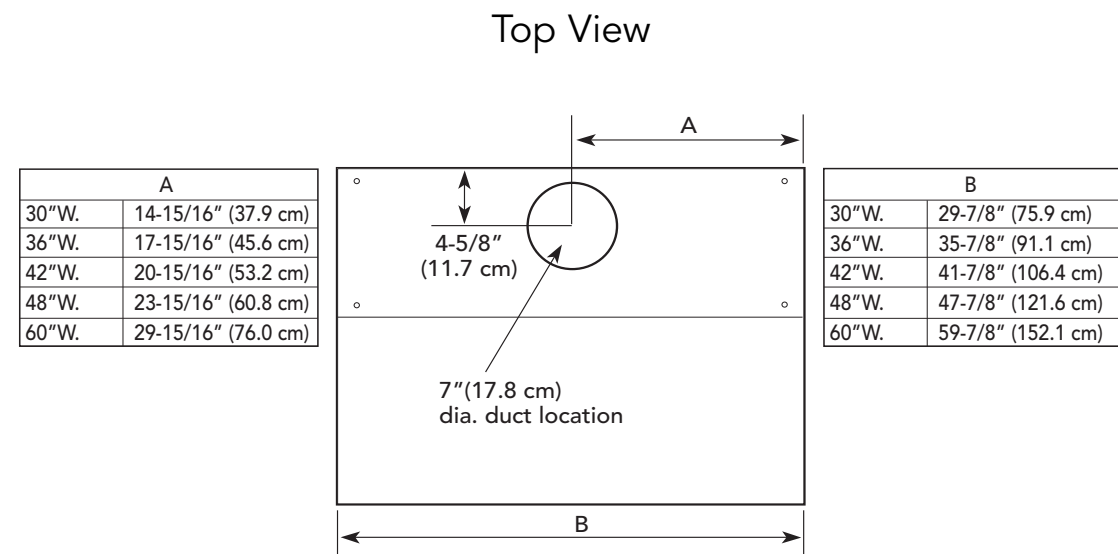
# Clearance Dimensions

(VWH 18"H. Wall Hoods)

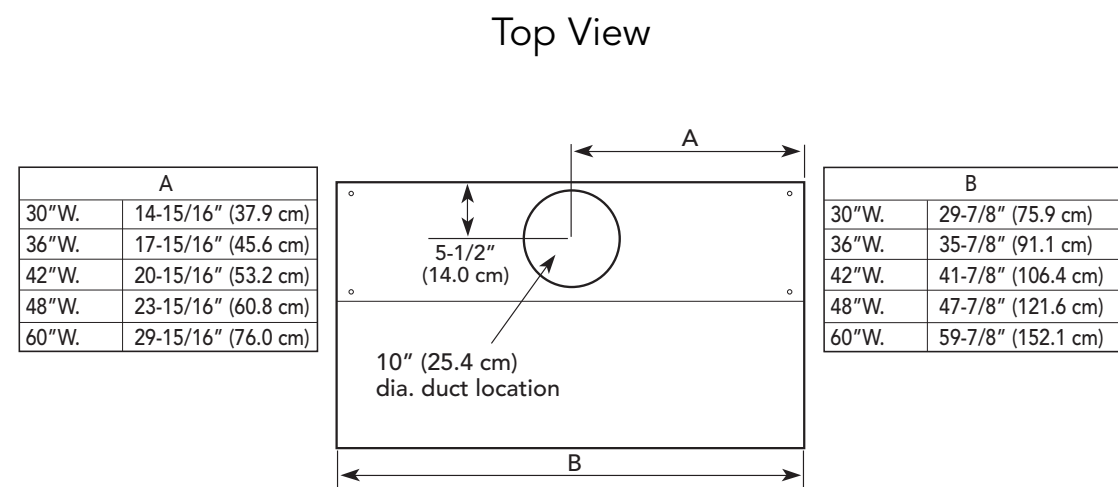


# Interior Ventilator Dimensions

(VWH 18"H. Wall Hoods)



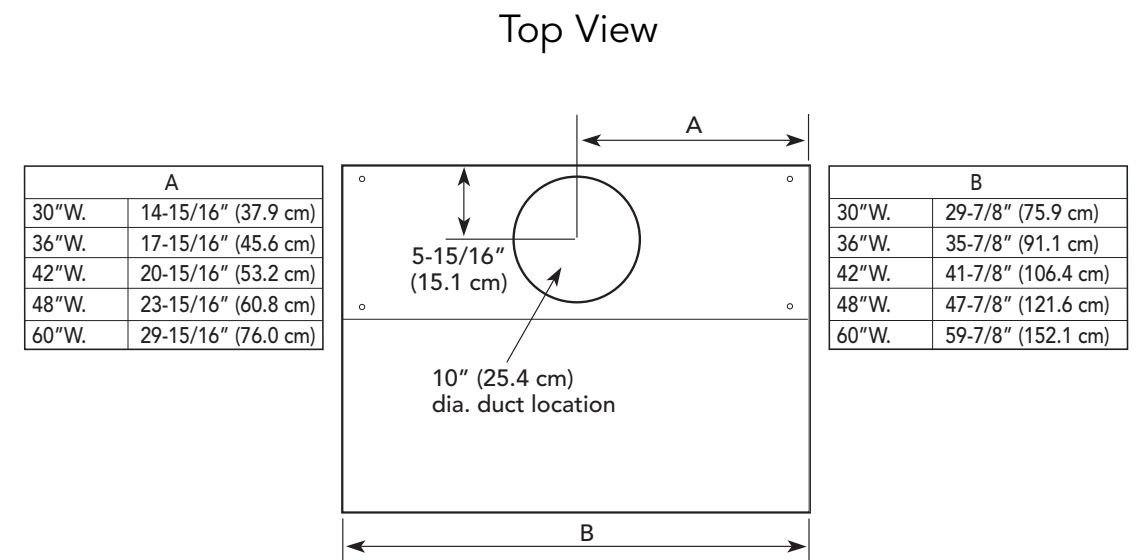
300 or 600 CFM Interior Ventilator Installation for all Wall Hoods



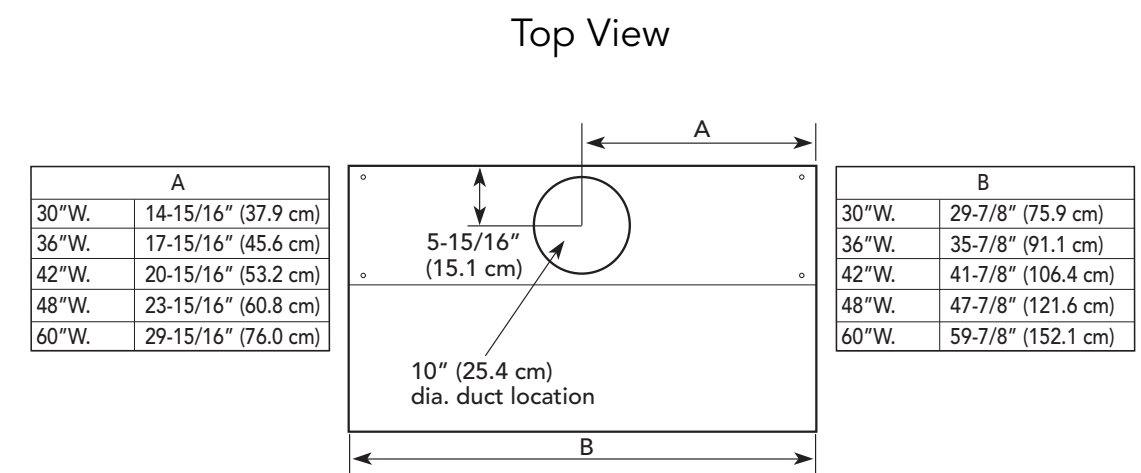
1200 CFM Interior Ventilator Installation for all Wall Hoods

# Exterior Ventilator Dimensions

(VWH 18"H. Wall Hoods)



900 or 1200 CFM Exterior or In-Line Ventilator Installation for all Wall Hoods



1200 or 1500 CFM Exterior or In-Line Ventilator Installation for all Wall Hoods