

IMPORTANT— Please Read and Follow

⚠ WARNING
DO NOT use the handle or oven door to lift the oven. Remove door before installation to ensure that it is not used to lift the unit. See installation section for door removal.

⚠ WARNING
 The misuse of the oven door(s) (e.g. stepping, sitting, or leaning on them) can result in hazards or injuries and damage to the product.

⚠ WARNING
ELECTRICAL GROUNDING INSTRUCTIONS
 This oven must be electrically grounded in accordance with local codes or, in the absence of local codes, with the National Electrical Code, ANSI/NFPA-70 – latest edition.

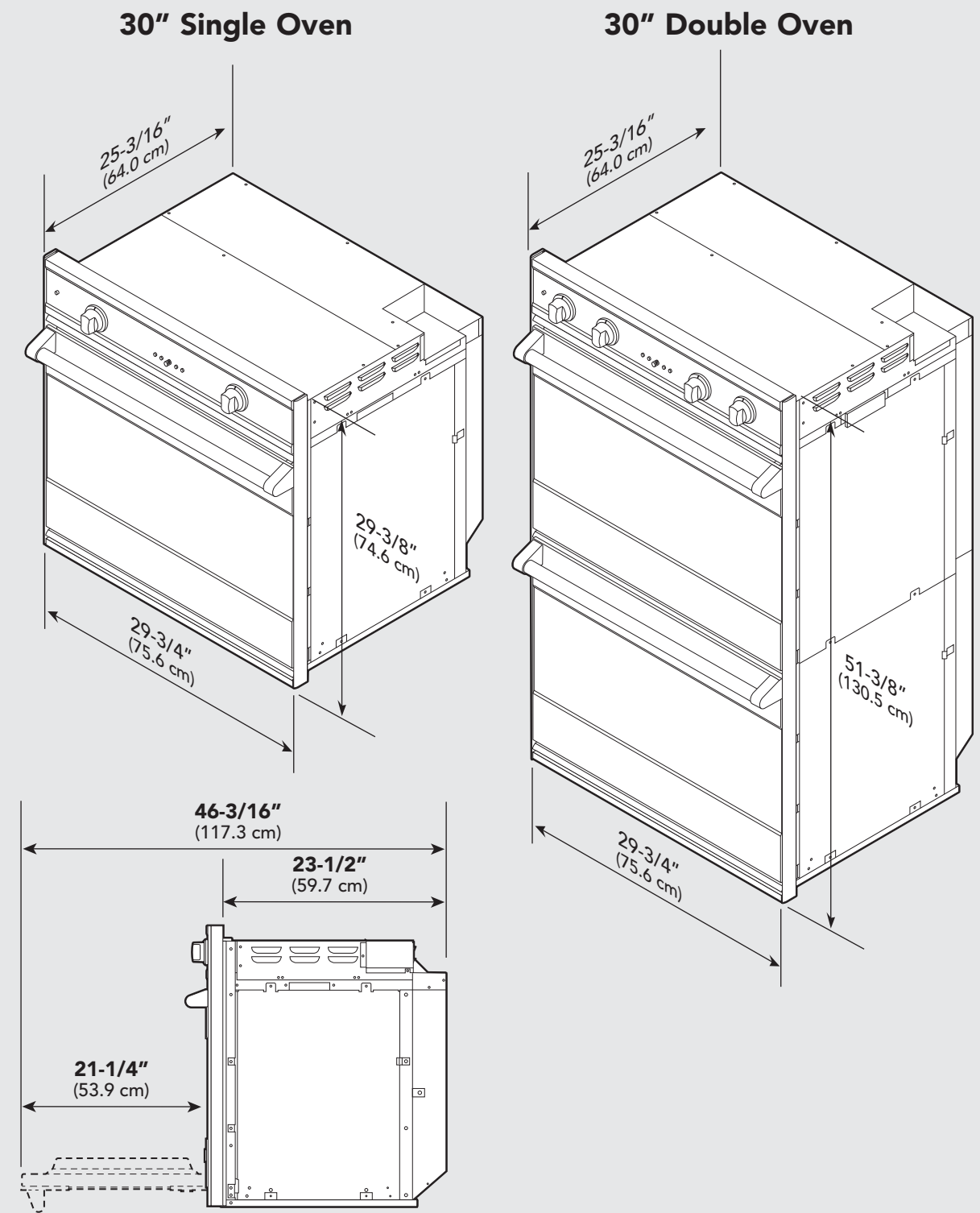
⚠ WARNING
 Frame grounded by a 4-conductor cable assembly. See installation section.
DO NOT USE AN EXTENSION CORD WITH THIS APPLIANCE. SUCH USE MAY RESULT IN FIRE, ELECTRICAL SHOCK OR OTHER PERSONAL INJURY.

⚠ WARNING
 This appliance should not be used for space heating. This information is based on safety considerations.

⚠ WARNING
 The use of cabinets for storage above the oven may result in potential fire or burn hazard.

⚠ CAUTION
 The oven is heavy—use extreme care when handling.

Dimensions



Specifications

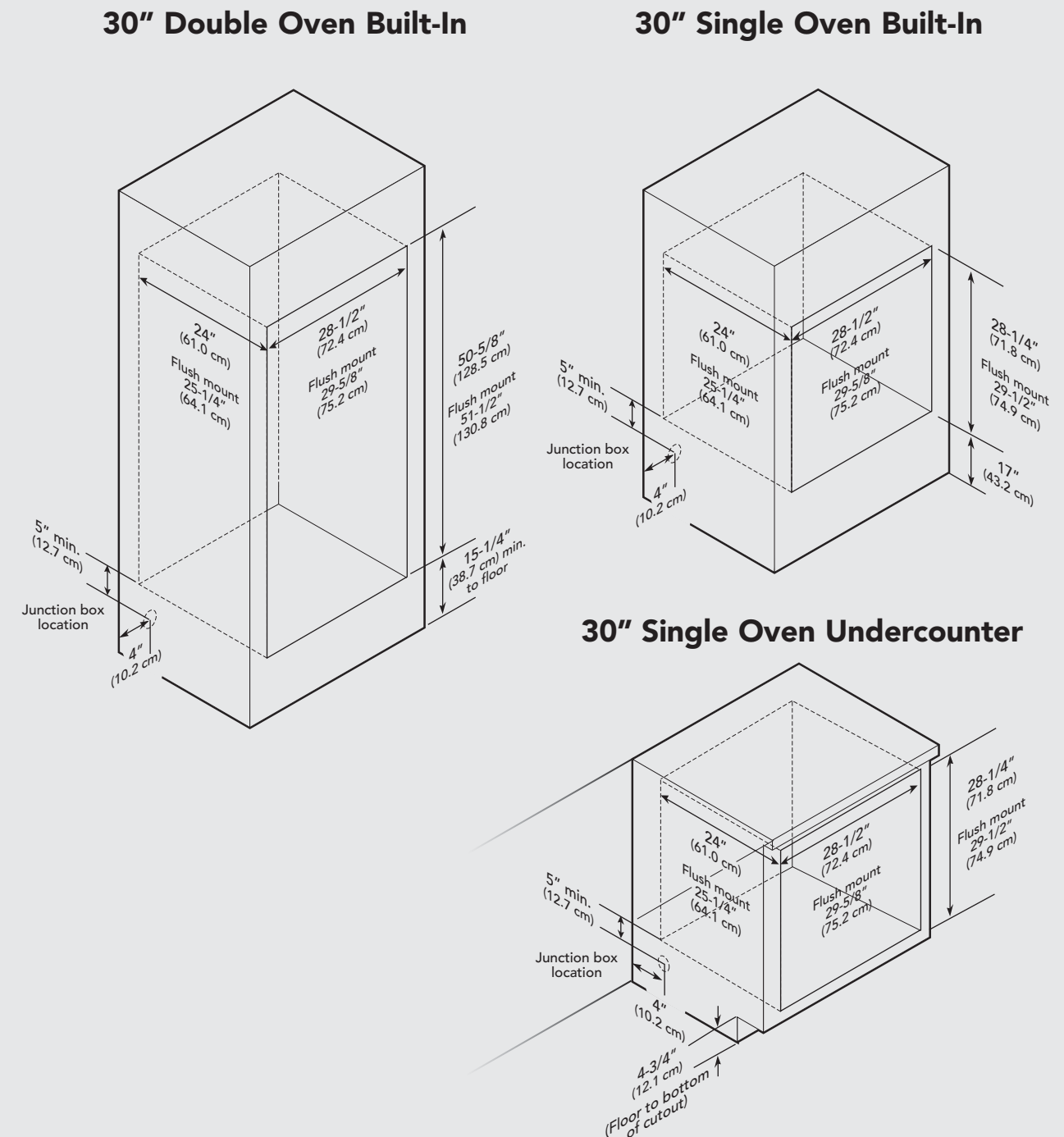
30"W. Electric Single/Double		
Description	RVSOE	RVDOE
Overall width	29-3/4" (75.6 cm)	
Overall height	29-3/8" (74.6 cm)	51-3/8" (130.5 cm)
Overall depth	To front of door 25-3/16" (64.3 cm)	
Cutout width	Standard—28-1/2" (72.4 cm minimum) Flush mount*—29-5/8" (75.25 cm)	
Cutout height	Standard—28-1/4" (71.8 cm) Flush mount*—29-1/2" (74.9 cm)	Standard—50-5/8" (128.6 cm) Flush mount*—51-1/2" (130.8 cm)
Cutout depth	Standard—24" (61.0 cm) Flush mount*—25-1/4" (64.1 cm)	
Electrical requirements	4-wire ground, 240 VAC, 30 amp electrical connection for single ovens/ 50 amp for double ovens. Unit is equipped with No. 10 ground wire in conduit. Should be fused separately.	
Maximum amp usage	23.3 amps—240 VAC 20.2 amps—208 VAC	46.7 amps—240 VAC 40.5 amps—208 VAC
Oven interior width	25" (63.5 cm)	
Oven interior height	16" (40.6 cm)	
Oven interior depth	18-1/2" (50.0 cm)	
Oven volume (measured to AHAM Standard)**	3.8 cu. ft.	
Oven volume (total oven cavity)	4.3 cu. ft.	

***Note:** To install the oven in a flush mount application the flush mount accessory kit (D30FTS for single ovens and D30FTD for double ovens) is required.

****Note:** The AHAM Standard for measuring oven capacity subtracts the door plug and convection baffle dimension from the total oven volume.

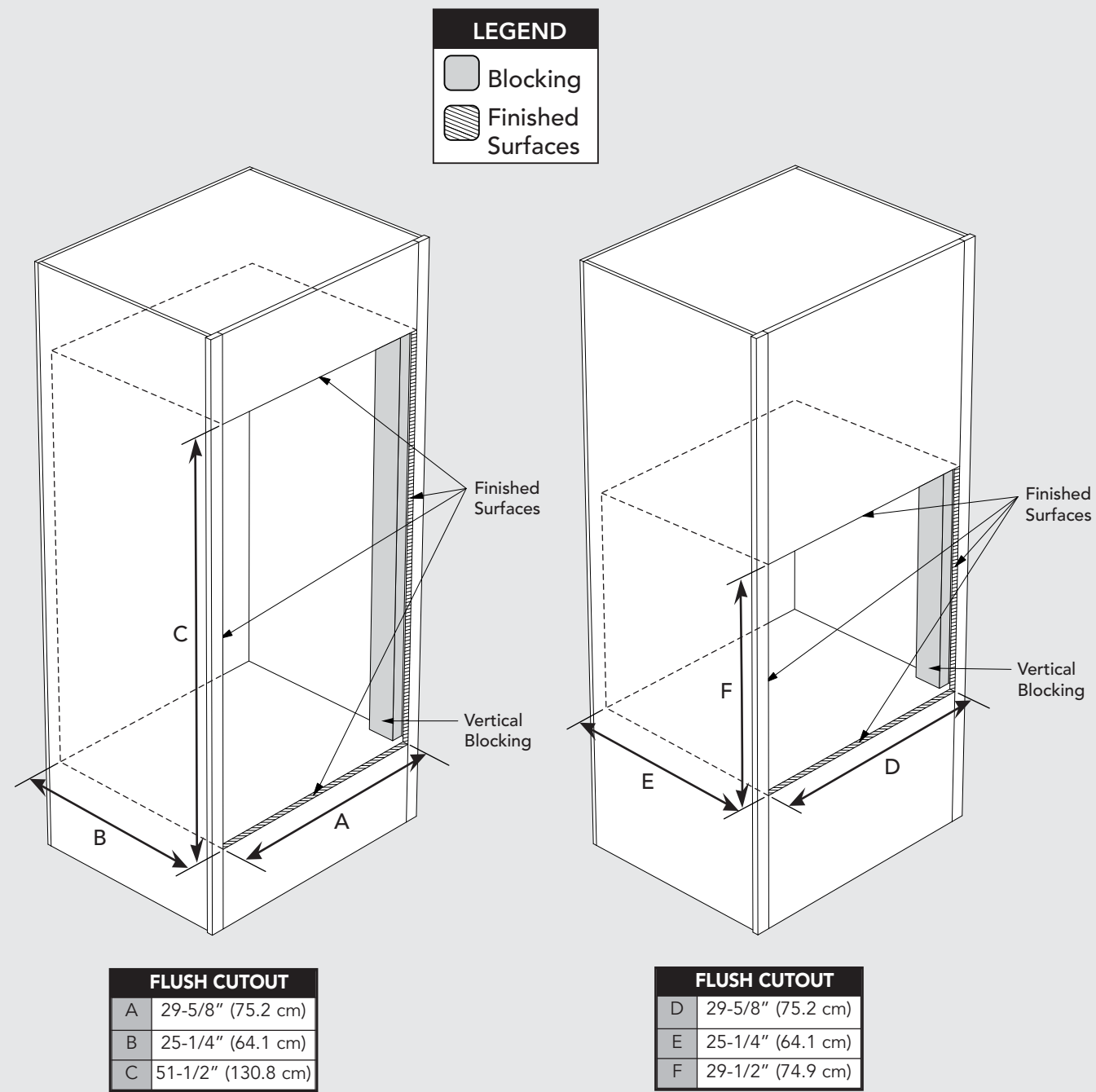
Cutout Dimensions

(For standard installation and flush mount* installations)



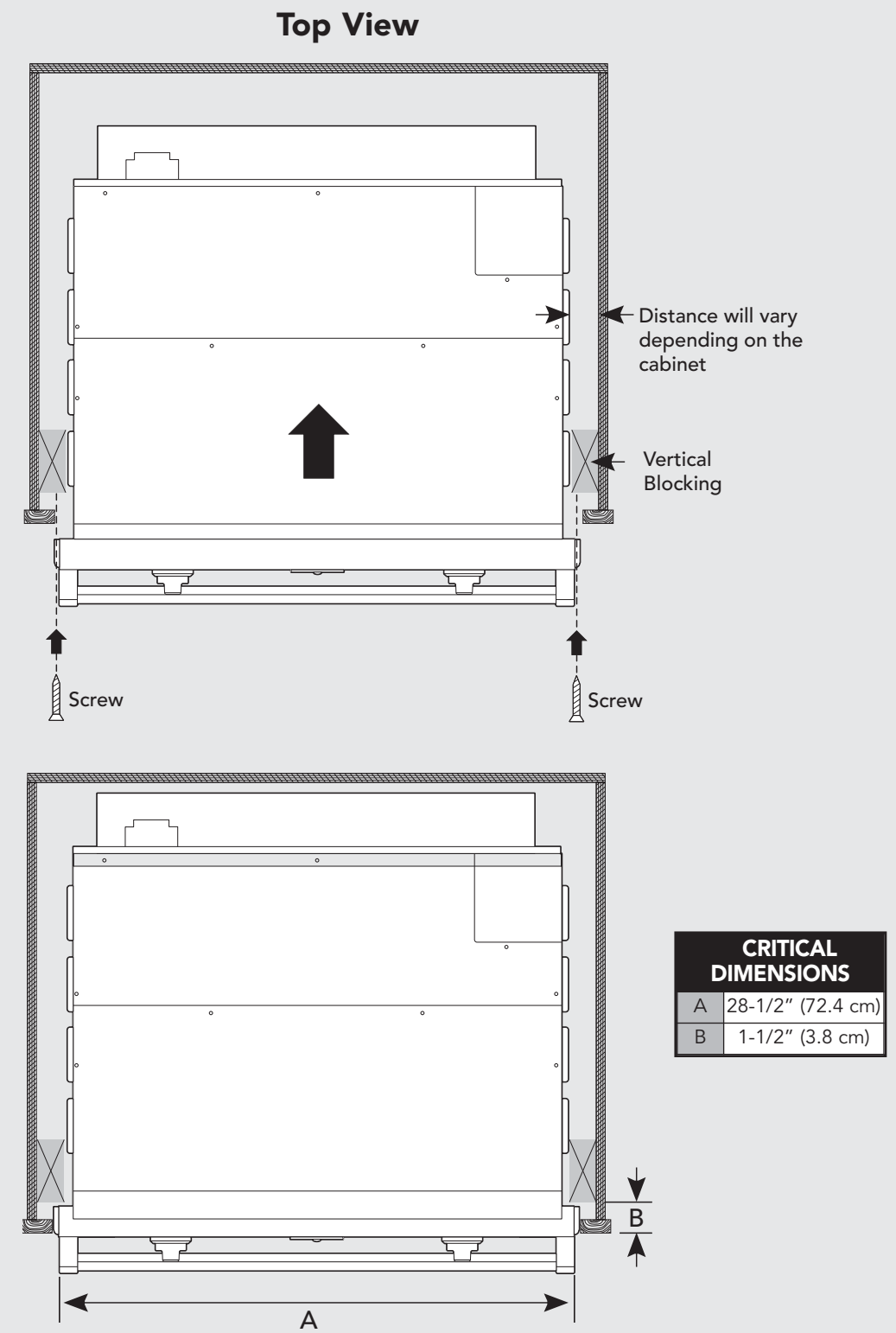
***Note:** To install the oven in a flush mount application the flush mount accessory kit (D30FTS for single ovens and D30FTD for double ovens) is required.

Dimensions (Flush mount installation)



***Note:** To install the oven in a flush mount application the flush mount accessory kit (D30FTS for single ovens and D30FTD for double ovens) is required.

Dimensions (Flush mount installation)



Electrical Requirements

- Oven requires a separate, grounded 4-wire, 240V (AC), 30 amp (single ovens) and 50 amp (double ovens) service with its own circuit breaker.
- Wire sizes and connections must conform with the rating of the appliance and to the requirements of the National Electrical Code, ANSI/NFPA-70 – latest edition, or Canadian Electrical Code, CSA C22.1-1982 and C22.2 No. 01982 – latest edition, and all local codes and ordinances.
- Oven must be connected to the proper electrical voltage and frequency as specified on the model/serial rating plate (located inside the vent on the right side of the oven).
- Oven must be connected to grounded metal permanent wiring system. Check with a qualified electrician to make sure the oven is properly grounded.
- **DO NOT** ground to a gas pipe.
- **DO NOT** use an extension cord with this appliance, because this may result in electrical shock or other personal injury.
- This unit is equipped with a No. 10 ground wire in the conduit.
- The electrical conduit must be kept to the top left for a flush installation. **NEVER** cut the conduit.
- Connect the flexible armored cable directly to 4-wire, 240V household service. If codes permit and separate grounding wiring is used, we recommend that a qualified electrician determine the grounding path and that the wire gauge is in accordance with local codes.
- Junction boxes installed on rear wall directly behind oven must be recessed .
- A UL-Listed conduit connector must be provided at the junction box.
- **DO NOT** install a fuse in the neutral or grounding circuit. We recommend a time-delayed fuse or circuit breaker. Connect directly to the fused disconnect (or circuit breaker box) through flexible armored, or non-metallic sheathed, copper cable (with grounding wire).

General Information

- All openings in the wall behind the appliance or in the floor under the appliance should be sealed.
- Keep appliance area clear and free from combustible materials, gasoline and other flammable vapors.
- Disconnect the electrical supply prior to servicing or cleaning.
- When removing the appliance for cleaning or service, disconnect AC power supply and carefully remove the appliance by pulling forward.
- Electrical requirements are listed in the product specifications under the electrical requirements section.

Recommendations for Unpacking

- Products are shipped on pallets with foam footings and corrugated inner-packing and exterior hoods.
- Products are anchored to the pallet using metal straps that are screwed to the bottom of the product and the pallet.
- **DO NOT** remove protective packaging until you are ready to perform the installation.
- To remove the packaging, first remove the staples located at the bottom perimeter of the corrugated cover.
- Remove the corrugated cover by lifting it off the product and remove the inner-packing.

- Detach the product from the metal anchor strip by removing the attachment screw.
- **DO NOT** remove the protective wrapping from the product control panel until the product is installed.

Recommendations for Moving

⚠ CAUTION

The oven is heavy—use extreme care when handling.

⚠ WARNING

DO NOT use the handle or oven door to lift the oven. Remove door before installation to ensure that it is not used to lift the unit. **DO NOT** lift or carry the door by the handle.

- Only proper equipment should be used to move products.
- **ALWAYS** take steps to protect flooring at the installation location when moving products.