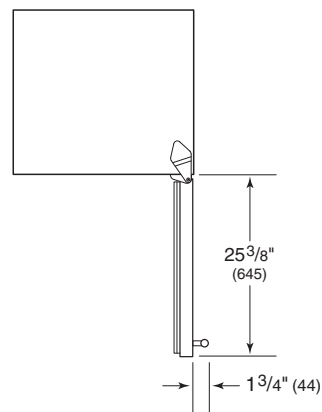
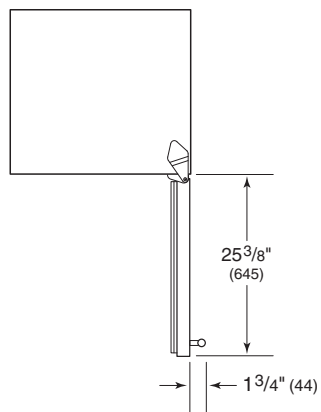
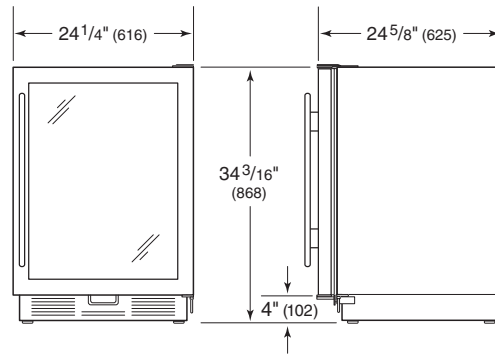
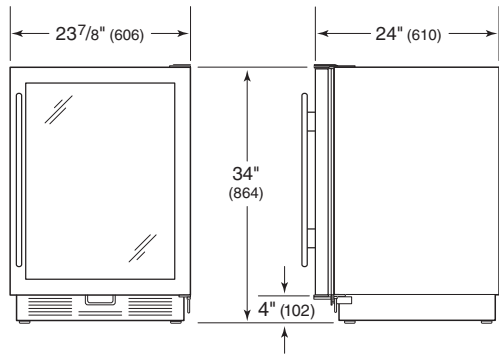


Models 424G and 424FS

OVERALL DIMENSIONS



MODEL 424G

MODEL 424FSG

Door swing clearances are based on stainless steel door and handle dimensions.

## Models 424G and 424FSG Installation

The model 424FSG wine storage unit is designed to be attractive in a stand alone setting. Model 424G must be built in. Refer to the previous page for overall dimensions and door swing clearances for models 424G and 424FS.

Make sure that the finished rough opening where the model 424G wine storage unit is to be installed is properly prepared. Refer to the illustration. The floor under the unit must be level with the surrounding finished floor.

**IMPORTANT NOTE:** To operate properly, the door must open a minimum of 90°. Use a minimum 3" (76) filler in corner installations to assure a 90° door opening. Allow enough clearance in front of the unit for full door swing.

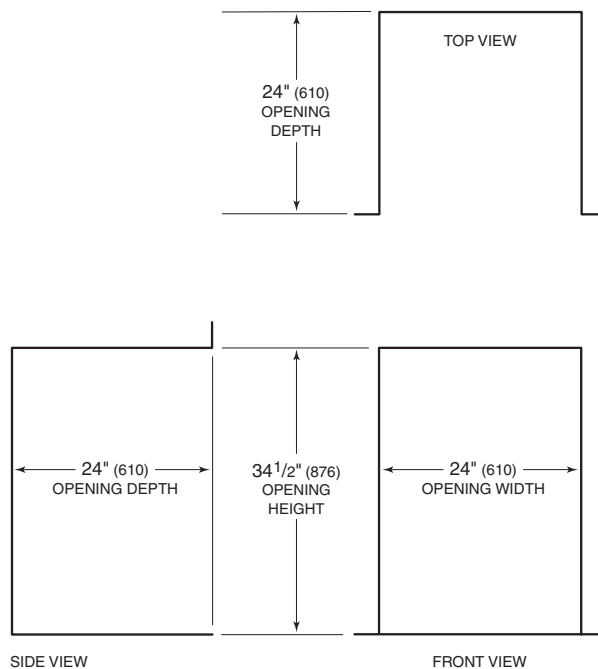
### TOOLS AND MATERIALS REQUIRED

- Appliance dolly able to support 130 lbs (59 kg) and adequate manpower to handle the weight of the unit.
- Phillips and slotted screwdrivers.
- Allen, standard and crescent wrenches.
- Various sized pliers.
- $\frac{5}{16}$ " hex bolt nut driver.
- Cordless drill and assorted drill bits.
- Level—2' (.6 m) and 4' (1.2 m) recommended.
- Masonite, plywood, pressed fiberboard, cardboard or other suitable material to protect finished flooring.
- Appropriate materials to cover and protect the home and furnishings during installation.

### ⚠ CAUTION

Do not load wine into the wine storage unit until the installation is complete.

### OPENING DIMENSIONS



MODEL 424G

## Electrical Requirements

For models 424G and 424FSG, the electrical supply should be located within the shaded area shown in the illustration. Follow the National Electrical Code and local codes and ordinances when installing the receptacle. A separate circuit, servicing only this appliance is required. A ground fault circuit interrupter (GFCI) is not recommended and may cause interruption of operation.

**IMPORTANT NOTE:** For model 424G, the electrical outlet must be placed so the grounding prong is to the right of the thinner blades. The outlet must be flush with the back wall.

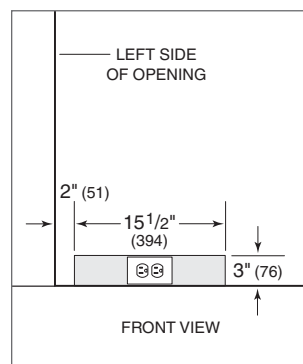
### ⚠ CAUTION

The outlet must be checked by a qualified electrician to be sure that it is wired with the correct polarity and is properly grounded.

### ⚠ WARNING

Do not use an extension cord or two-prong adapter. Electrical ground is required on this appliance. Do not remove the power cord ground prong.

Electrical Requirements	
Power Supply	115 V AC, 60 Hz
Circuit Breaker	15 amp
Receptacle	3-prong grounding-type



Location of electrical supply.

## Electrical Requirements

### HOME ALARM SYSTEM

If a home alarm system is to be used, refer to home alarm connections on page 11. In addition to operating power, the installer may also be required to supply a home automation system lead to the unit. This is for a low-voltage, low-current signal similar to door and window sensor signals. Common, normally open and normally closed contact configurations are provided.

Three 1/4" female spade connectors are located in the compressor compartment and are accessible behind the kickplate on models 424G and 424FS. A minimum of 36" (914) of lead wire should be provided for each contact, exiting the back wall near the electrical outlet.

## Moving the Unit

Before moving the wine storage unit into position, make sure all opening dimensions and electrical requirements are complete and accurate.

**IMPORTANT NOTE:** The floor under the undercounter unit must be at the same level as the surrounding finished floor to allow for removal of the unit for servicing.

Use an appliance dolly to move the wine storage unit near the installation opening. Position the dolly at the side of the unit to prevent damage to finished surfaces. Remove and discard all packing materials and tape.

**IMPORTANT NOTE:** Do not discard the kickplate, anti-tip bracket and hardware. These items will be needed for the installation.

All roller-assembly wine shelves should be removed to reduce weight and prevent them from rolling. To remove, pull the shelf out to its full extension, gently and evenly lift up on both sides of the front of the shelf and remove. Reverse the procedure to reinstall the shelf.

### **▲ CAUTION**

**Before moving the wine storage unit in to position, protect any finished flooring with appropriate materials and secure the door closed.**

## Position the Unit

If you are adding an accessory lock kit to your wine storage unit, it should be installed before you position the unit. The accessory lock kit and additional instructions are available through your authorized Sub-Zero dealer, or call Sub-Zero at 800-222-7820. You can also visit our website at [subzero.com](http://subzero.com).

**IMPORTANT NOTE:** If for any reason the wine storage unit has been laid on its back or side, you must allow the unit to stand upright for a minimum of 24 hours before connecting power.

Plug the power cord into the grounded electrical outlet. With power applied to the appliance, check for lighting and cooling before going any further. Once you are satisfied that the unit is operating properly, shut off power to the electrical outlet at the circuit breaker and proceed.

Pre-level the wine storage unit before sliding it into position. Leveling cannot be completed with the unit pushed back in the installation opening.

If a home alarm system is to be used with the wine storage unit, the lead wires should be threaded into the compressor compartment before you position the unit. Refer to home alarm connections on the following page, for the location of these lead wires. After the unit is in position, the alarm wiring can be completed from the front.

For model 424FSG, adjust the leveling legs so the top of the unit is no more than 34<sup>5</sup>/<sub>8</sub>" (879) above the floor. This is to allow the unit to engage the anti-tip bracket properly. Center the model 424FSG in front of the anti-tip bracket.

Slide the unit into position, making sure the anti-tip bracket is engaged properly.

When the wine storage unit is installed, the anti-tip bracket will be positioned just below the engaging bracket on the unit. It is not necessary to raise the unit up so that it locks into the anti-tip bracket, but the unit must be in alignment with the anti-tip bracket.

The wine storage unit provides the best access to its contents when the front surface of the door panel extends out from surrounding cabinets approximately 1/4" (6). For model 424FSG, if there are no surrounding cabinet surfaces to gauge depth, slide the unit back until it engages the anti-tip bracket.

**IMPORTANT NOTE:** The floor under the wine storage unit must be at the same level as the surrounding finished floor to allow for removal of the unit for servicing.

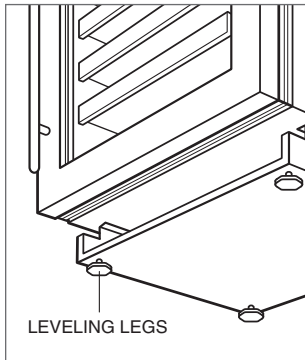
## Level the Unit

Using an adjustable wrench or pliers, turn each of the four leveling legs clockwise to raise the unit and counterclockwise to lower the unit. Refer to the illustration below for location of the leveling legs.

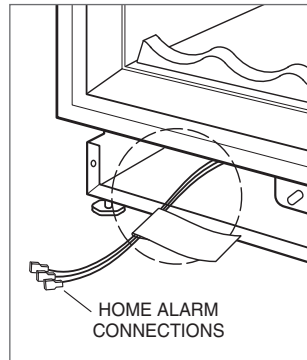
For model 424G, the countertop bracket should be used to make a solid installation. Refer to the illustration on page 8. If this is not possible, wedge shims along the sides and top.

### ⚠ WARNING

To reduce the possibility of the unit tipping forward, the front leveling legs must be in contact with the floor.



Leveling legs.



Home alarm connections.

## Home Alarm Connections

Before the kickplate is installed, all necessary wiring connections in the compressor compartment should be completed.

If a home alarm system is to be installed on the wine storage unit, the connections should be made using the logic supplied with the alarm specifications. Refer to the illustration for the appliance lead locations, and refer to the following for color codes:

- Normally open contacts – white with red stripe wire
- Normally closed contacts – white with blue stripe wire
- Common – gray with white stripe wire

Use the 1/4" spade terminals or wire nuts provided to make the proper wiring connections.

**IMPORTANT NOTE:** If you are not responsible for alarm system connection, this information should be supplied to the home security system contractor.

### ⚠ CAUTION

The alarm circuit in the unit is intended as a low-voltage, low-current device only. It should not be used to switch line power.

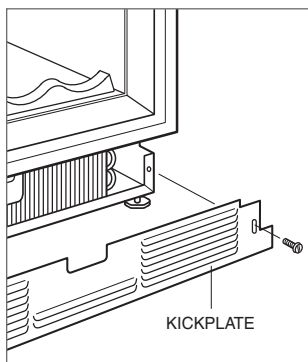
Any unused terminals should be completely insulated and all wires should be secured away from conductive or moving components.

## Kickplate Installation

Once the unit is leveled and wiring connections made, the kickplate can be installed. Use the two #10 x 1/2" stainless steel screws that are provided with the kickplate. Refer to the illustration below.

**IMPORTANT NOTE:** The kickplate must be removed for servicing. The floor cannot interfere with removal. The louvered section of the kickplate must not be covered so as to prevent air circulation.

Turn power back on to the electrical outlet.



Kickplate installation.

## Door Panel

### MODEL 424G

Model 424G is offered in two design applications; stainless steel (/S) and overlay (/O). Each of these designs have a full-view glass door.

The stainless steel model 424G/S is shipped from the factory with the decorative stainless steel door panel and matching handle in place.

The overlay model 424G/O is designed to accept a decorative door panel to match surrounding cabinetry. The door panel and the handle will be provided by the customer.

Before beginning installation, check for the correct components for the fit and finish desired. All overlay doors require a decorative panel 23<sup>3</sup>/<sub>4</sub>" (603) x 30<sup>1</sup>/<sub>16</sub>" (764), a minimum <sup>5</sup>/<sub>8</sub>" (16) thick.

**IMPORTANT NOTE:** For installations at or above 5,000' (1524 m) in altitude, a special high altitude glass door unit (HAG) must be ordered.

If you have questions, contact your authorized Sub-Zero dealer or cabinet supplier. Additional panel information can be found in the Sub-Zero design guide.

### ⚠ CAUTION

A solid panel cannot be installed over the glass door, as this may cause moisture to form behind the panel.

## Overlay Door Panel

### MODEL 424G

Inspect the door panel for the minimum  $\frac{5}{8}$ " (16) thickness, the finished inside edge. The glass door has a 10 lbs (5 kg) weight limit. Refer to the wine storage section of the Sub-Zero design guide for additional panel information.

Decide if the handle will be attached through the glass door frame or just through the decorative door panel. If it is just through the door panel, the handle must be attached first.

Decorative panels are attached to the model 424G door using #8 x  $\frac{5}{8}$ " square drive screws passing through the door frame from the rear, behind the gasket into the panel. The door panel is marked for screw locations by the use of tenon centers, which are temporarily inserted into the  $\frac{1}{4}$ " (6) diameter holes in the front of the glass door frame. Refer to the illustration below.

With the wine storage unit secured in position and the door closed, the panel is held in the desired position on the door and rapped by hand from the front, putting center marks on the rear surface of the panel. If the door panel is made of such a material that pre-drilling is needed, all of the mounting holes should be marked. If not, only enough holes to hold the panel in place temporarily, are necessary.

The door panel is then lowered from the door frame, tenon centers removed, the door opened and the screws driven into the panel through the black tape on the door frame, using the center marks to locate the screws.

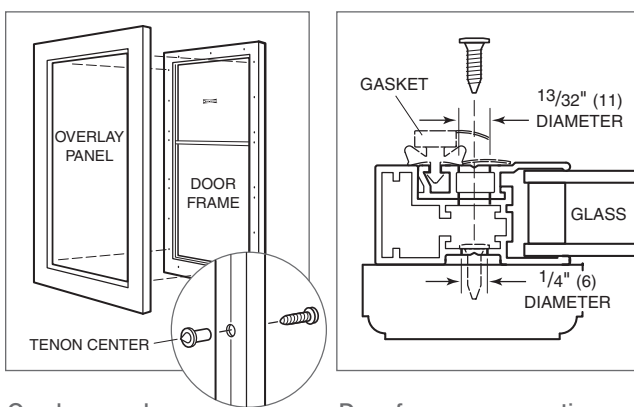
The screw holes inside the door are hidden under a cover flap on the door gasket. It is necessary to lift the flap to insert the screws. Use as many screws as necessary to hold the door panel in place properly.

**IMPORTANT NOTE:** After the first three or four mounting screws are in place, but not completely tightened, close the door and check your panel fit. This is the time to make small adjustments. Once you are satisfied with the appearance, open the door and apply the remainder of the screws. Check all screws for tightness.

The metal frame on the glass door has numerous mounting holes on each side of the door. This is to accommodate the Sub-Zero accessory handles and provide for easy attachment of the handle through the door frame.

If you choose not to use the pre-drilled handle mounting holes, it will be necessary to fasten the handle from the rear of the door panel only, or drill one or more additional holes through the metal frame of the glass door.

The cross section illustration shows how this hole passes through the door frame. The hole center is on the small locator groove in the front of the frame. A  $\frac{1}{4}$ " (6) diameter hole is made in the front wall of the extrusion and a  $\frac{13}{32}$ " (11) diameter hole through the rest of the frame.



Overlay panel.

Door frame cross section.



## Overlay Door Panel

**IMPORTANT NOTE:** Install screws in all the mounting holes in the door frame. The nature of the door panel with a narrow outer rim and no connecting center member requires the support provided by the glass door.

After the door panel installation is complete, apply the cover patches or plugs provided over the holes on the inside surface of the door.

### ⚠ CAUTION

The cover patches or plugs are part of the insulation system on the door of the wine storage unit. Be sure to cover all the holes in the door that were used.

### ⚠ CAUTION

The wine storage unit door is made with a sealed double wall tempered glass core. The drill must not contact this core when drilling. Be sure the hole is centered on the small groove in the front of the door frame and the drill passes squarely through the frame. If you are inexperienced with drilling, fasten the handle from the rear of the door panel only.