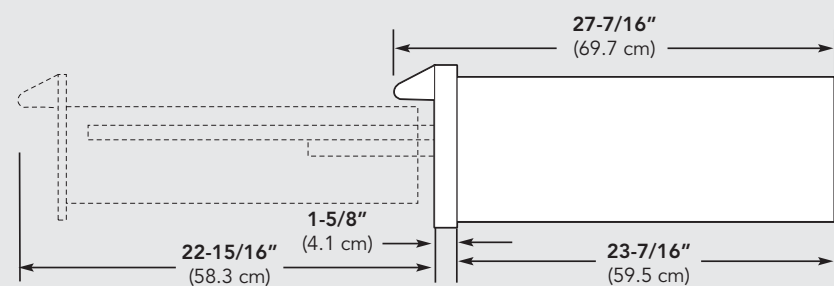
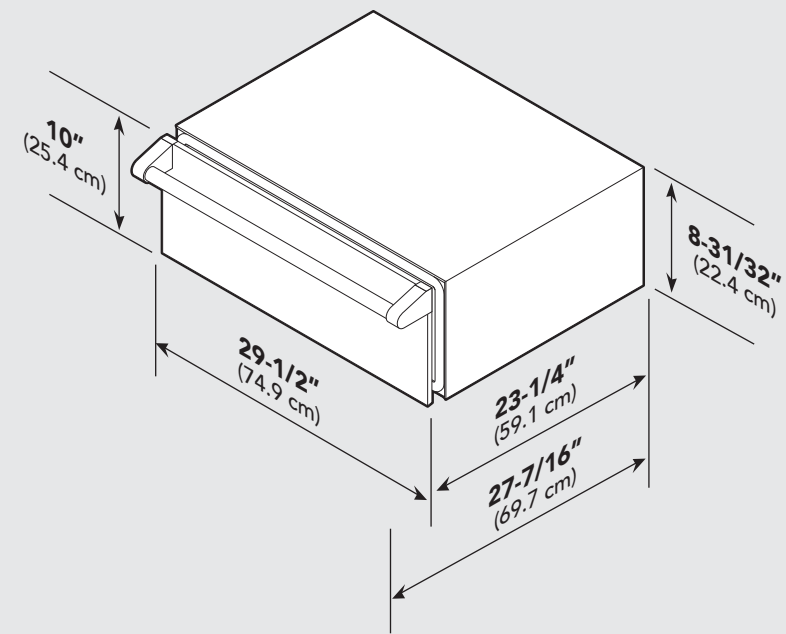
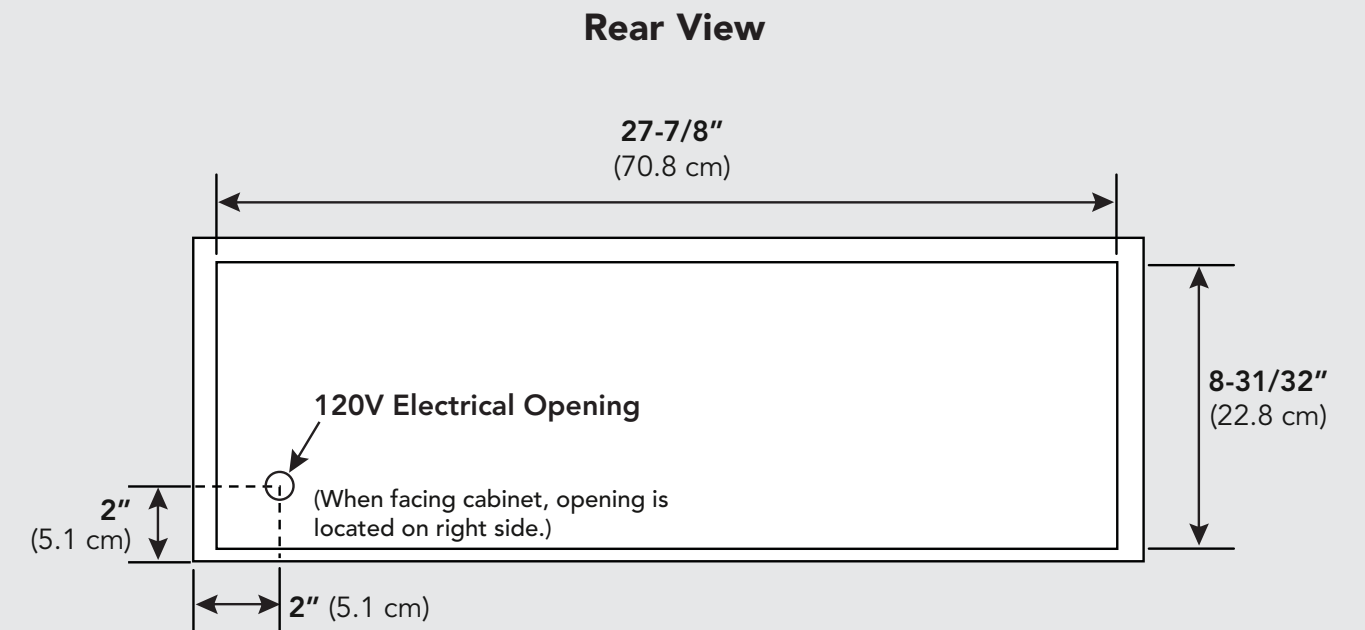


Dimensions



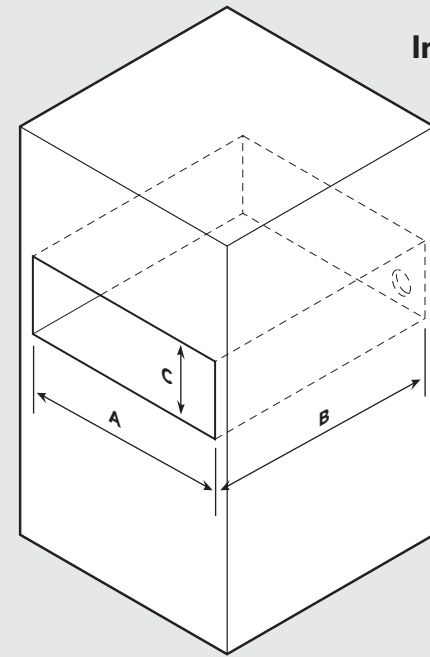
Dimensions



Specifications

Description	RVEWD
Overall width	29-1/2" (74.9 cm)
Overall height (from bottom)	10-1/4" (26.0 cm)
Overall depth (from rear) To end of handle	27-7/16" (69.7 cm)
With drawer fully extended	48" (121.9 cm)
Interior width	20-1/2" (52.1 cm)
Interior height	10-1/4" (26.0 cm)
Interior depth	22-3/4" (27.8 cm)
Electrical Requirements	Hard wire direct with separate 15 amp minimum 2-wire with ground circuit; 120 VAC/50-60 Hz
Max. Amp Usage	450 watts 3.8 amps
Approx. shipping wt.	90 lb. (40.5 kg)

Cutout Dimensions



Indoor

	RVEWD
Cutout width (A)	28-1/4" (71.8 cm)
Cutout depth (B)	23-1/2" (59.7 cm)
Cutout height (C)	9-1/4" (23.5 cm)

Flush Mount Option:

Note: To install the warming drawer in a flush mount application, a flush mount accessory kit is required and sold separately.

	RVEWD
Cutout width (A)	29-5/8" (75.3 cm)
Cutout depth (B)	25-1/8" (63.8 cm)
Cutout height (C)	10-1/8" (25.7 cm)

Electrical Requirements

Electrical Requirements

Check your national and local codes regarding this unit. Hard wire direct with separate 120V/15 amp minimum 2-wire with ground circuit. Maximum amp usage.

	RVEWD
Max. amp usage	450 watts 3.8 amps

Electrical Connection

Note: Use copper conductors **ONLY!**

Grounding Instructions

This appliance must be connected to a grounded metal, permanent wiring system, or an equipment-grounding conductor must be run with the circuit conductors and connected to the equipment-grounding terminal or lead on the appliance.

With the appliance positioned in front of the cabinet opening, connect wire leads extending from the power supply to the terminal block of the unit. Make sure the colored wires of the terminal block are connected to the corresponding colored wires extending from the power supply.

⚠ WARNING

ELECTRICAL SHOCK HAZARD

To avoid the risk of electrical shock, personal injury or death; verify electrical power is turned off at the breaker box until the range is installed and ready to operate, installation by an authorized installer only.