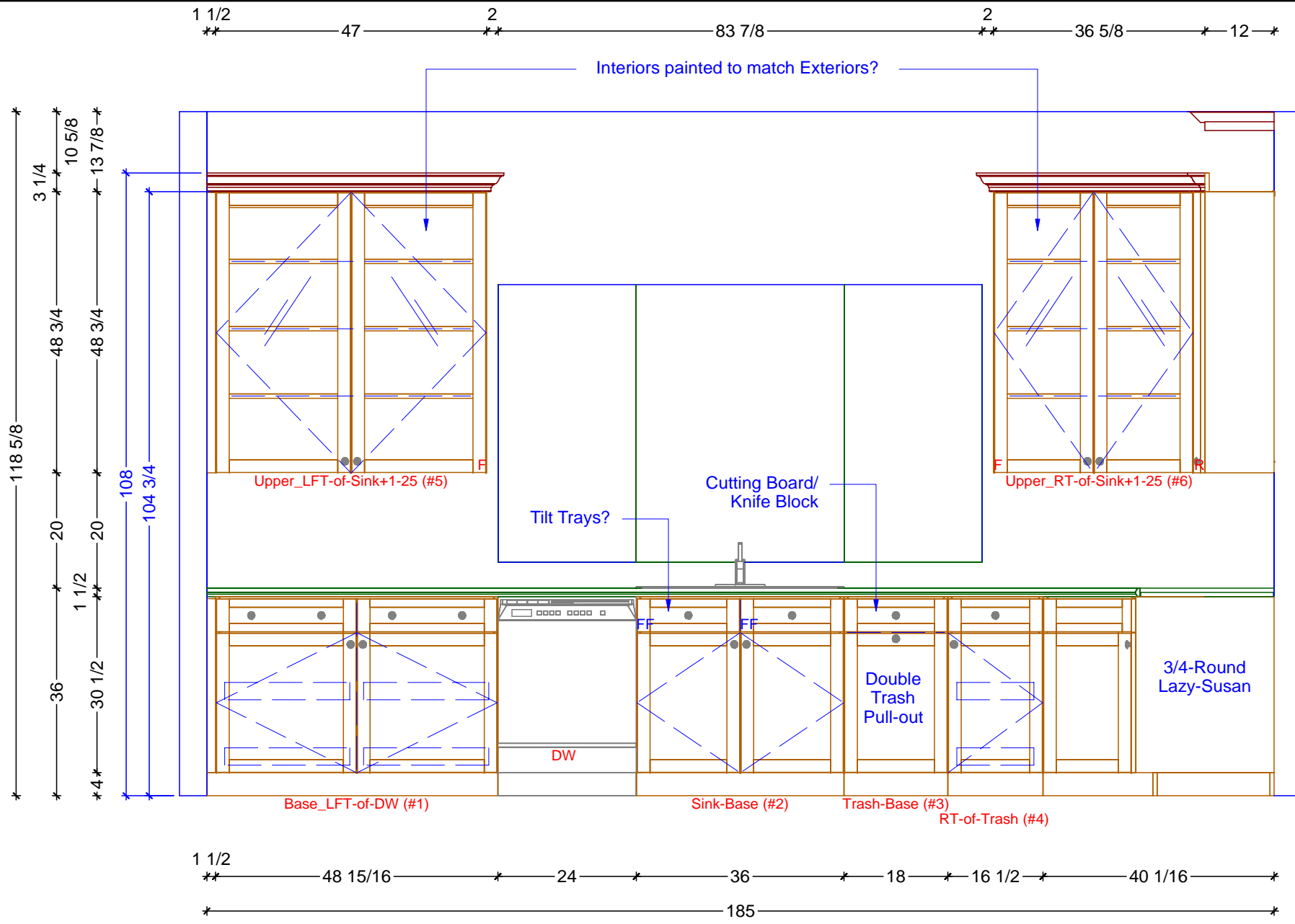


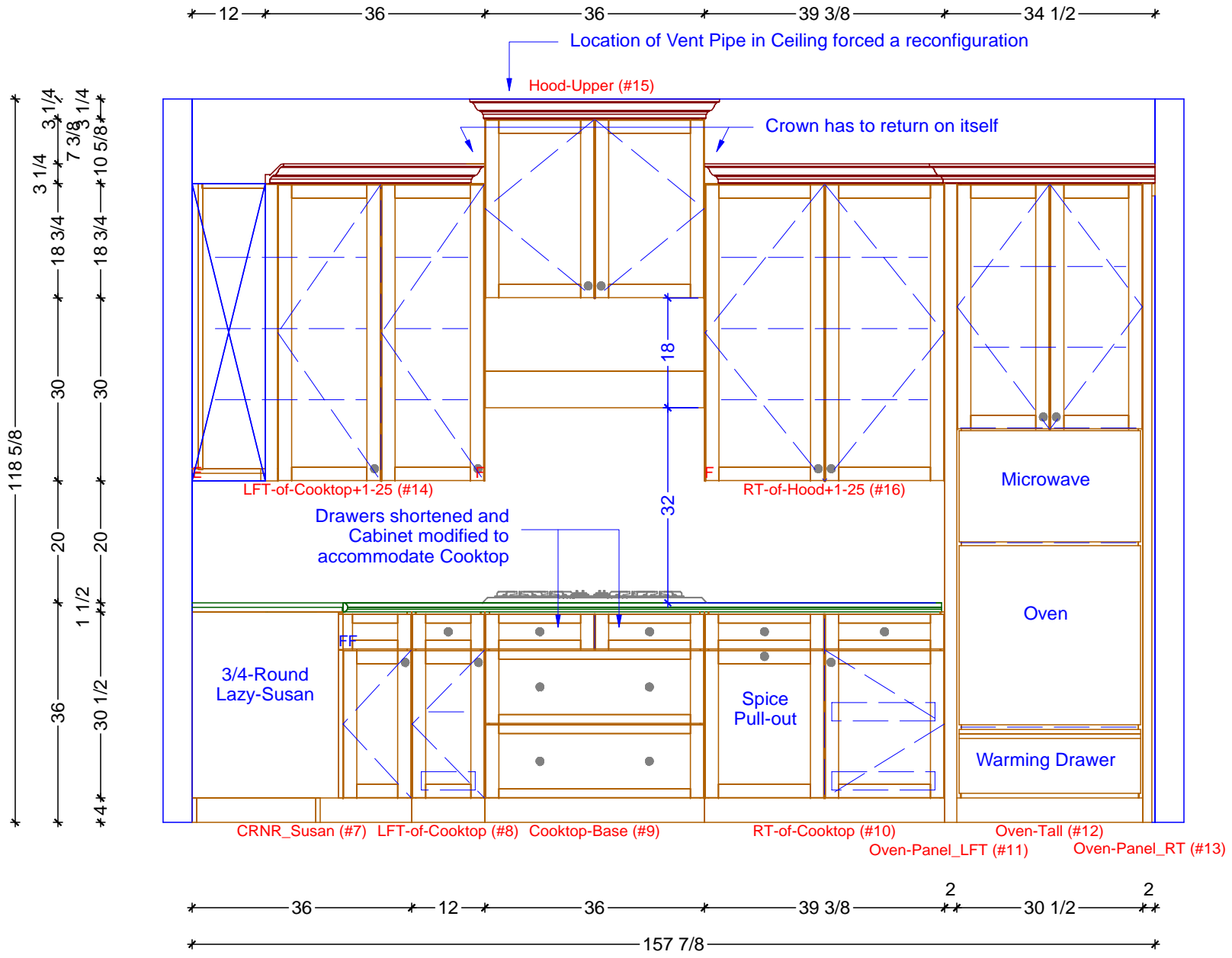
Cust: Lee	PO# KITCH	Scale: As Noted	K.0	
Approved _____	Job: FL-S_PreFIN/PG:perSample_IntEB:PreFIN	Size: A		



1 KITCHEN ELEVATION - SINK WALL
SCALE: 1/2" = 1' 0"

Classic Bath Designs, Inc.
11544 Sheldon St., Sun Valley, CA 91352
818.767.1144 fax: 818.767.1278

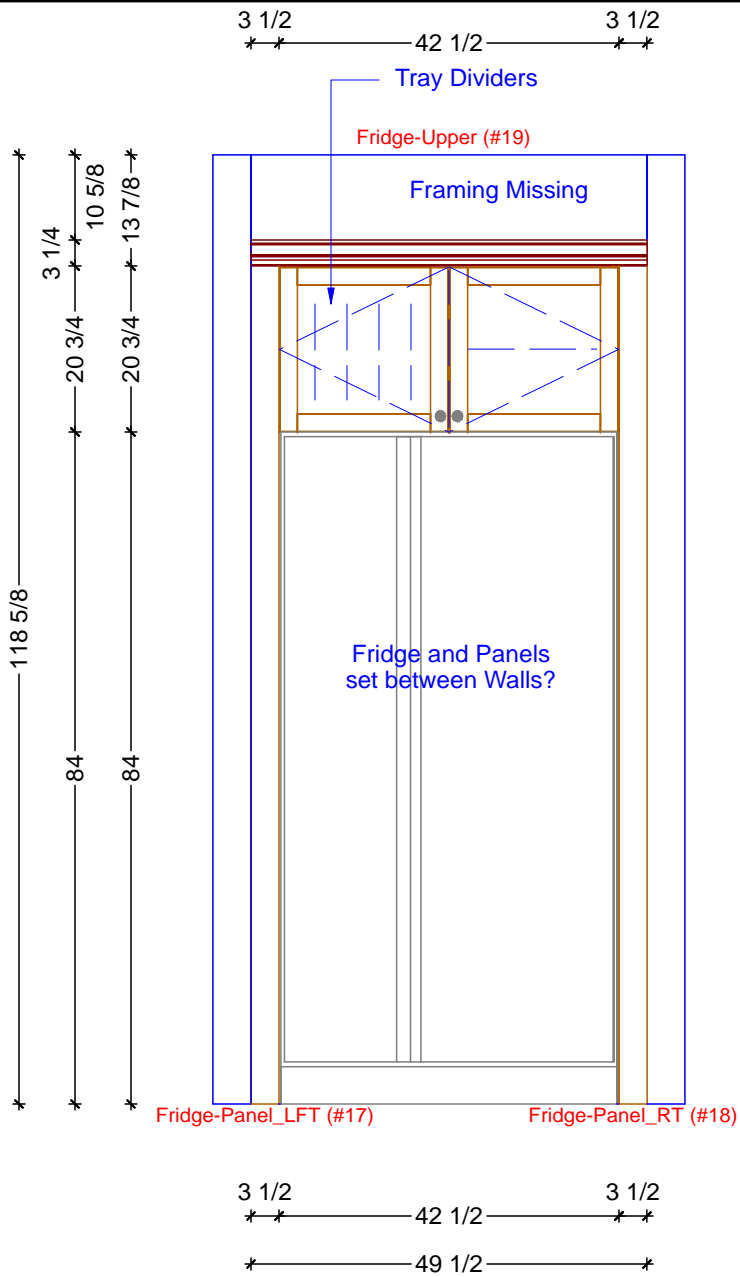
Cust: Lee	PO# KITCH	Scale: As Noted	K.1
Approved _____	Job: FL-S_PreFIN/PG:perSample_IntEB:PreFIN	Size: A Dr By: Brian 12/07/2015	



1 KITCHEN ELEVATION - COOKTOP/OVEN WALL
 SCALE: 1/2" = 1' 0"

Classic Bath Designs, Inc.
 11544 Sheldon St., Sun Valley, CA 91352
 818.767.1144 fax: 818.767.1278

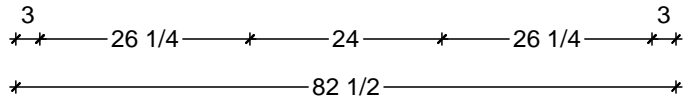
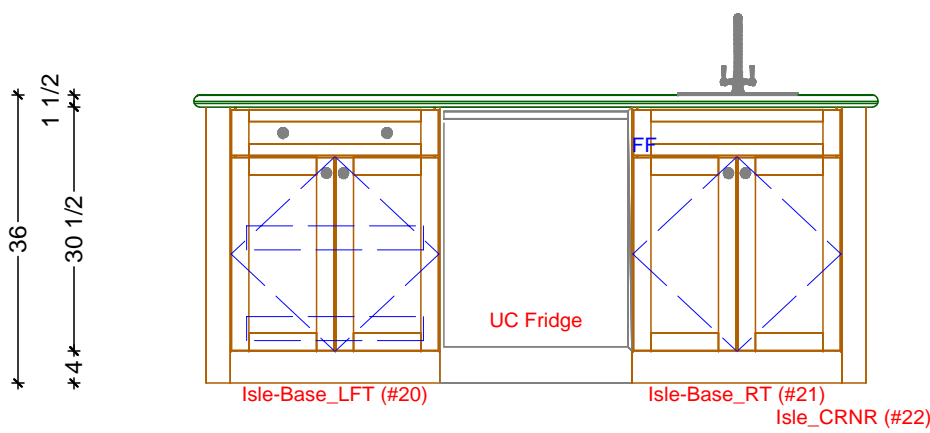
Cust: Lee	PO# KITCH	Scale: As Noted	K.2
Approved _____	Job: FL-S_PreFIN/PG:perSample_IntEB:PreFIN	Size: A	
	Dr By: Brian	12/07/2015	



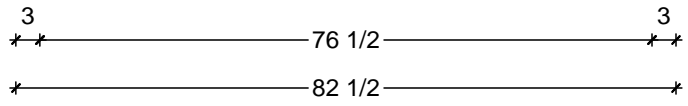
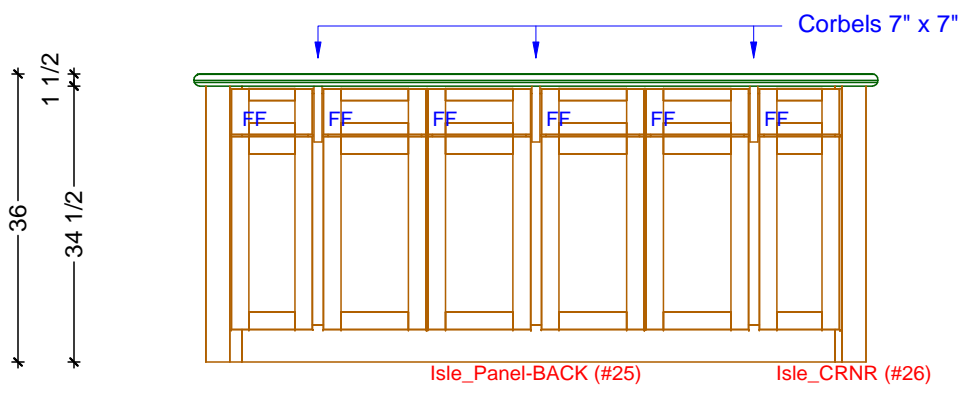
Classic Bath Designs, Inc.
 11544 Sheldon St., Sun Valley, CA 91352
 818.767.1144 fax: 818.767.1278



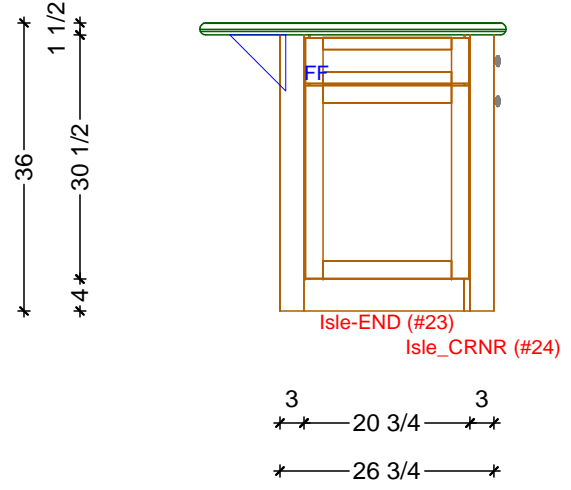
Cust: Lee	PO# KITCH	Scale: As Noted	K.3
Approved _____	Job: FL-S_PreFIN/PG:perSample_IntEB:PreFIN	Size: A	
		Dr By: Brian	12/07/2015



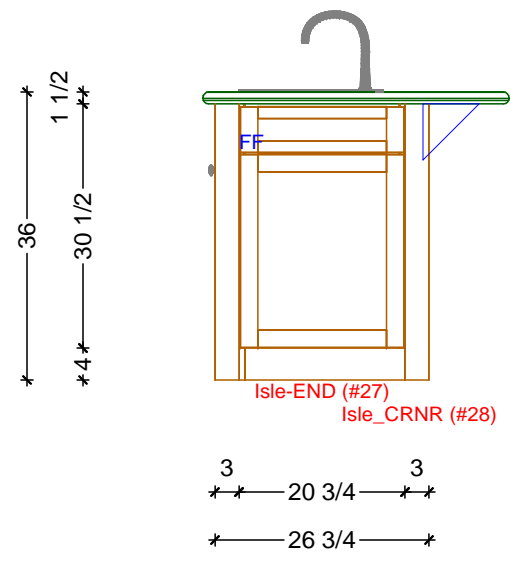
1 KITCHEN ISLE ELEVATION
SCALE: 1/2" = 1' 0"



3 KITCHEN ISLE ELEVATION
SCALE: 1/2" = 1' 0"



2 KITCHEN ISLE ELEVATION
SCALE: 1/2" = 1' 0"



4 KITCHEN ISLE ELEVATION
SCALE: 1/2" = 1' 0"

Classic Bath Designs, Inc.
11544 Sheldon St., Sun Valley, CA 91352
818.767.1144 fax: 818.767.1278

Cust: Lee	PO# KITCH	Scale: As Noted		
Approved _____	Job: FL-S_PreFIN/PG:perSample_IntEB:PreFIN	Size: A	Dr By: Brian	12/07/2015

K.4



Classic Bath Designs, Inc.
 11544 Sheldon St., Sun Valley, CA 91352
 818.767.1144 fax: 818.767.1278



Cust: Lee	PO# KITCH	Scale: As Noted		
Approved _____	Job: FL-S_PreFIN/PG:perSample_IntEB:PreFIN	Size: A	Dr By: Brian	12/07/2015
				Rndr



Classic Bath Designs, Inc.
 11544 Sheldon St., Sun Valley, CA 91352
 818.767.1144 fax: 818.767.1278



Cust: Lee	PO# KITCH	Scale: As Noted		
Approved _____	Job: FL-S_PreFIN/PG:perSample_IntEB:PreFIN	Size: A	Dr By: Brian	12/07/2015
				Rndr