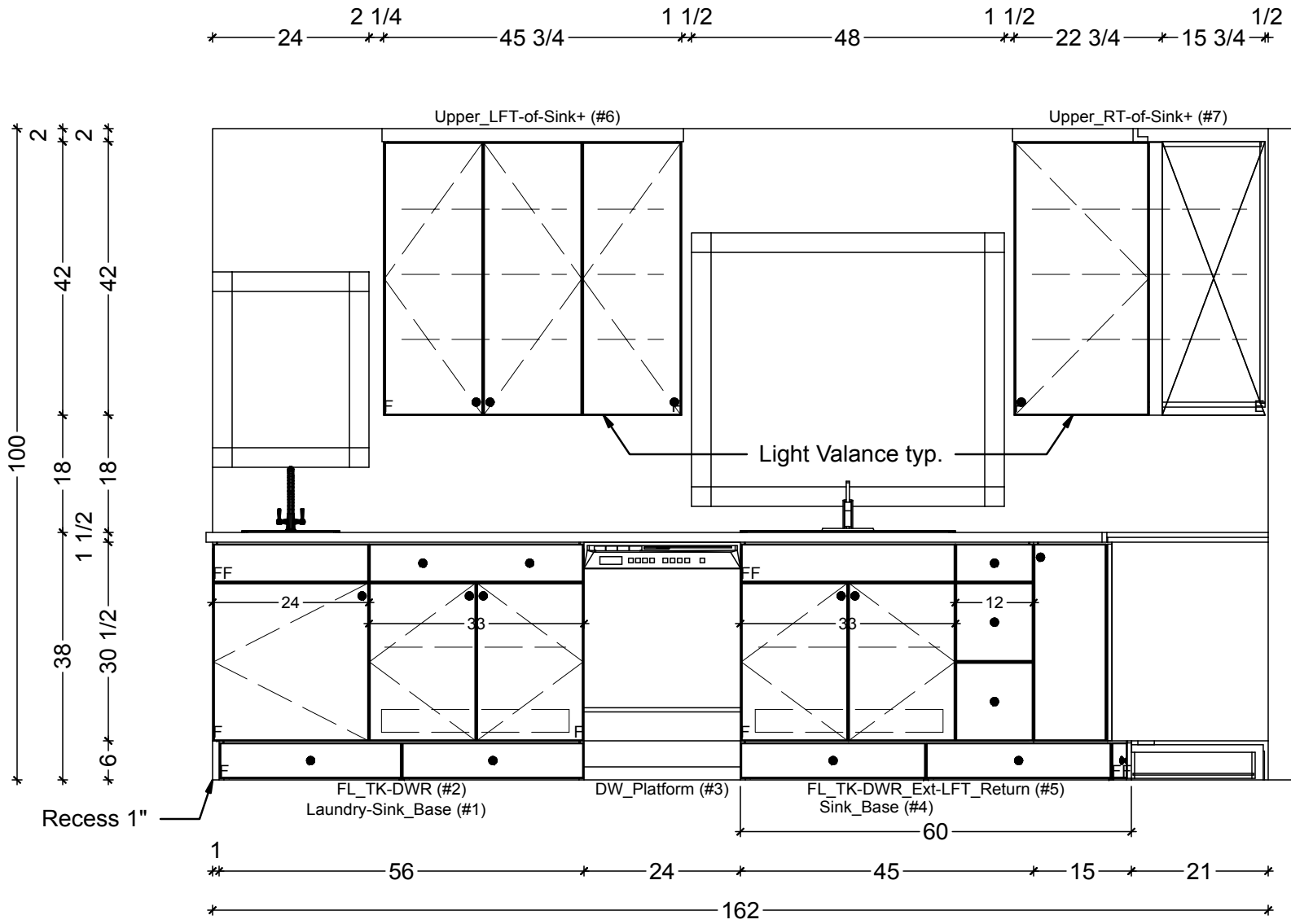

KITCHEN CABINETS FLOOR PLAN
 SCALE: 3/8" = 1' 0"

Classic Bath Designs, Inc.
 11544 Sheldon St., Sun Valley, CA 91352
 818.767.1144 fax: 818.767.1278



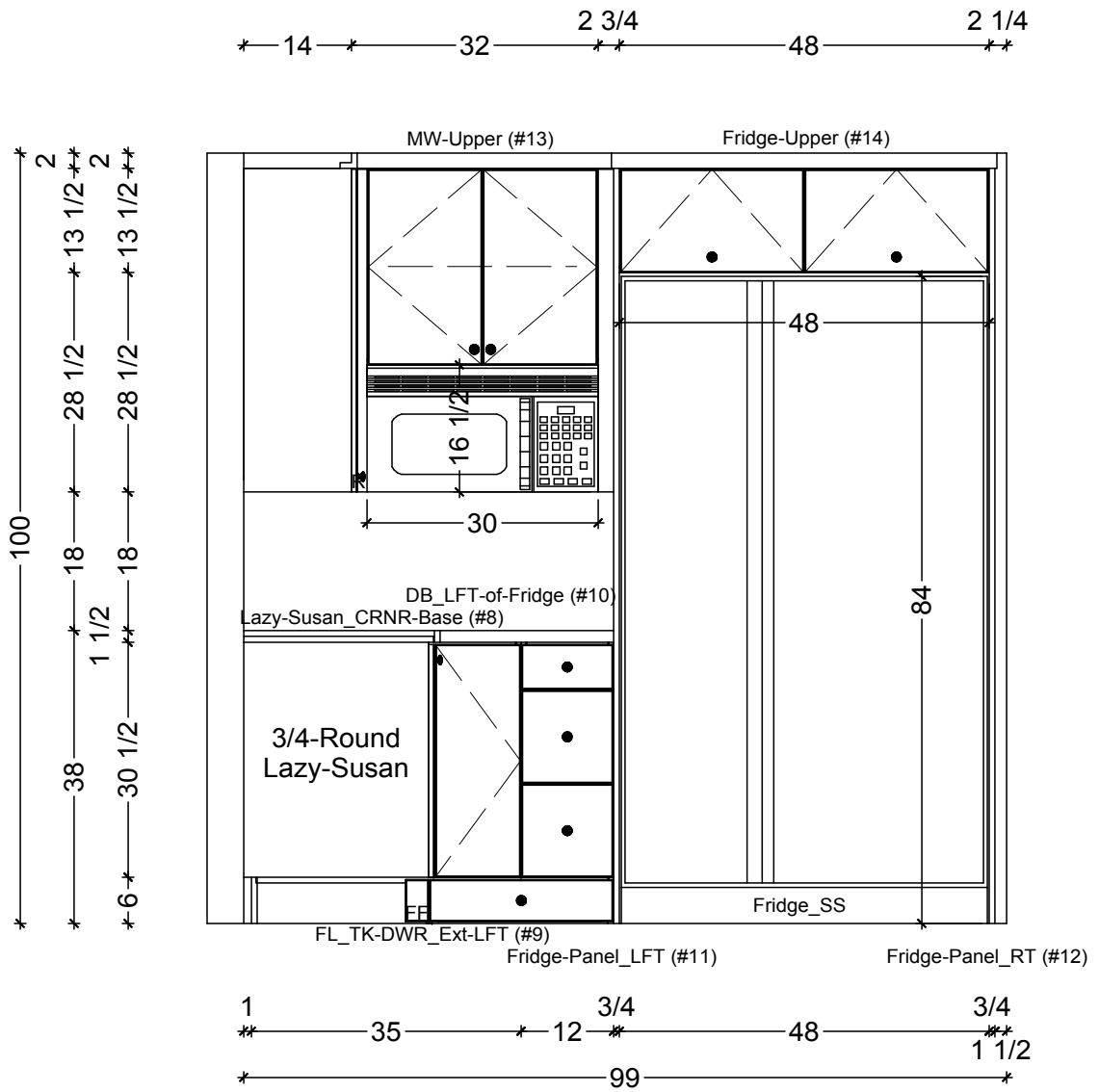
Cust: McGee	PO# KITCHEN	Scale: As Noted	K.0	
Approved _____	Job: FL_PrefIN/PGHW:perSample_IntEB:PrefIN	Size: A		



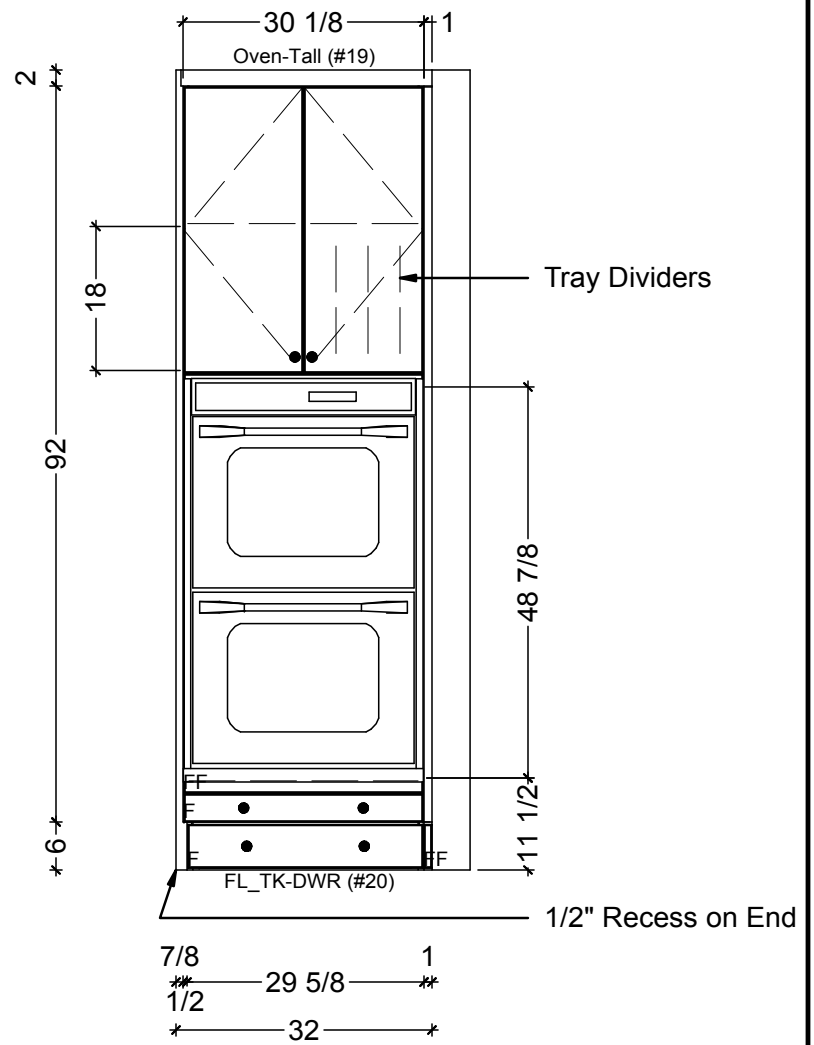
Classic Bath Designs, Inc.
 11544 Sheldon St., Sun Valley, CA 91352
 818.767.1144 fax: 818.767.1278



Cust: McGee	PO# KITCHEN	Scale: As Noted	K.1	
Approved _____	Job: FL_PrefIN/PGHW:perSample_IntEB:PrefIN	Size: A		



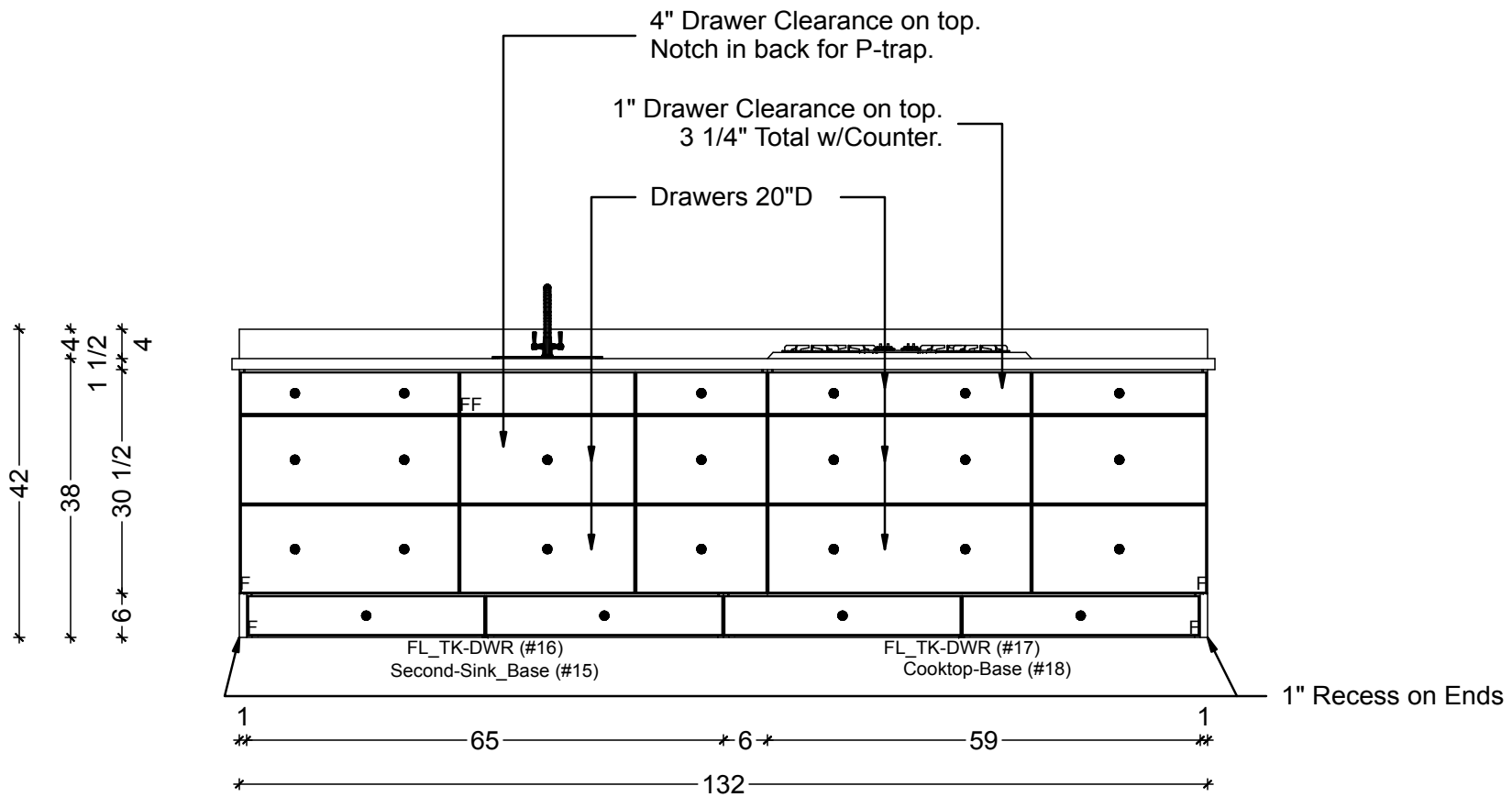
1 KITCHEN ELEVATION - FRIDGE WALL
 SCALE: 1/2" = 1' 0"



2 KITCHEN ELEVATION - OVEN
 SCALE: 1/2" = 1' 0"

Classic Bath Designs, Inc.
 11544 Sheldon St., Sun Valley, CA 91352
 818.767.1144 fax: 818.767.1278

Cust: McGee	PO# KITCHEN	Scale: As Noted	K.2
Approved _____	Job: FL_PrefIN/PGHW:perSample_IntEB:PrefIN	Size: A Dr By: Brian 01/27/2014	



1 KITCHEN ELEVATION - ISLE
SCALE: 1/2" = 1' 0"

Classic Bath Designs, Inc.
11544 Sheldon St., Sun Valley, CA 91352
818.767.1144 fax: 818.767.1278

Cust: McGee	PO# KITCHEN	Scale: As Noted	
Approved _____	Job: FL_PrefIN/PGHW:perSample_IntEB:PrefIN	Size: A	Dr By: Brian 01/27/2014

K.3



Classic Bath Designs, Inc.
 11544 Sheldon St., Sun Valley, CA 91352
 818.767.1144 fax: 818.767.1278



Cust: McGee	PO# KITCHEN	Scale: As Noted			
Approved _____	Job: FL_PrefIN/PGHW:perSample_IntEB:PrefIN	Size: A	Dr By: Brian	01/27/2014	Rndr



Classic Bath Designs, Inc.
 11544 Sheldon St., Sun Valley, CA 91352
 818.767.1144 fax: 818.767.1278



Cust: **McGee**

PO# **KITCHEN**

Scale: **As Noted**

Approved _____

Job: **FL_PrefIN/PGHW:perSample_IntEB:PrefIN**

Size: A

Dr By: **Brian**

01/27/2014

Rndr