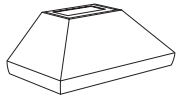
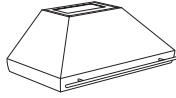


## Pro 42" (1067) Wall Chimney Hood

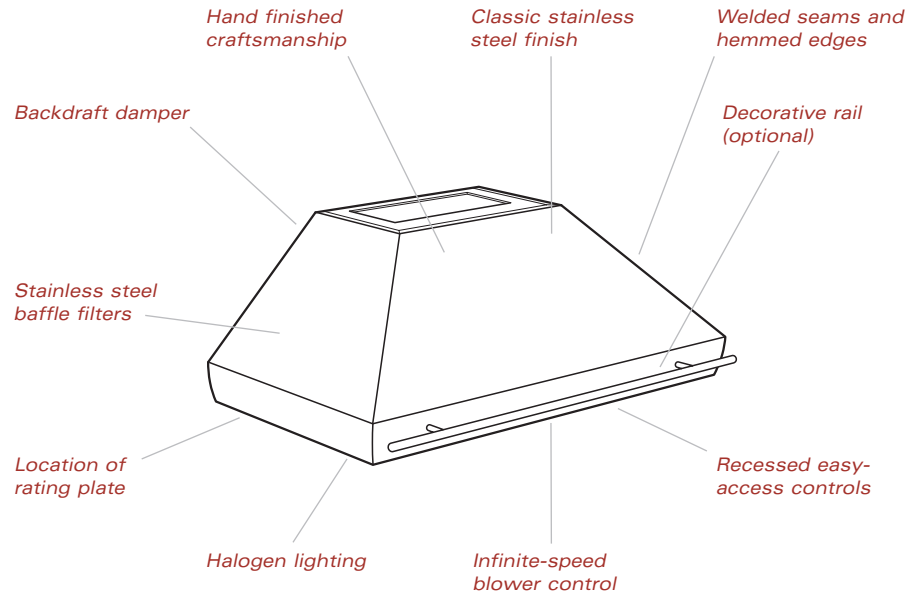
MODEL PWC422418(R)



Model PWC422418



Model PWC422418R  
Rail Option



Model PWC422418R shown with decorative rail

► Wolf Pro wall chimney hoods are available in the classic stainless steel finish. Rail option hoods (R) come with a classic stainless steel decorative rail and stand-offs. Optional platinum or brass rails match dual fuel range bezels. Pro wall chimney hoods are sold as a shell only, internal, in-line and remote blower options are available.

**W**olf Pro wall chimney hoods provide the ultimate in ventilation. With standard elements like heat sentry and dual setting halogen lighting, Wolf elevates the need for ventilation to an enjoyable perk.

The Pro wall chimney hood installed with an optional 6" (152), 12" (305), 18" (457) or 24" (610) classic stainless steel duct cover completes the chimney design. With the Pro wall chimney hood you also have the option of a decorative rail. While a classic stainless steel rail is standard on the (R) model, platinum or brass rails are also available to match the bezels of our dual fuel ranges.

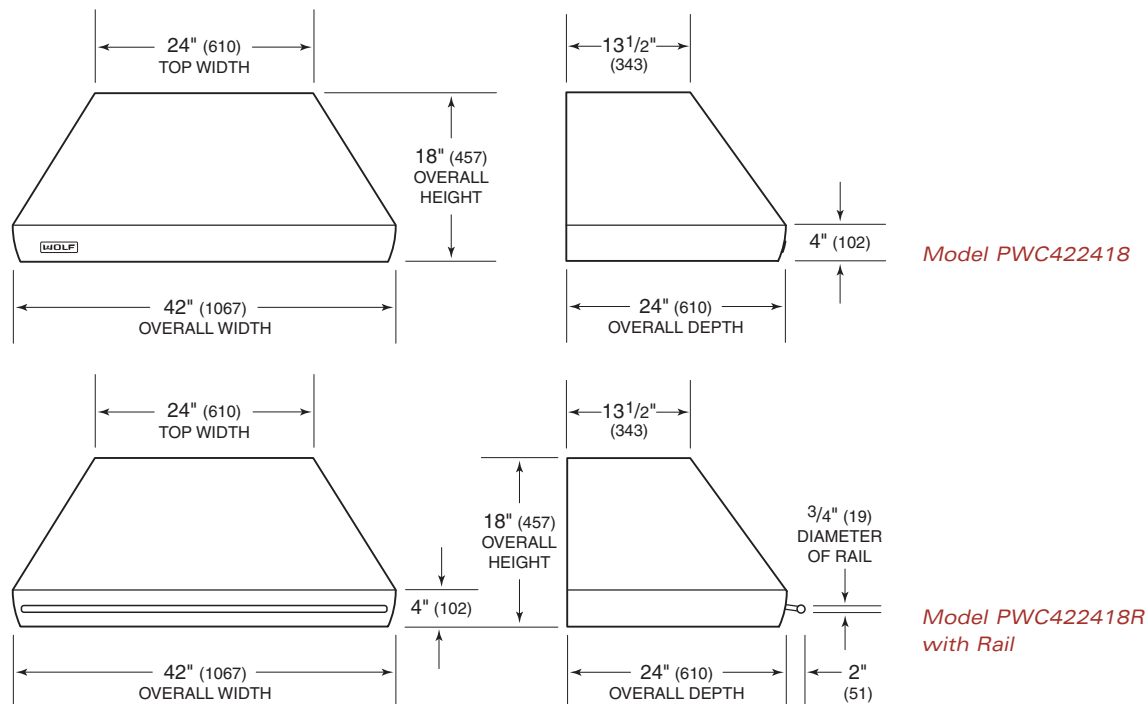
Pro wall chimney ventilation hoods are recommended for use with all Wolf cooking appliances.

**Pro 42" (1067) Wall Chimney Hood**  
MODEL PWC422418(R)

**FEATURES**

- ▶ Classic stainless steel finish
- ▶ Optional 6" (152), 12" (305), 18" (457) and 24" (610) duct covers available to complete the chimney design
- ▶ Rail option wall hoods (R) come with a classic stainless steel decorative rail and stand-offs—optional platinum or brass rail available to match dual fuel range bezels
- ▶ Internal, in-line and remote blower options
- ▶ Heavy-duty 16-gauge brushed stainless steel construction
- ▶ Stainless steel enclosed liner
- ▶ Continually welded seams, hemmed edges and sides and hand finished craftsmanship
- ▶ Recessed easy access controls
- ▶ Infinite speed blower control
- ▶ Heat sentry feature automatically turns unit on when heat is sensed and automatically adjusts blower speed
- ▶ Halogen lighting with two settings
- ▶ Removable, dishwasher-safe, restaurant-grade stainless steel baffle filters and grease cups
- ▶ Transition with backdraft damper included
- ▶ UL listed to US and Canadian safety standards
- ▶ UL approved for covered outdoor applications
- ▶ Two and five year residential warranty - exclusions apply; warranty information can be found on our website, wolfappliance.com

**OVERALL DIMENSIONS** ▼



Unit dimensions may vary by  $\pm 1/8"$  (3).

Dimensions in parentheses are in millimeters unless otherwise specified.

## Pro 42" (1067) Wall Chimney Hood

MODEL PWC422418(R)

### BLOWER OPTIONS ▼

600 CFM Internal Blower as of Fall 2007	801644 801314
900 CFM Internal Blower as of Fall 2007	801645 801315
1100 CFM In-Line Blower	808332
900 CFM Remote Blower	801641
1200 CFM Remote Blower	801642
1500 CFM Remote Blower	804701

*Refer to Pro Ventilation Recommendations at the end of this section.*

### ACCESSORIES

- ▶ Platinum or brass decorative rail and stand-offs
- ▶ 38" (965) high stainless steel backsplash with warming racks
- ▶ 38" (965) high stainless steel backsplash
- ▶ 6" (152), 12" (305), 18" (457) and 24" (610) duct covers

*Accessories are available through your Wolf dealer. To obtain local dealer information, visit the Locator section of our website, [wolfappliance.com](http://wolfappliance.com).*

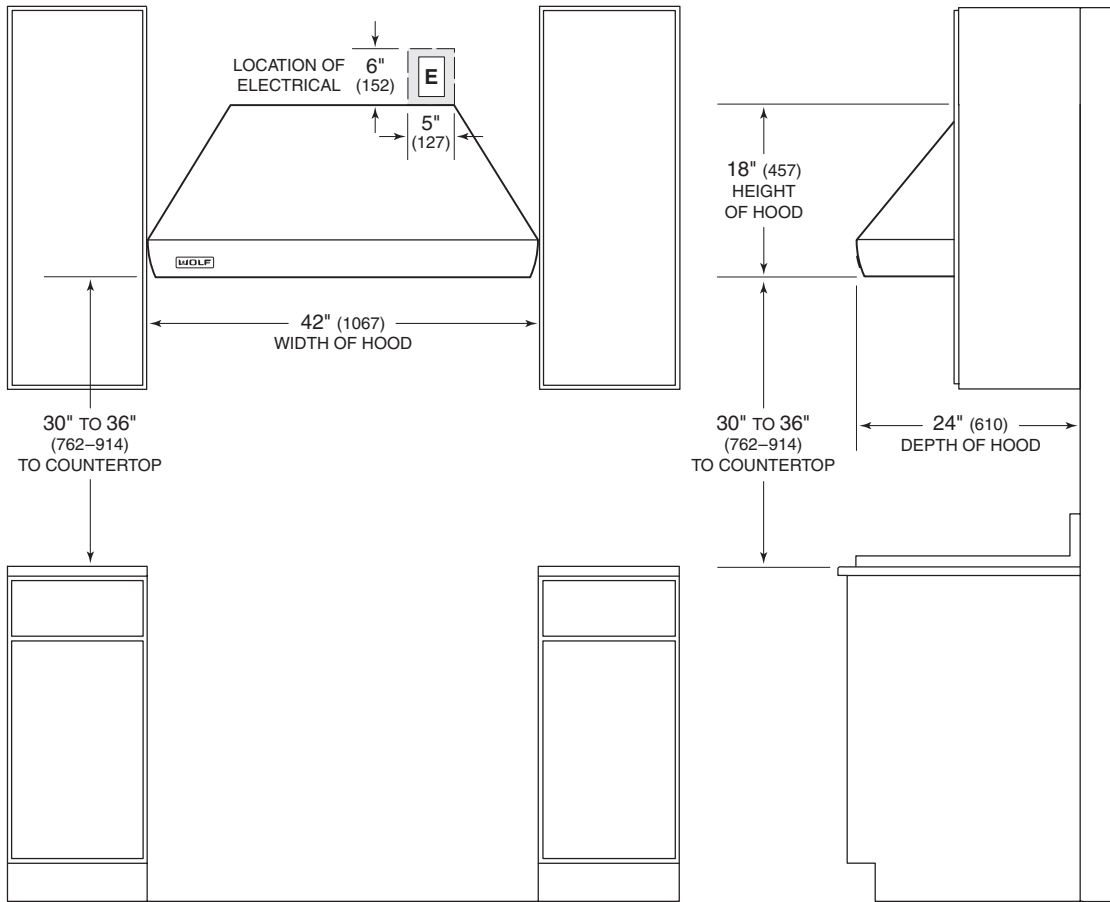
### SPECIFICATIONS ▼

Overall Width of Hood	42" (1067)
Overall Height of Hood	18" (457)
Overall Depth of Hood - PWC422418 PWC422418R (including rail)	24" (610) 26" (660)
Internal Blower Options	600 or 900 CFM
In-Line Blower Option	1100 CFM
Remote Blower Options	900, 1200 or 1500 CFM
Discharge	Vertical
Duct Size	10" (254) Round
Electrical Supply Requirements	110/120 V AC, 60 Hz 15 amp dedicated circuit
Shipping Weight (shell only)	86 lbs (39 kg)

*Specifications are subject to change without notice.*

**Pro 42" (1067) Wall Chimney Hood**  
MODEL PWC422418(R)

**INSTALLATION SPECIFICATIONS**



NOTE: Pro wall chimney hoods have a vertical discharge.

**DIMENSIONS**

Overall Width of Hood	42" (1067)
Overall Height of Hood	18" (457)
Overall Depth of Hood (excluding rail)	24" (610)
Countertop to Bottom of Hood	30" (762) to 36" (914)
Location of Electrical	Within shaded area

See Installation Instructions shipped with unit for detailed specifications.

**Pro 42" (1067) Wall Chimney Hood**  
**MODEL PWC422418(R)**

**INSTALLATION NOTES**

- ▶ Refer to the illustrations and specifications for overall dimensions and installation specifics.
- ▶ Wolf Pro wall chimney ventilation hoods are recommended for use with any Wolf cooking appliance, and should be as least as wide as the cooking surface. It is recommended that the hood overlap the cooking surface by 3" (76) on either side.
- ▶ Optional 6" (152), 12" (305), 18" (457) and 24" (610) duct covers are available as a sales accessory to complete the chimney design.
- ▶ Installation of all Pro wall chimney hoods should be 30" (762) to 36" (914) from the bottom of the hood to the countertop. Follow the dimensions shown in the Installation illustration.
- ▶ Wolf Pro wall chimney hoods are shipped without a blower assembly. Internal, in-line or remote blower assemblies are available. Blower options also vary with the volume of air that needs to be moved and the length of the duct run. Refer to page 8 for Pro Ventilation CFM Recommendations and Blower Options.

**IMPORTANT NOTE:** Install this ventilation hood only with a Wolf blower.

- ▶ Pro wall chimney hoods require a separate, grounded 110/120 V AC, 60 Hz power supply. The service should have its own 15 amp circuit breaker. Placement of the electrical supply is not critical, as long as you provide enough 120 V AC, 60 Hz power cable to make the electrical connection. Locate electrical within the shaded area shown in the Installation illustration.
- ▶ You must follow all National Electrical Code regulations. In addition, be aware of local codes and ordinances when installing your service.
- ▶ Refer to the installation instructions shipped with each Wolf product for detailed specifications. This information can also be found on our website, [wolfappliance.com](http://wolfappliance.com).

**Pro 42" (1067) Wall Chimney Hood**  
**MODEL PWC422418(R)**

**DUCTING CONSIDERATIONS**

Wolf Pro wall chimney ventilation hoods are shipped without the blower assembly. Internal, in-line and remote blower assemblies are available.

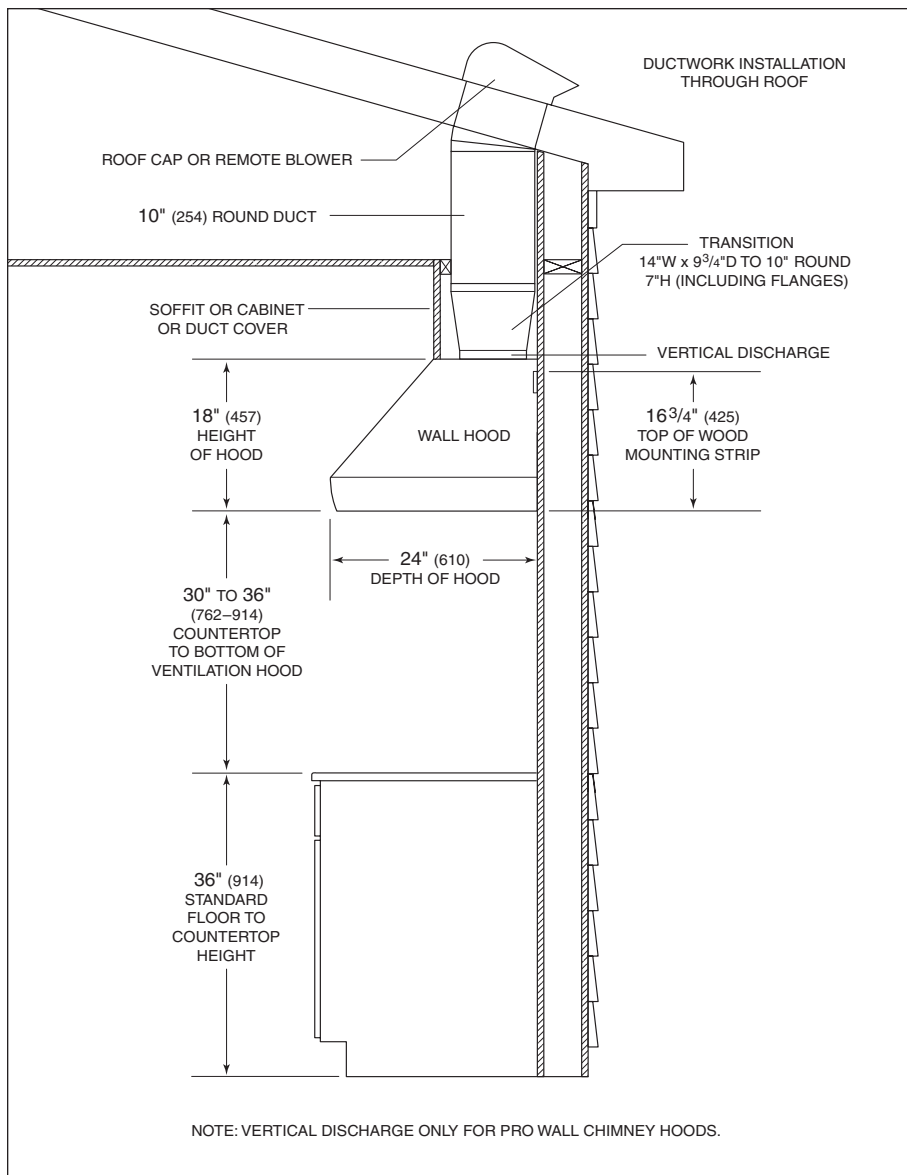
**IMPORTANT NOTE:** Install this ventilation hood only with a Wolf blower.

Wolf Pro wall chimney hoods have a vertical discharge location with 10" (254) round duct. A transition with backdraft damper is included. The hood will operate most efficiently when ductwork does not exceed 50' (15 m) in length.

Local building codes may require the use of make-up air. Consult your local HVAC professional for specific requirements in your area.

**IMPORTANT NOTE:** Wolf Pro wall chimney hoods must be vented to the outside. Use only metal ductwork.

Refer to the illustration below for ducting considerations for Pro wall chimney hoods.



*Ducting for Pro wall chimney hoods.*

*Dimensions in parentheses are in millimeters unless otherwise specified.*

**Pro 42" (1067) Wall Chimney Hood**  
MODEL PWC422418(R)

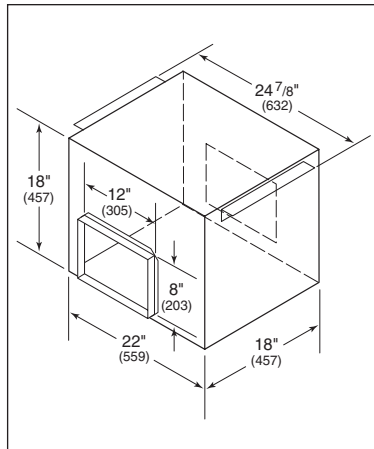
**WOLF BLOWER ASSEMBLIES**

A ventilation system must include a blower assembly. Wolf ventilation hoods are shipped without the blower assembly. An internal, in-line or remote blower assembly must be selected to accommodate the cooking appliance, CFM requirements and homeowner preferences. Internal, in-line and remote blower assemblies are available as sales accessories through your Wolf dealer.

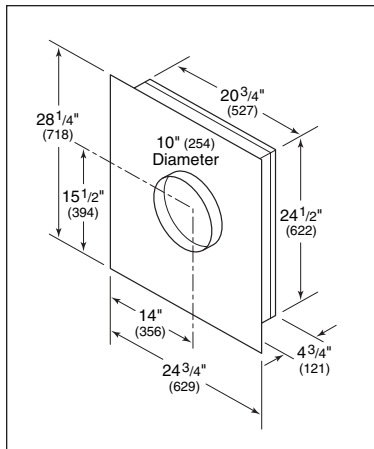
**IMPORTANT NOTE:** Use only a Wolf blower with all Wolf ventilation products.

Internal blowers are mounted inside the hood canopy. In-line blowers are mounted in between the hood and the exterior of the home. Remote blowers can be mounted on the roof or in some cases, on an exterior wall. Refer to the illustrations below for dimensions of Wolf in-line and remote blowers.

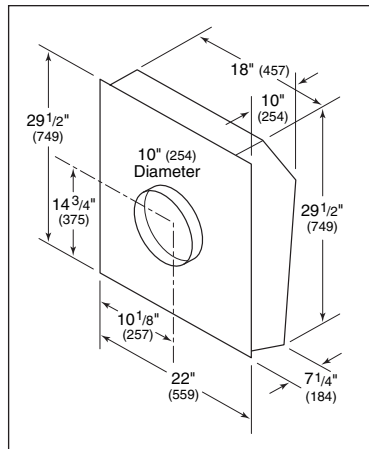
Pro ventilation recommendation charts on the following page provide minimum CFM recommendations according to the cooking appliance and ventilation hood used and blower options for each specific Pro wall chimney hood.



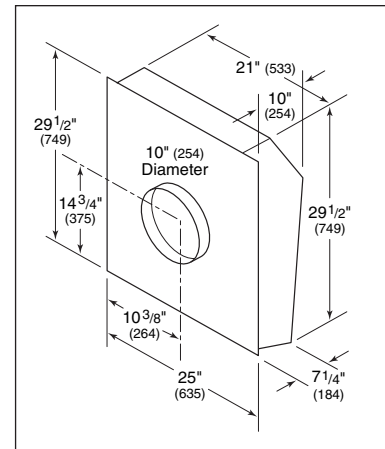
*In-line BLOWER-110IL*



*Remote BLOWER-90REM*



*Remote BLOWER-120REM*



*Remote BLOWER-150REM*

*Unit dimensions may vary by ± 1/8" (3).*

*Dimensions in parentheses are in millimeters unless otherwise specified.*

## Pro 42" (1067) Wall Chimney Hood

MODEL PWC422418(R)

### PRO VENTILATION CFM RECOMMENDATIONS

#### Pro Wall Chimney Hoods

Model	PWC362418	PWC422418	PWC482418	PWC542418
DF304 / R304 / SRT304	600	600		
DF366 / R366 / SRT366 / RT366	900	900		
DF364 / R364 / SRT364 / RT364	900	900		
RT362	900	900		
R488 / RT488			1100	1100
DF486 / R486 / SRT486 / RT486			1100	1100
DF484 / R484 / SRT484 / RT484			1100	1100

*Minimum CFM requirements for Wolf ranges and rangetops. Additional CFM may be required for charbroilers, griddles and long duct runs.*

### PRO VENTILATION BLOWER OPTIONS

#### Pro Wall Chimney Hoods

Blower Description	Blower Number	Wall Chimney Hood Models
600 CFM Internal	CTBLOWER-60INT (801644 - 810314 as of Fall 2007)	PWC362418 / PWC422418
900 CFM Internal	CTBLOWER-90INT (801645 - 810315 as of Fall 2007)	PWC362418 / PWC422418
1200 CFM Internal	IBLOWER-120INT (804703 - 810317 as of Fall 2007)	PWC482418 / PWC542418
1100 CFM In-Line	BLOWER-110IL (808332)	All Pro Wall Chimney Hoods
900 CFM Remote	BLOWER-90REM (801641)	All Pro Wall Chimney Hoods
1200 CFM Remote	BLOWER-120REM (801642)	All Pro Wall Chimney Hoods
1500 CFM Remote	BLOWER-150REM (804701)	All Pro Wall Chimney Hoods