

Installation Considerations

Wolf pro wall chimney hoods are recommended for use with all Wolf cooking appliances and should be at least as wide as the cooking surface. The ventilation hood should be installed 30" (762) to 36" (914) above the countertop.

- Proper installation is the responsibility of the installer. Product failure due to improper installation is not covered under the Wolf warranty. Refer to the Wolf pro ventilation hoods use & care guide for warranty details, or visit the contact & support section of our website, wolfappliance.com.
- Make sure you have the tools and materials necessary for proper installation.
- Warranty service must be performed by a Wolf authorized service center. Wolf is not responsible for service required to correct a faulty installation.

MATERIALS INCLUDED WITH HOOD:

- Transition with backdraft damper—attached inside hood (needs to be removed)
- Two control knobs
- Filters and grease cups (installed in hood)
- Wood mounting strip
- Installation package and hardware
- Installation guide, use & care guide and product registration card
- Wolf logo nameplate

⚠ CAUTION

When performing installation, servicing or cleaning the ventilation hood, it is recommended that safety glasses and gloves be worn.

BLOWER ASSEMBLIES

Wolf pro ventilation hoods are shipped without the blower assembly. Internal, in-line and remote blowers are available through your authorized Wolf dealer. For local dealer information, visit the find a showroom section of our website, wolfappliance.com.

The blower will vary in size and is dictated by the cooking surface, the volume of air that needs to be moved and the length of the duct run. Refer to ventilation recommendations in the Wolf design guide.

IMPORTANT NOTE: Use only a Wolf blower with the pro ventilation hood.

DUCT COVER

Optional stainless steel duct covers are available in a variety of heights for all pro ventilation hoods through your authorized Wolf dealer. For local dealer information, visit the find a showroom section of our website, wolfappliance.com.

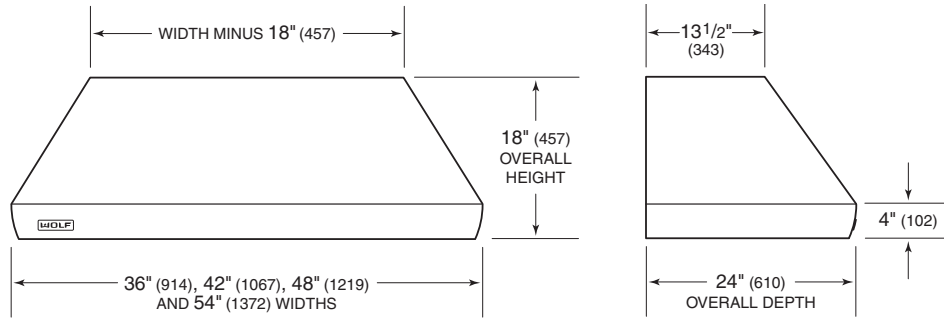
IMPORTANT NOTE: Installing a duct cover will impact all aspects of the hood installation including hood location, ducting, electrical placement and the mounting surface.

BACKSPLASH

Optional stainless steel backsplashes are available in widths to match all pro wall hoods through your authorized Wolf dealer. For local dealer information, visit the find a showroom section of our website, wolfappliance.com.

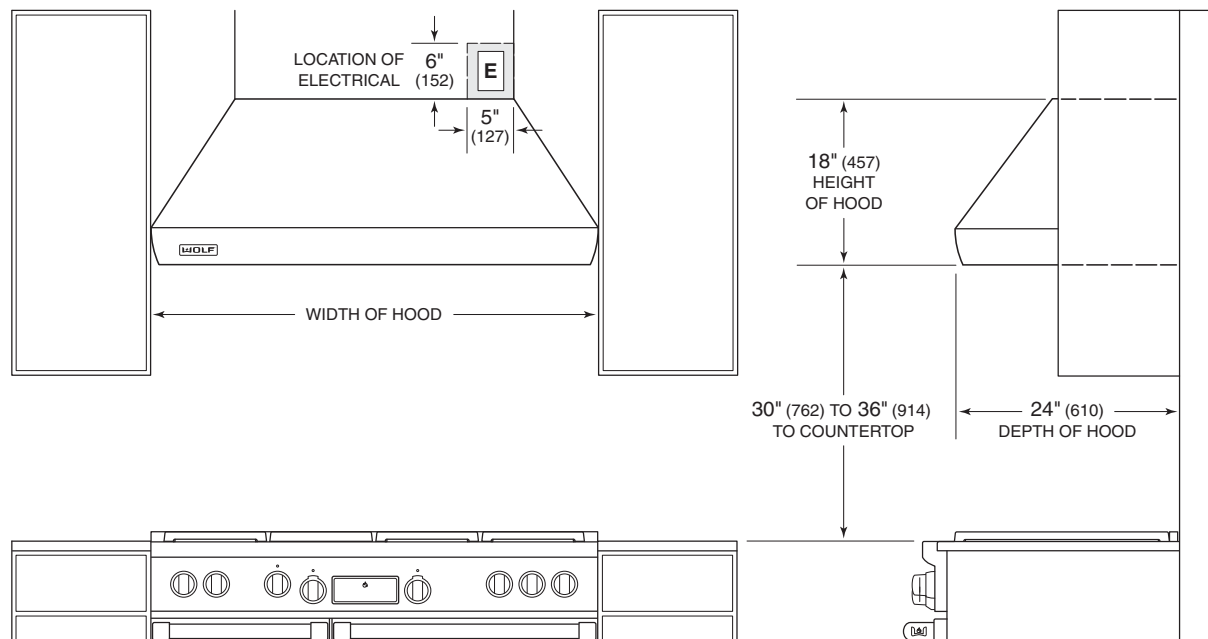
Overall Dimensions

PRO WALL CHIMNEY HOODS



Installation Specifications

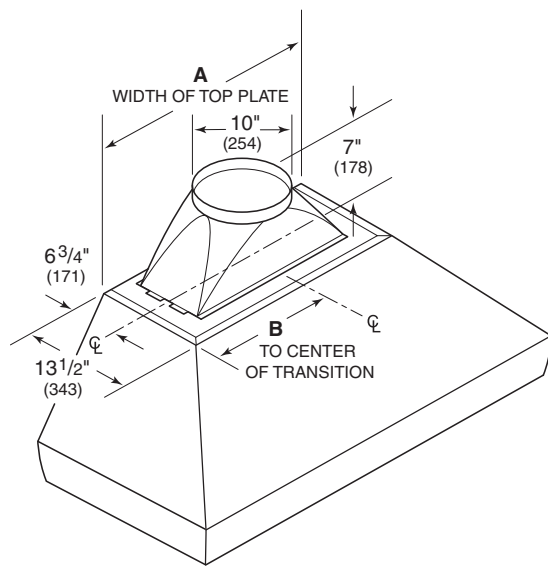
PRO WALL CHIMNEY HOODS



Installation Specifications

The illustration below provides dimensions critical for proper installation of the pro wall chimney hood. Dimensions A and B in the illustration will vary with the width of the hood. Refer to the chart below.

Pro Wall Chimney Hoods		
WIDTH OF HOOD	A	B
36" (914)	18" (457)	9" (228)
42" (1067)	24" (610)	12" (304)
48" (1219)	30" (762)	15" (381)
54" (1371)	36" (914)	18" (457)



Pro wall chimney hoods.

Electrical Requirements

Wolf pro ventilation hoods require a separate, grounded 120 V AC, 60 Hz power supply. The service should have its own 15 amp circuit breaker. Locate the electrical supply through the top of the hood, within the shaded area shown in the installation specifications illustration on the previous page.

IMPORTANT NOTE: You must follow all National Electrical Code regulations. In addition, be aware of local codes and ordinances when installing your service.

⚠ WARNING

Risk of electrical shock. This ventilation hood must be properly grounded. Electrical service for the hood must be installed by a qualified electrician in accordance with all applicable national and local electrical codes.

Install Ductwork

⚠ WARNING

To reduce the risk of fire, use only metal ductwork.

IMPORTANT NOTE: Pro ventilation hoods must exhaust to the outdoors.

Wolf recommends that the pro wall chimney hood be installed 30" (762) to 36" (914) above the countertop. Consult a qualified HVAC engineer for specific ducting applications.

A 10" (254) round duct is recommended for pro ventilation hoods. Use only rigid metal ductwork, do not use flex ducting.

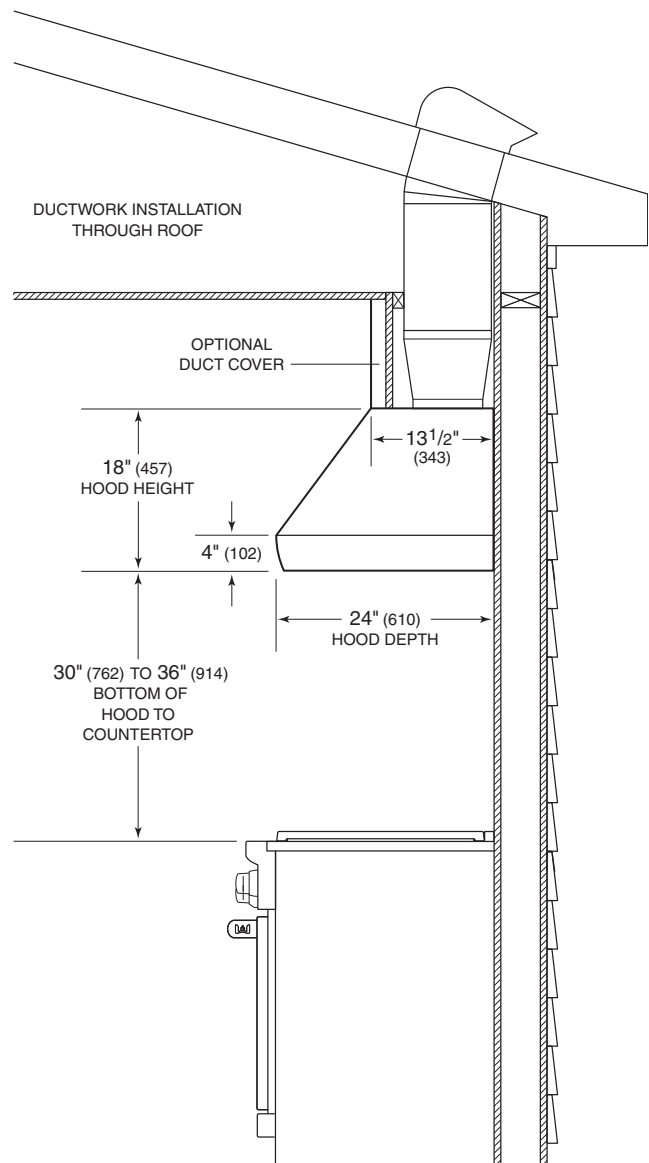
Decide where the ductwork will run between the wall chimney hood and the outside. Pro wall chimney hoods have a vertical discharge. A straight, short duct run will allow the ventilation hood to perform most efficiently. Limit the number of elbows and transitions. The duct run should be no longer than 50' (15 m). There is a possibility of noise issues, if a remote blower is used with a short duct run.

Unless you are using a remote blower, a roof or wall cap must be installed. Connect 10" (254) round metal ductwork to the cap and work back towards the hood. Use duct sealing tape to seal joints between ductwork sections.

Pro wall chimney hoods have a backdraft damper included in the transition assembly. Local codes may require the use of an additional backdraft damper. Contact your local HVAC professional for specific requirements. In cold weather installations, a backdraft damper is necessary to minimize the backflow of cold air into the room.

Local building codes may require the use of make-up air. Consult your local HVAC professional for specific requirements in your area.

PRO WALL CHIMNEY HOODS



Blower Assemblies

Pro ventilation hoods are shipped without the blower assembly. Internal, in-line and remote blowers are available through your authorized Wolf dealer. For local dealer information, visit the find a showroom section of our website, wolfappliance.com.

The blower will vary in size and is dictated by the cooking surface, the volume of air that needs to be moved and the length of the duct run. Refer to ventilation recommendations in the Wolf design guide.

IMPORTANT NOTE: Use wire connectors or wire nuts approved by UL or C/UL.

⚠ CAUTION
To reduce the risk of fire and electric shock, install this ventilation hood only with a blower manufactured by Wolf.

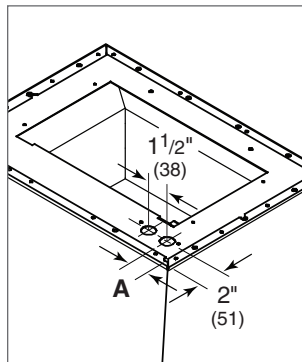
⚠ WARNING
Before making electrical connections, make sure the electrical power is turned off at the service panel.

Internal Blowers

WIRING FOR INTERNAL BLOWER

- 1) Remove the hood electrical box cover. Run Romex® wire from a 120 V AC, 15 amp circuit to the hood installation location. Insert the Romex® wire into the electrical box by running it through the wire clamp previously installed. Tighten the wire clamp to secure the wire. Refer to the illustration and chart below for the location of wiring for your specific hood. Do not remove the wire connector on the orange wire in the hood electrical box.
- 2) Using the wire connectors provided, connect black wire to power supply black wire, white wire to power supply white wire and green or bare wire from power supply to green ground screw in the electrical box.
- 3) Place all wiring connections inside the electrical box and reinstall the cover. Make sure all wires are secure and that no wires are pinched between the cover and electrical box.

Location of Hood Wiring	
WIDTH OF HOOD	A
36" (914)	2" (51)
42" (1067)	3" (76)
48" (1219)	4" (102)
54" (1371)	4" (102)



Location of hood wiring.