

1 KITCHEN ELEVATION - NORTH
SCALE: 1/2" = 1' 0"

Classic Bath Designs, Inc.
11544 Sheldon St., Sun Valley, CA 91352
818.767.1144 fax: 818.767.1278

Cust: CBA for Magnolia

PO# KITCHEN

Scale: As Noted

Approved _____

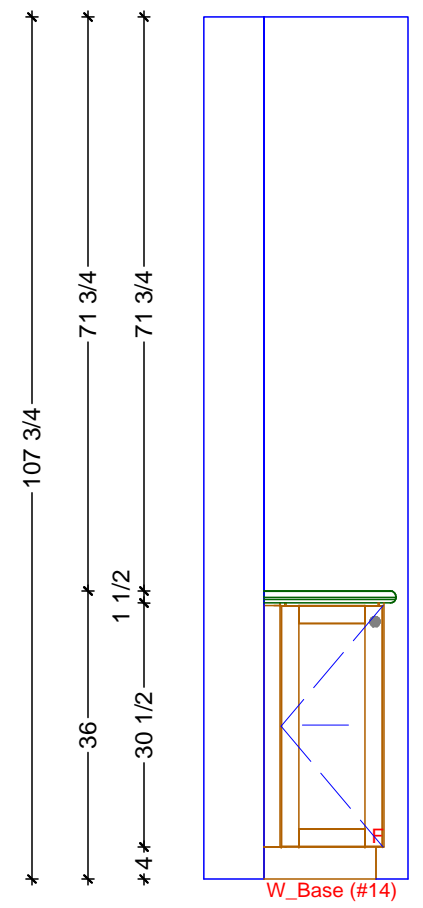
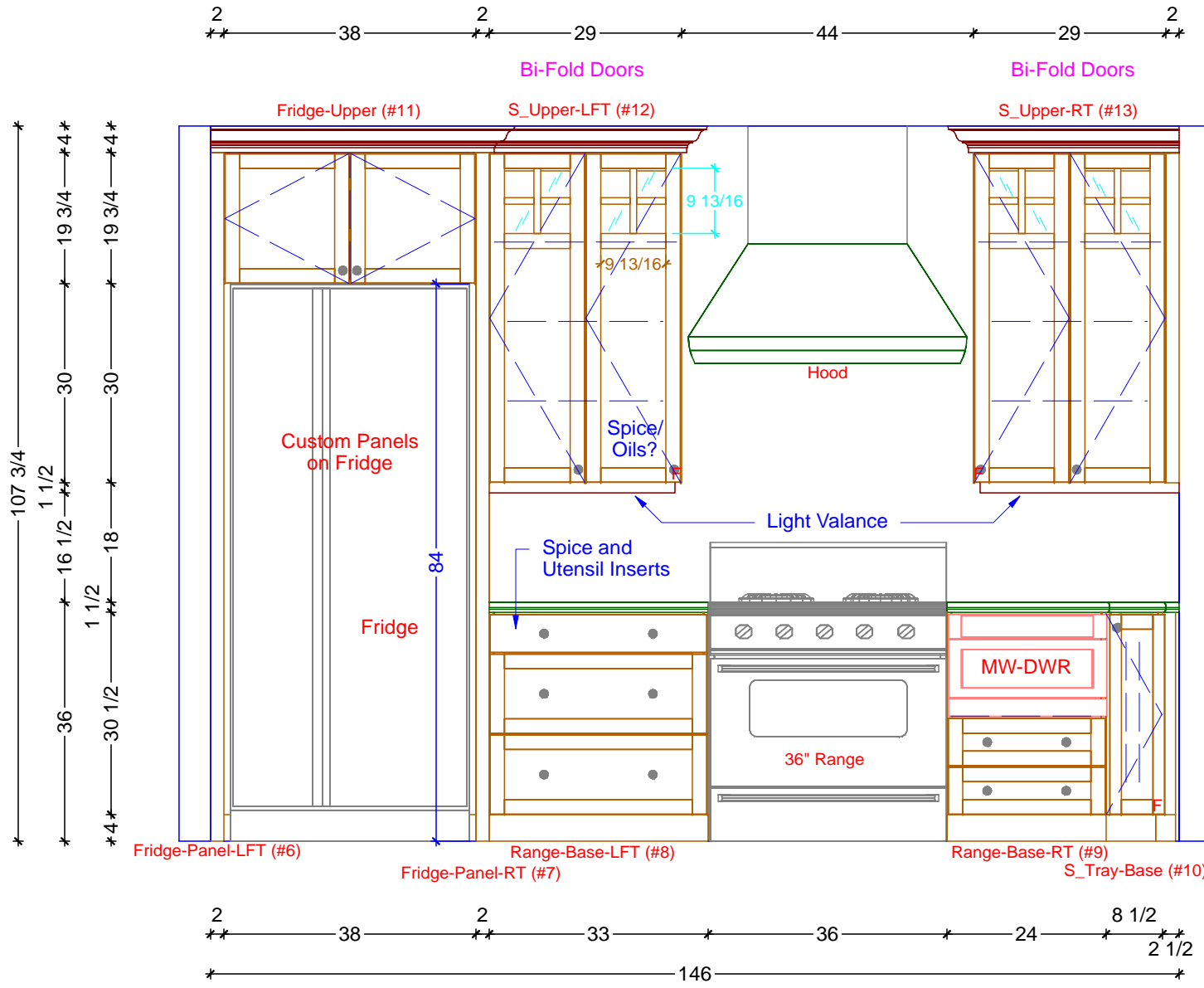
Job: FL-S_MelWh/Pg/Alder_Stk-Wh/Sing-Tone_IntEB:MelWh

Size: A

Dr By: Brian

02/28/2016

K.1

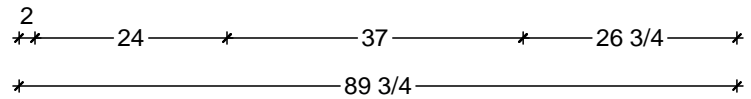
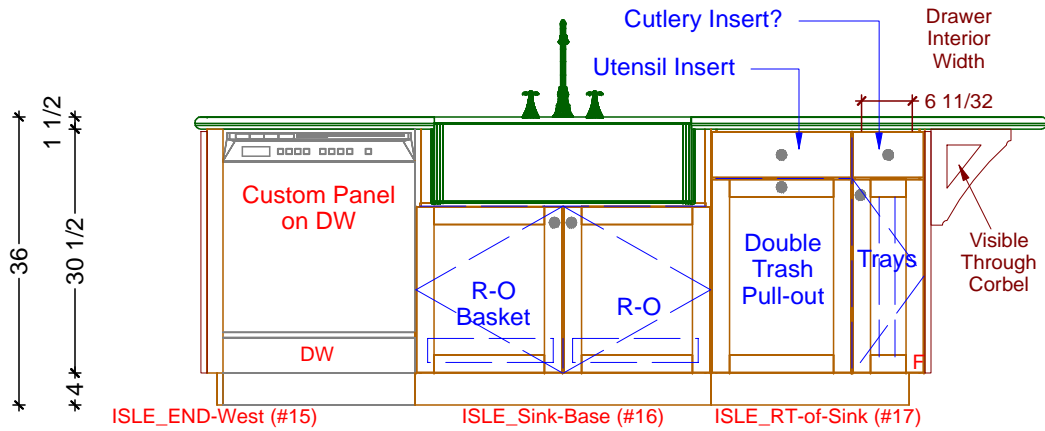


1 KITCHEN ELEVATION - SOUTH
SCALE: 1/2" = 1' 0"

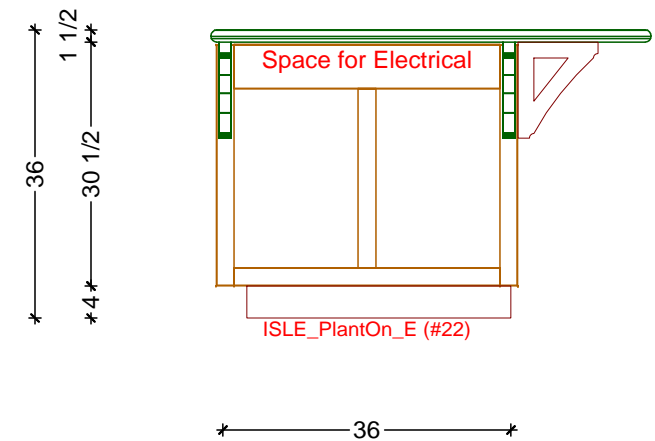
2 XTRA-CAB WEST
SCALE: 1/2" = 1' 0"

Classic Bath Designs, Inc.
11544 Sheldon St., Sun Valley, CA 91352
818.767.1144 fax: 818.767.1278

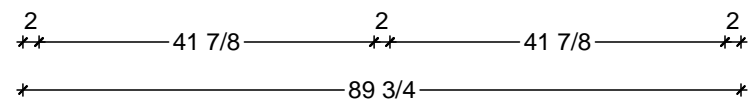
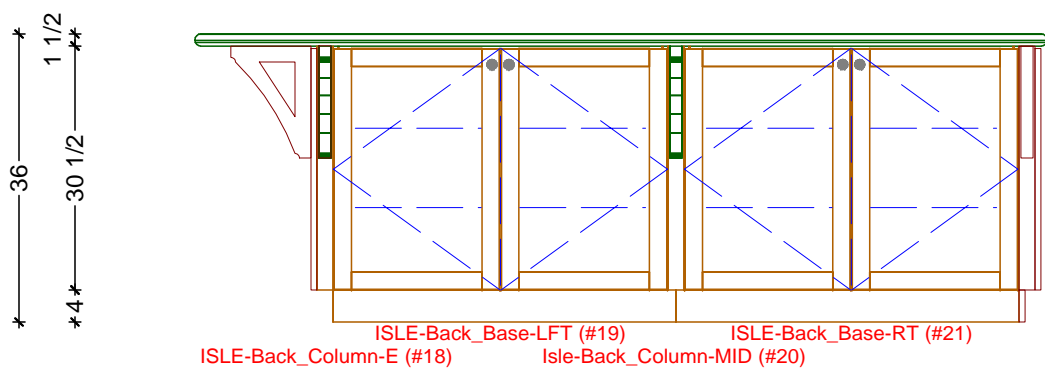
Cust: CBA for Magnolia	PO# KITCHEN	Scale: As Noted	K.2	
Approved _____	Job: FL-S_MelWh/PG/Alder_Stk-Wh/Sing-Tone_IntEB:MelWh	Size: A		



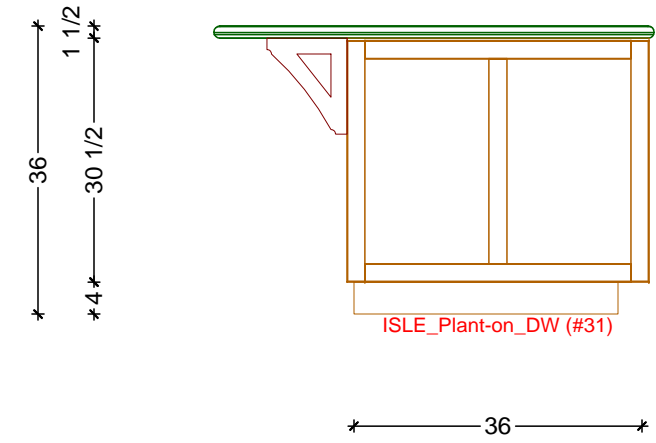
1 ELEVATION - PENINSULA FACING NORTH
SCALE: 1/2" = 1' 0"



2 ELEVATION - PENINSULA FACING WEST
SCALE: 1/2" = 1' 0"



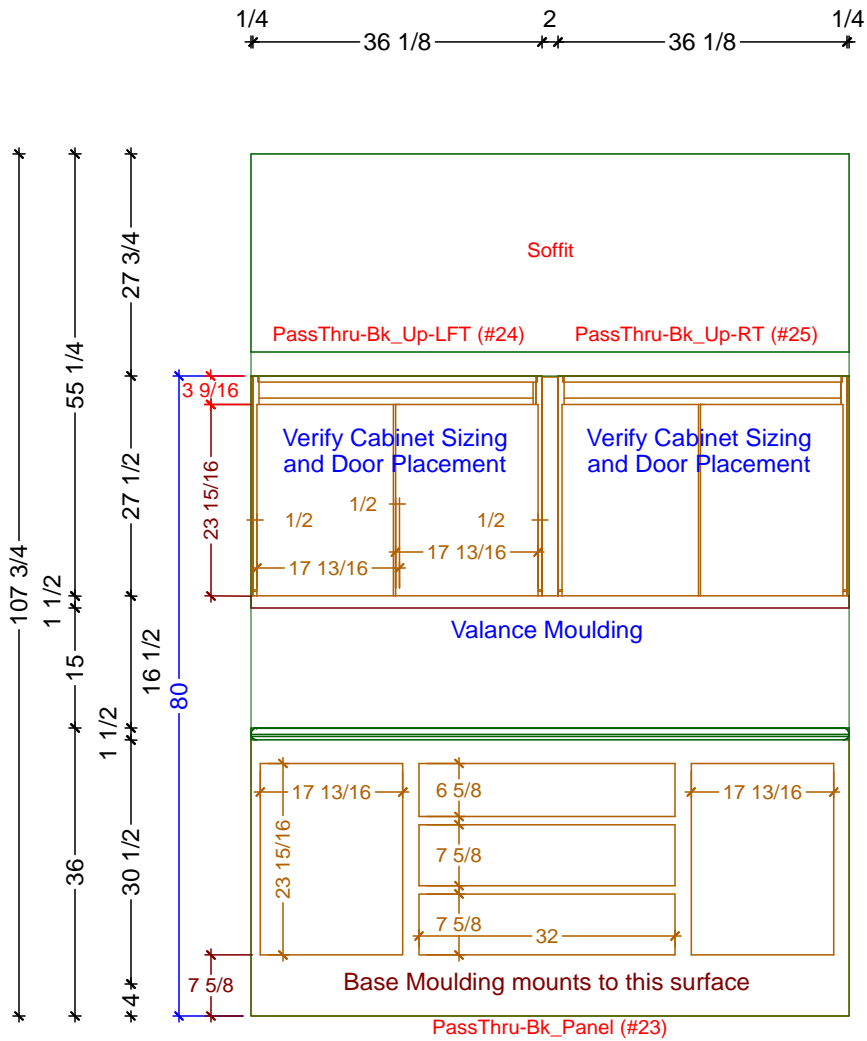
3 ELEVATION - PENINSULA FACING SOUTH
SCALE: 1/2" = 1' 0"



4 ELEVATION - PENINSULA FACING EAST
SCALE: 1/2" = 1' 0"

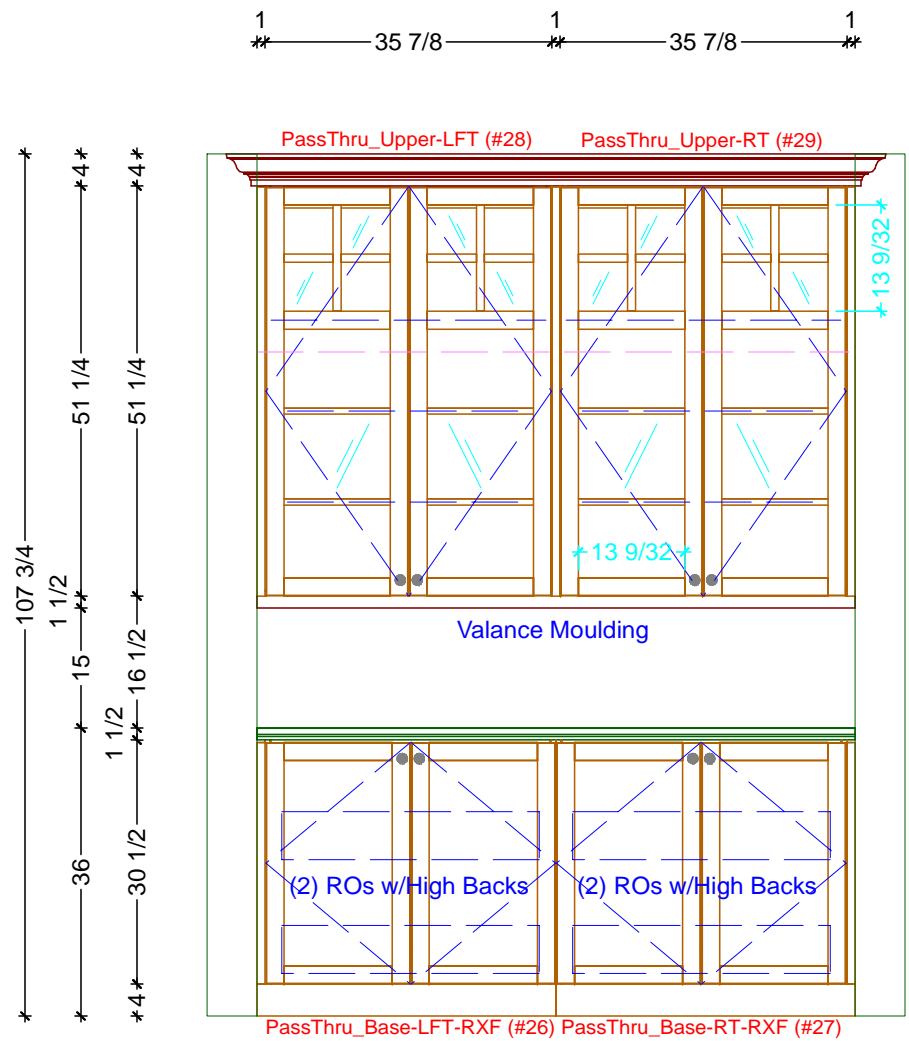
Classic Bath Designs, Inc.
11544 Sheldon St., Sun Valley, CA 91352
818.767.1144 fax: 818.767.1278

Cust: CBA for Magnolia	PO# KITCHEN	Scale: As Noted	K.3
Approved _____	Job: FL-S_MelWh/PG/Alder_Stk-Wh/Sing-Tone_IntEB:MelWh	Size: A	
		Dr By: Brian	02/28/2016



74 3/4
74 3/4

1 PASSTHROUGH - BACKSIDE
SCALE: 1/2" = 1' 0"



1 — 36 3/8 — 36 3/8 — 1
74 3/4

2 PASSTHROUGH - KITCHEN SIDE
SCALE: 1/2" = 1' 0"

Classic Bath Designs, Inc.
11544 Sheldon St., Sun Valley, CA 91352
818.767.1144 fax: 818.767.1278

Cust: CBA for Magnolia

PO# KITCHEN

Scale: As Noted

Approved _____

Job: FL-S_MelWh/Pg/Alder_Stk-Wh/Sing-Tone_IntEB:MelWh

Size: A

Dr By: Brian

02/28/2016

K.4



Classic Bath Designs, Inc.
 11544 Sheldon St., Sun Valley, CA 91352
 818.767.1144 fax: 818.767.1278



Cust: CBA for Magnolia	PO# KITCHEN	Scale: As Noted			
Approved _____	Job: FL-S_MelWh/Pg/Alder_Stk-Wh/Sing-Tone_IntEB:MelWh	Size: A	Dr By: Brian	02/28/2016	Rndr



Classic Bath Designs, Inc.
 11544 Sheldon St., Sun Valley, CA 91352
 818.767.1144 fax: 818.767.1278



Cust: CBA for Magnolia	PO# KITCHEN	Scale: As Noted			
Approved _____	Job: FL-S_MelWh/PG/Alder_Stk-Wh/Sing-Tone_IntEB:MelWh	Size: A	Dr By: Brian	02/28/2016	Rndr



Classic Bath Designs, Inc.
 11544 Sheldon St., Sun Valley, CA 91352
 818.767.1144 fax: 818.767.1278



Cust: CBA for Magnolia

PO# KITCHEN

Scale: As Noted

Approved _____

Job: FL-S_MelWh/Pg/Alder_Stk-Wh/Sing-Tone_IntEB:MelWh

Size: A

Dr By: Brian

02/28/2016

Rndr



Classic Bath Designs, Inc.
 11544 Sheldon St., Sun Valley, CA 91352
 818.767.1144 fax: 818.767.1278



Cust: CBA for Magnolia	PO# KITCHEN	Scale: As Noted	Rndr	
Approved _____	Job: FL-S_MelWh/Pg/Alder_Stk-Wh/Sing-Tone_IntEB:MelWh	Size: A		



Classic Bath Designs, Inc.
 11544 Sheldon St., Sun Valley, CA 91352
 818.767.1144 fax: 818.767.1278



Cust: CBA for Magnolia	PO# KITCHEN	Scale: As Noted		Rndr
Approved _____	Job: FL-S_MelWh/PG/Alder_Stk-Wh/Sing-Tone_IntEB:MelWh	Size: A	Dr By: Brian	