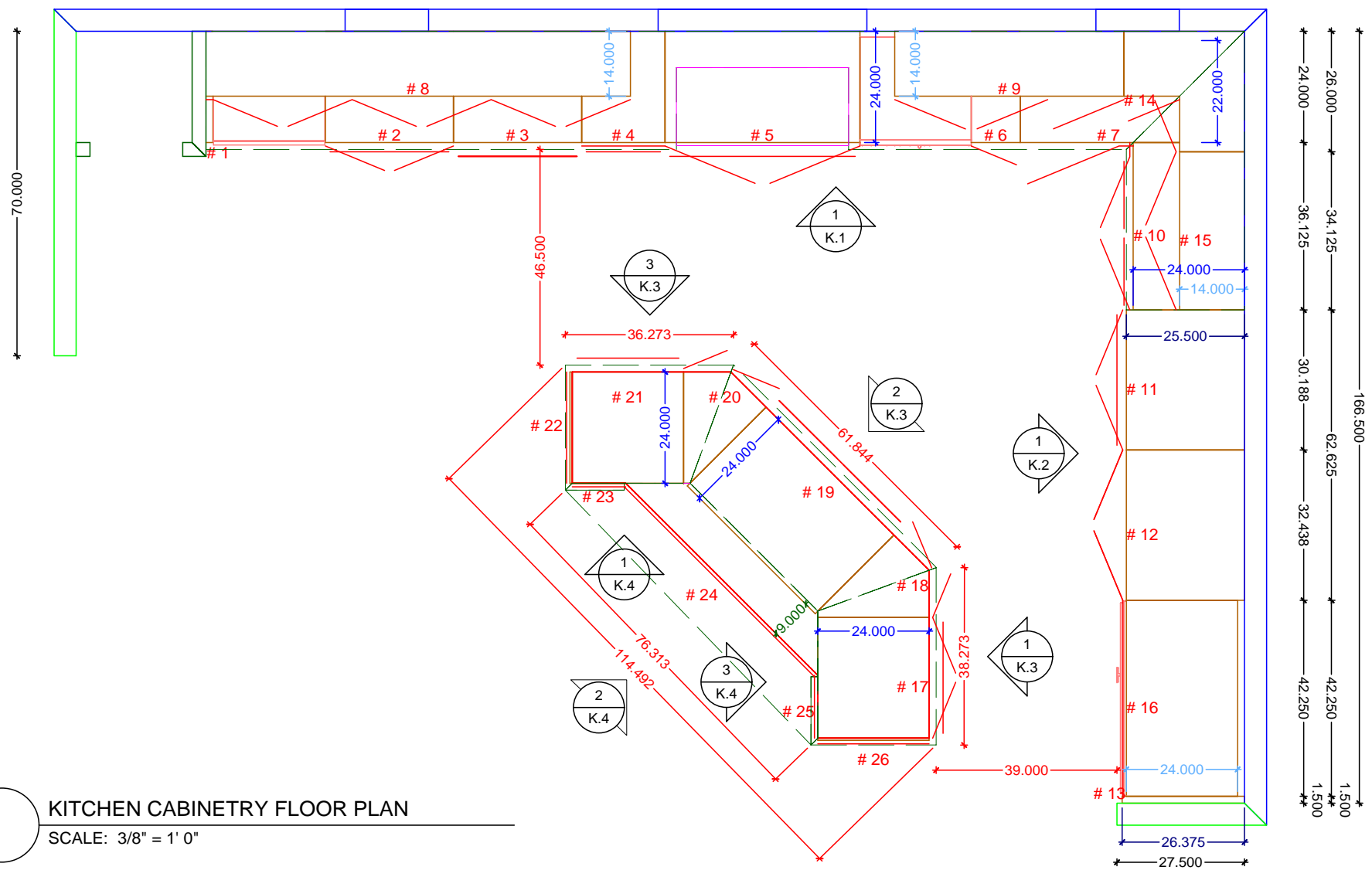


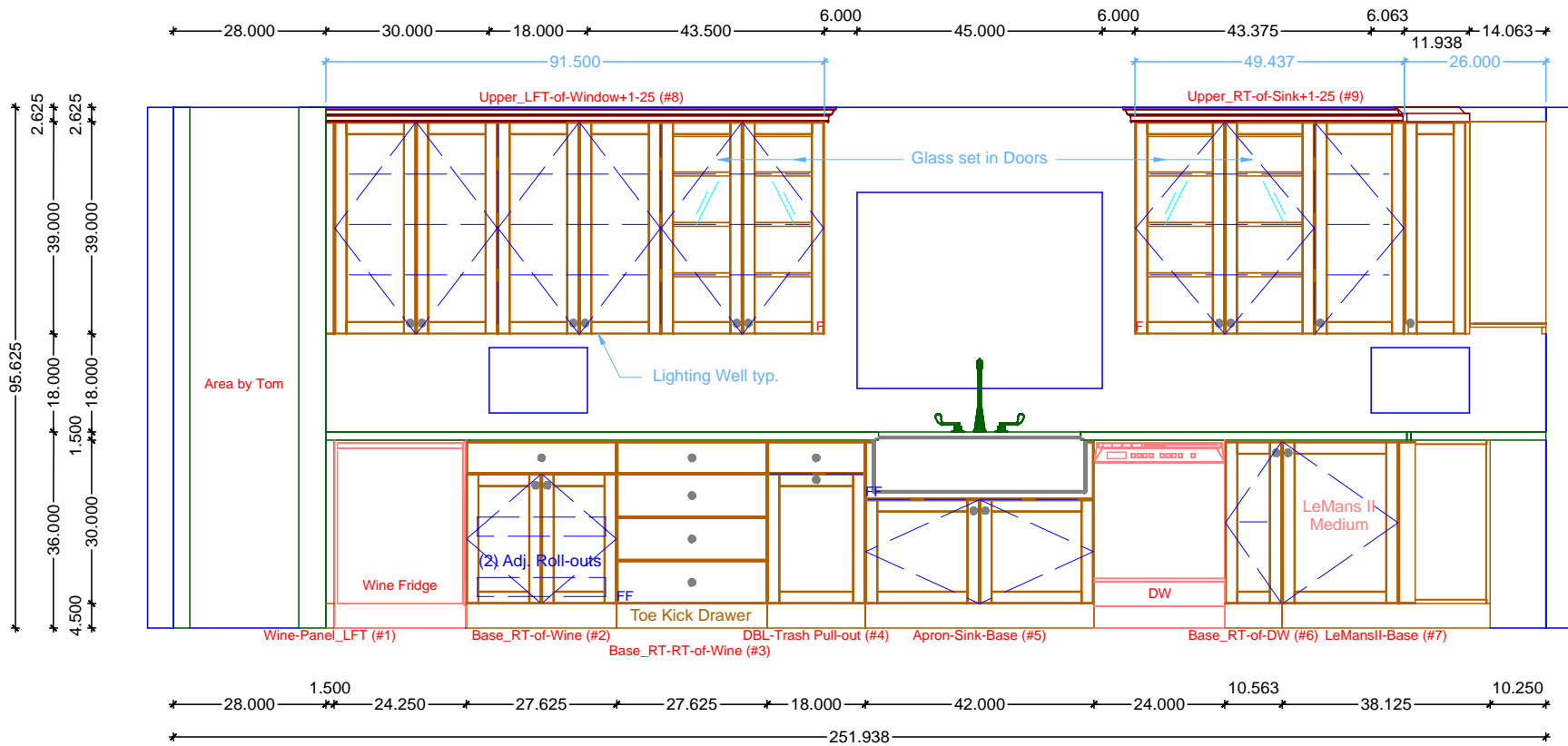
251.938
 6.000
 28.000 30.000 18.000 43.500 45.000 6.000 43.375 6.063
 1.500 24.250 27.625 27.625 18.000 42.000 24.000 10.563 11.938 14.063
 28.000 24.250 27.625 27.625 18.000 42.000 24.000 10.563 38.125 10.250



 KITCHEN CABINETS FLOOR PLAN
 SCALE: 3/8" = 1' 0"

Classic Bath Designs, Inc.
 11544 Sheldon St., Sun Valley, CA 91352
 818.767.1144 fax: 818.767.1278

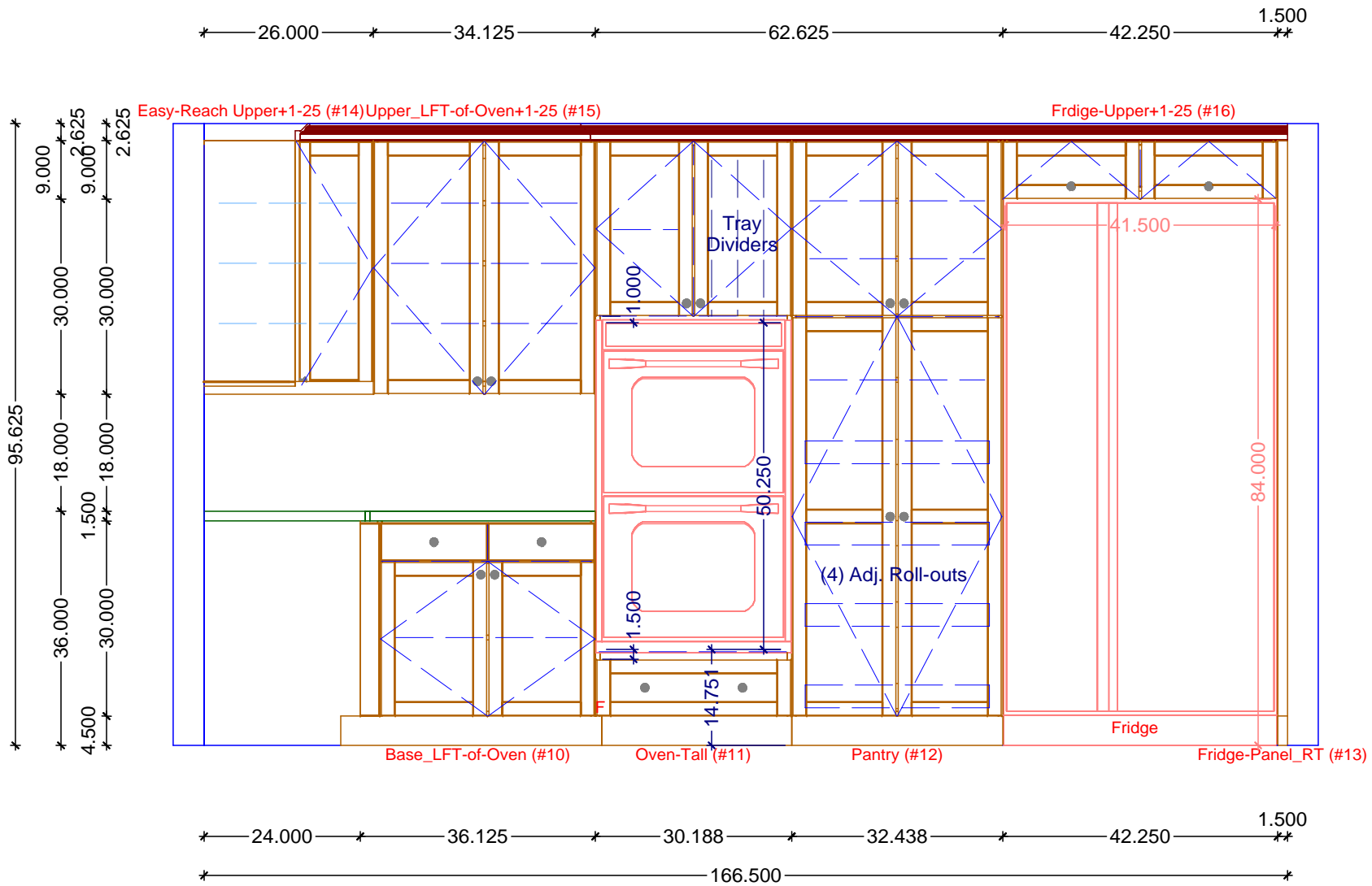
| | | | | |
|-----------------------------|----------------------------------|-----------------|-------------------------|------------|
| Cust: Blackwell for Corbina | PO# KITCHEN | Scale: As Noted | KITCHEN | K.0 |
| Approved _____ | Job: FL-S_PreFIN/PG_IntEB:PreFIN | Size: A | Dr By: Brian 01/19/2018 | |



1 KITCHEN ELEVATION - SINK WALL
 SCALE: 3/8" = 1' 0"

Classic Bath Designs, Inc.
 11544 Sheldon St., Sun Valley, CA 91352
 818.767.1144 fax: 818.767.1278

| | | | | |
|-----------------------------|----------------------------------|-----------------|-------------------------|------------|
| Cust: Blackwell for Corbina | PO# KITCHEN | Scale: As Noted | KITCHEN | K.1 |
| Approved _____ | Job: FL-S_PreFIN/PG_IntEB:PreFIN | Size: A | Dr By: Brian 01/19/2018 | |



1

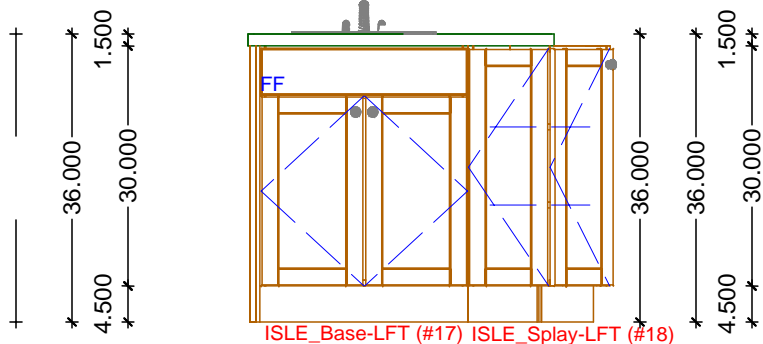
KITCHEN ELEVATION - FRIDGE/OVEN WALL

SCALE: 1/2" = 1' 0"

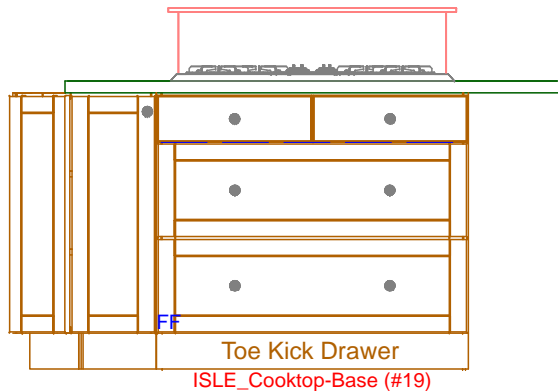
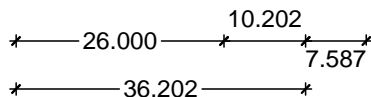
Classic Bath Designs, Inc.
 11544 Sheldon St., Sun Valley, CA 91352
 818.767.1144 fax: 818.767.1278



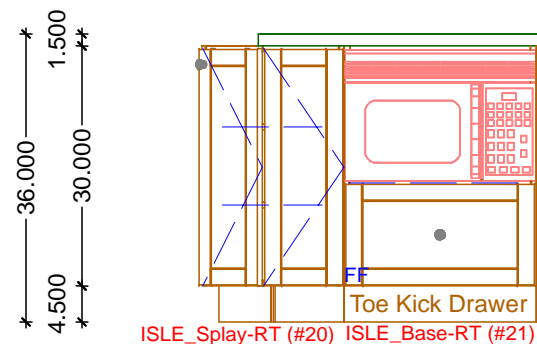
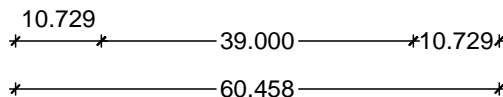
| | | | | |
|-----------------------------|----------------------------------|-----------------|-------------------------|-----|
| Cust: Blackwell for Corbina | PO# KITCHEN | Scale: As Noted | KITCHEN | K.2 |
| Approved _____ | Job: FL-S_PreFIN/PG_IntEB:PreFIN | Size: A | Dr By: Brian 01/19/2018 | |



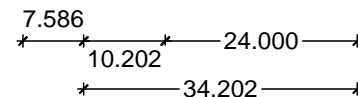
ISLE_Base-LFT (#17) ISLE_Splay-LFT (#18)



ISLE_Cooktop-Base (#19)



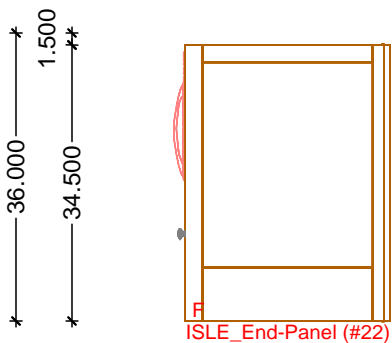
ISLE_Splay-RT (#20) ISLE_Base-RT (#21)



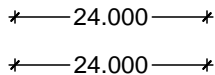
1 KITCHEN ELEVATION - ISLE-FRONT
SCALE: 1/2" = 1' 0"

2 KITCHEN ELEVATION - ISLE-FRONT
SCALE: 1/2" = 1' 0"

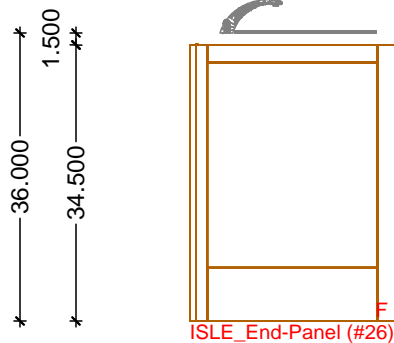
3 KITCHEN ELEVATION - ISLE-FRONT
SCALE: 1/2" = 1' 0"



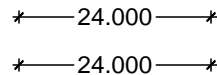
ISLE_End-Panel (#22)



4 KITCHEN ELEVATION - ISLE-END
SCALE: 1/2" = 1' 0"



ISLE_End-Panel (#26)



5 KITCHEN ELEVATION - ISLE-END
SCALE: 1/2" = 1' 0"

Island Cabinetry in PreFIN/Alder

Classic Bath Designs, Inc.
11544 Sheldon St., Sun Valley, CA 91352
818.767.1144 fax: 818.767.1278



Cust: Blackwell for Corbina

PO# KITCHEN

Scale: As Noted

KITCHEN

Approved _____

Job: FL-S_PreFIN/PG_IntEB:PreFIN

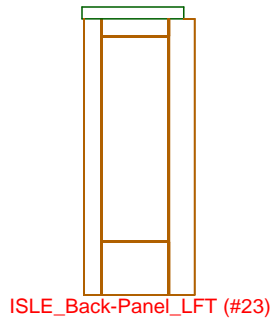
Size: A

Dr By: Brian

01/19/2018

K.3

* 36.000 *
 * 36.000 *
 * 34.500 **
 1.500 **

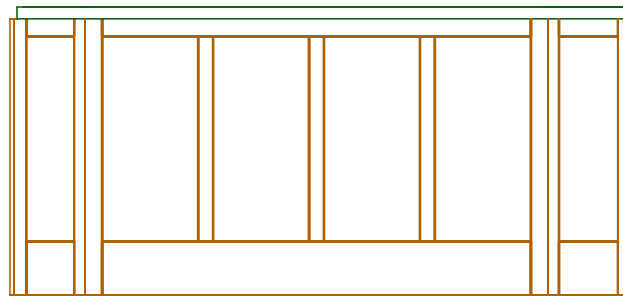


ISLE_Back-Panel_LFT (#23)

11.533
 11.533

1 KITCHEN ELEVATION - ISLE-BACK
 SCALE: 1/2" = 1' 0"

* 36.000 *
 * 36.000 *
 * 34.500 **
 1.500 **

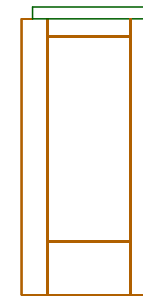


ISLE_Back-Panel_MID (#24)

0.311 * 57.954 * 0.311
 * 58.575 *

2 KITCHEN ELEVATION - ISLE-BACK
 SCALE: 1/2" = 1' 0"

* 36.000 *
 * 36.000 *
 * 34.500 **
 1.500 **



ISLE_Back-Panel_RT (#25)

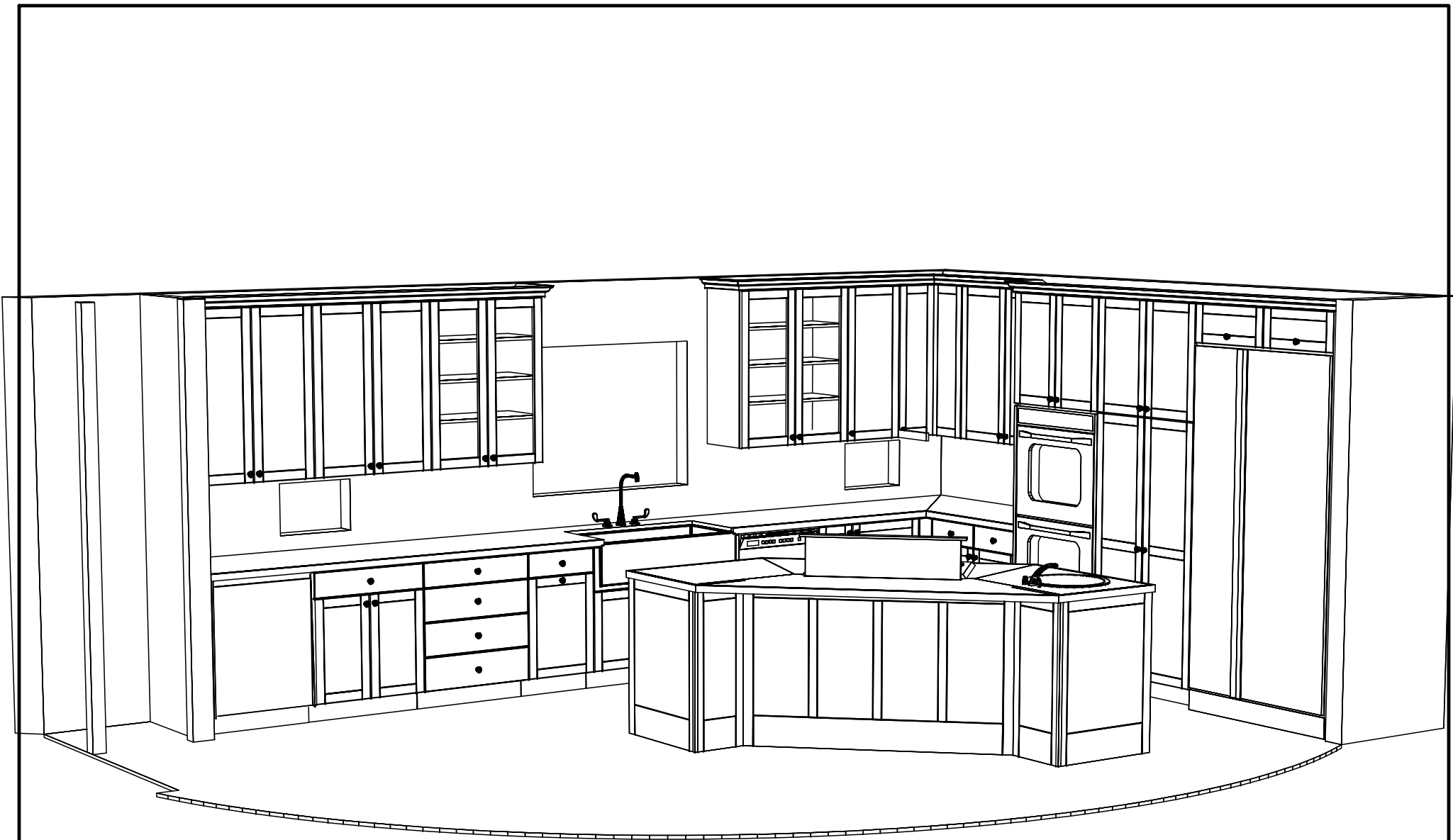
13.533
 13.533

3 KITCHEN ELEVATION - ISLE-BACK
 SCALE: 1/2" = 1' 0"

Classic Bath Designs, Inc.
 11544 Sheldon St., Sun Valley, CA 91352
 818.767.1144 fax: 818.767.1278



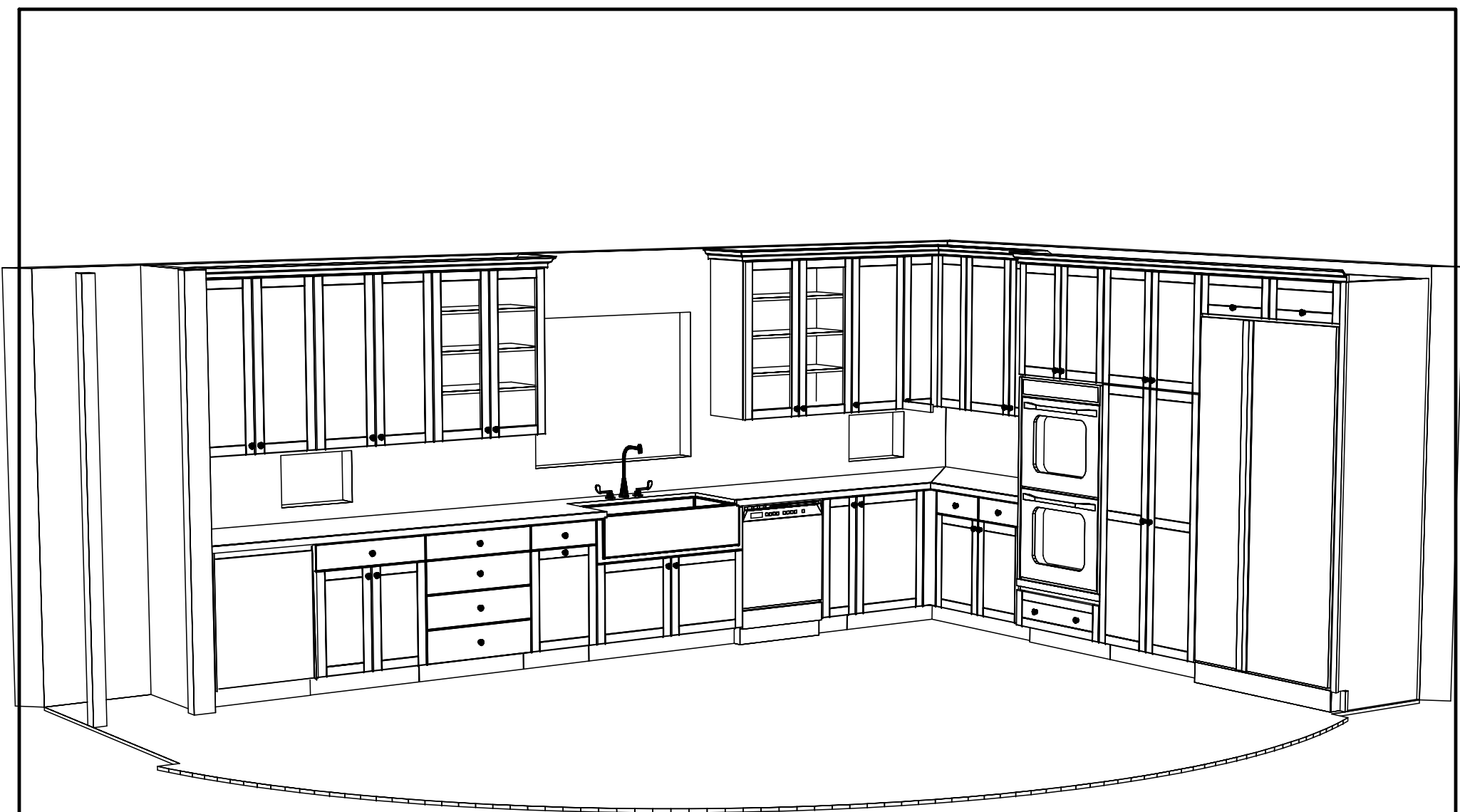
| | | | | |
|-----------------------------|----------------------------------|-----------------|-------------------------|------------|
| Cust: Blackwell for Corbina | PO# KITCHEN | Scale: As Noted | KITCHEN | K.4 |
| Approved _____ | Job: FL-S_PreFIN/PG_IntEB:PreFIN | Size: A | Dr By: Brian 01/19/2018 | |



Classic Bath Designs, Inc.
 11544 Sheldon St., Sun Valley, CA 91352
 818.767.1144 fax: 818.767.1278



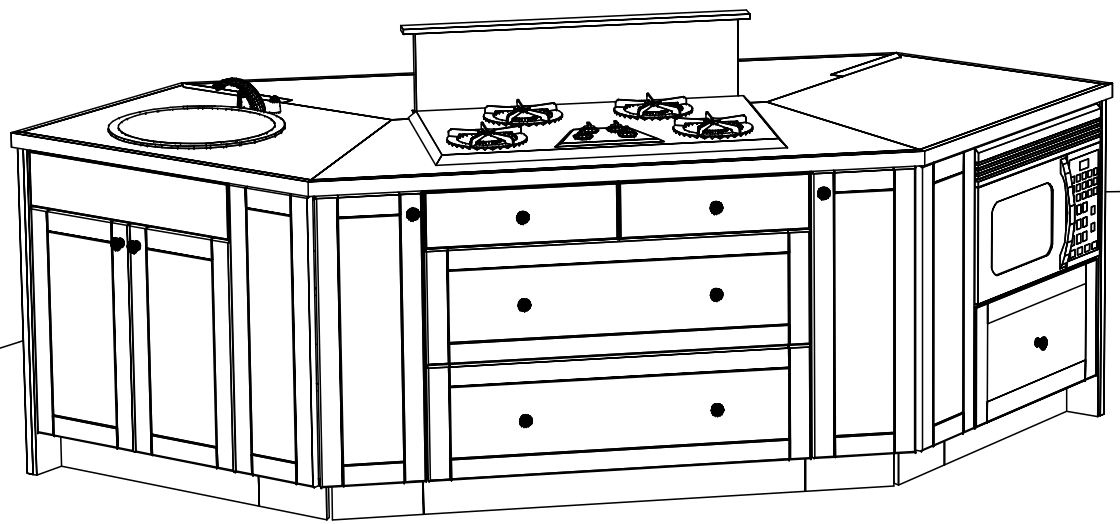
| | | | | |
|-----------------------------|----------------------------------|-----------------|--------------|--------------|
| Cust: Blackwell for Corbina | PO# KITCHEN | Scale: As Noted | KITCHEN | Persp |
| Approved _____ | Job: FL-S_PreFIN/PG_IntEB:PreFIN | Size: A | Dr By: Brian | |



Classic Bath Designs, Inc.
 11544 Sheldon St., Sun Valley, CA 91352
 818.767.1144 fax: 818.767.1278



| | | | | |
|-----------------------------|----------------------------------|-----------------|--------------|--------------|
| Cust: Blackwell for Corbina | PO# KITCHEN | Scale: As Noted | KITCHEN | Persp |
| Approved _____ | Job: FL-S_PreFIN/PG_IntEB:PreFIN | Size: A | Dr By: Brian | |



Classic Bath Designs, Inc.
 11544 Sheldon St., Sun Valley, CA 91352
 818.767.1144 fax: 818.767.1278



| | | | | |
|-----------------------------|----------------------------------|-----------------|--------------|-------|
| Cust: Blackwell for Corbina | PO# KITCHEN | Scale: As Noted | KITCHEN | Persp |
| Approved _____ | Job: FL-S_PreFIN/PG_IntEB:PreFIN | Size: A | Dr By: Brian | |