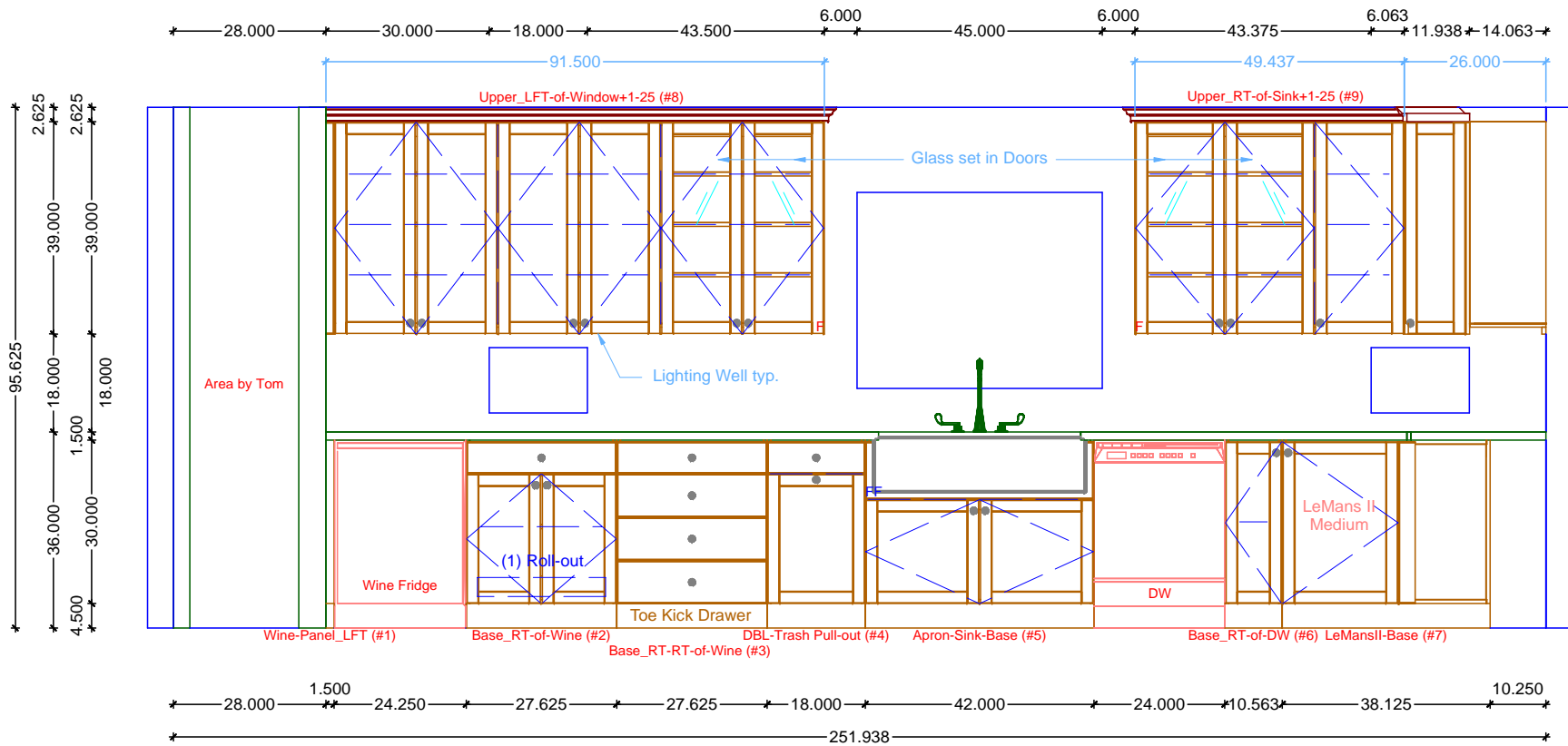



KITCHEN CABINETRY FLOOR PLAN
 SCALE: 3/8" = 1' 0"

Classic Bath Designs, Inc.
 11544 Sheldon St., Sun Valley, CA 91352
 818.767.1144 fax: 818.767.1278



Cust: Blackwell for Corbina	PO# KITCHEN	Scale: As Noted	KITCHEN	K.0
Approved _____	Job: FL-S_PreFIN/PG_IntEB:PreFIN	Size: A	Dr By: Brian 01/19/2018	



1 KITCHEN ELEVATION - SINK WALL
 SCALE: 3/8" = 1' 0"

Classic Bath Designs, Inc.
 11544 Sheldon St., Sun Valley, CA 91352
 818.767.1144 fax: 818.767.1278



Cust: Blackwell for Corbina

PO# KITCHEN

Scale: As Noted

KITCHEN

Approved _____

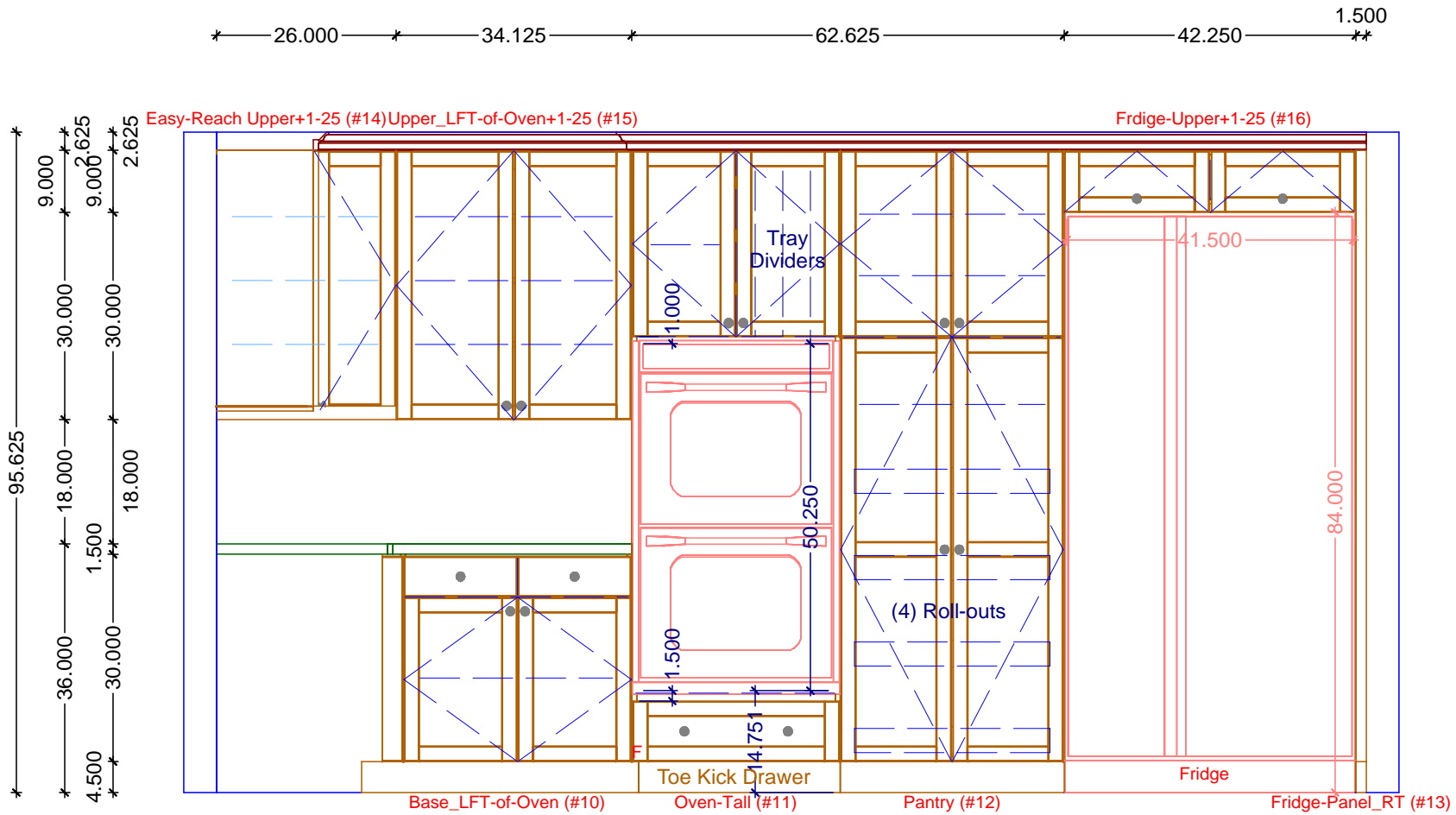
Job: FL-S_PreFIN/PG_IntEB:PreFIN

Size: A

Dr By: Brian

01/19/2018

K.1



1 KITCHEN ELEVATION - FRIDGE/OVEN WALL
 SCALE: 1/2" = 1' 0"

Classic Bath Designs, Inc.
 11544 Sheldon St., Sun Valley, CA 91352
 818.767.1144 fax: 818.767.1278



Cust: Blackwell for Corbina

PO# KITCHEN

Scale: As Noted

KITCHEN

Approved _____

Job: FL-S_PreFIN/PG_IntEB:PreFIN

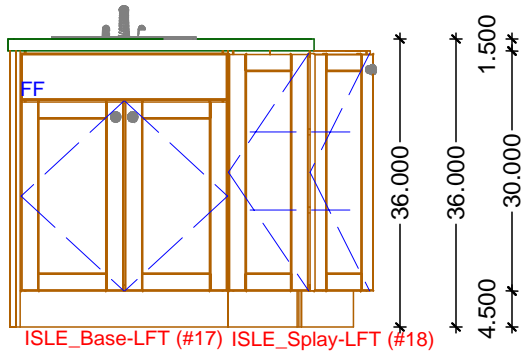
Size: A

Dr By: Brian

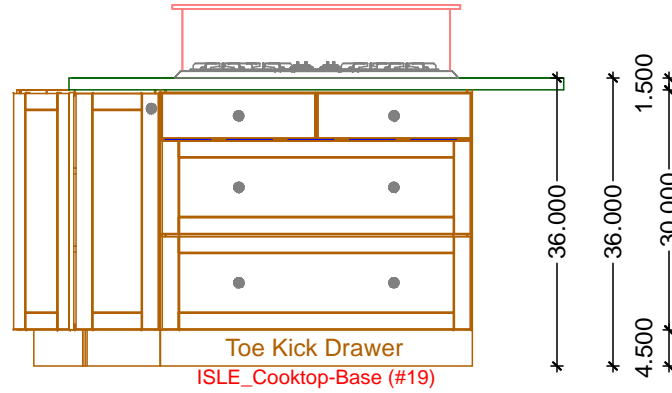
01/19/2018

K.2

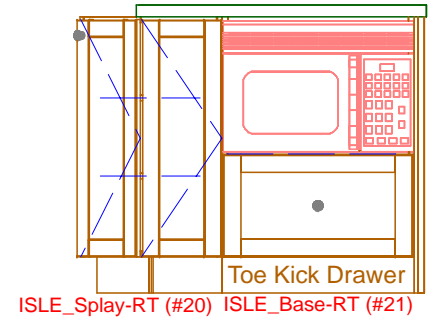
36.000
36.000
4.500
1.500
30.000



26.000 10.202
7.587
36.202



10.729 39.000 10.729
60.458

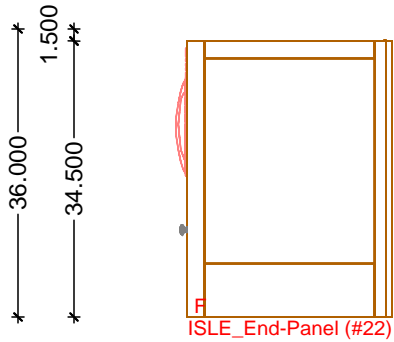


7.586 24.000
10.202 34.202

1 KITCHEN ELEVATION - ISLE-FRONT
SCALE: 1/2" = 1' 0"

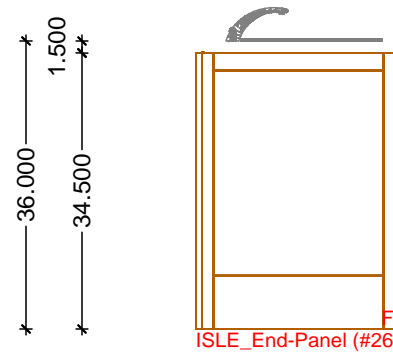
2 KITCHEN ELEVATION - ISLE-FRONT
SCALE: 1/2" = 1' 0"

3 KITCHEN ELEVATION - ISLE-FRONT
SCALE: 1/2" = 1' 0"



24.000
24.000

4 KITCHEN ELEVATION - ISLE-END
SCALE: 1/2" = 1' 0"



24.000
24.000

5 KITCHEN ELEVATION - ISLE-END
SCALE: 1/2" = 1' 0"

Island Cabinetry in PreFIN/Alder

Classic Bath Designs, Inc.
11544 Sheldon St., Sun Valley, CA 91352
818.767.1144 fax: 818.767.1278

Cust: Blackwell for Corbina

PO# KITCHEN

Scale: As Noted

KITCHEN

Approved _____

Job: FL-S_PreFIN/PG_IntEB:PreFIN

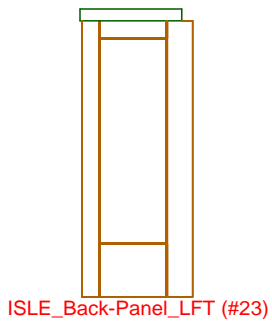
Size: A

Dr By: Brian

01/19/2018

K.3

* 36.000 *
 * 36.000 *
 * 34.500 *
 * 1.500 **

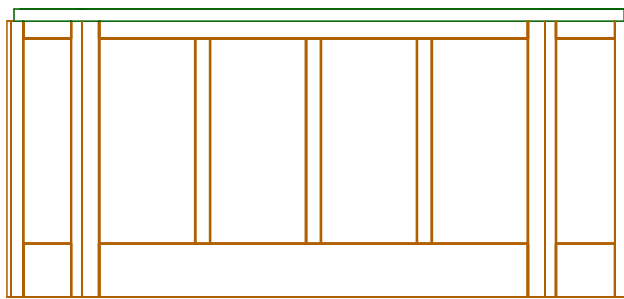


ISLE_Back-Panel_LFT (#23)

11.533
 11.533

1 KITCHEN ELEVATION - ISLE-BACK
 SCALE: 1/2" = 1' 0"

* 36.000 *
 * 36.000 *
 * 34.500 *
 * 1.500 **

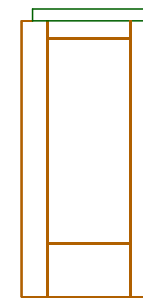


ISLE_Back-Panel_MID (#24)

0.311 * 57.954 * 0.311
 * 58.575 *

2 KITCHEN ELEVATION - ISLE-BACK
 SCALE: 1/2" = 1' 0"

* 36.000 *
 * 36.000 *
 * 34.500 *
 * 1.500 **



ISLE_Back-Panel_RT (#25)

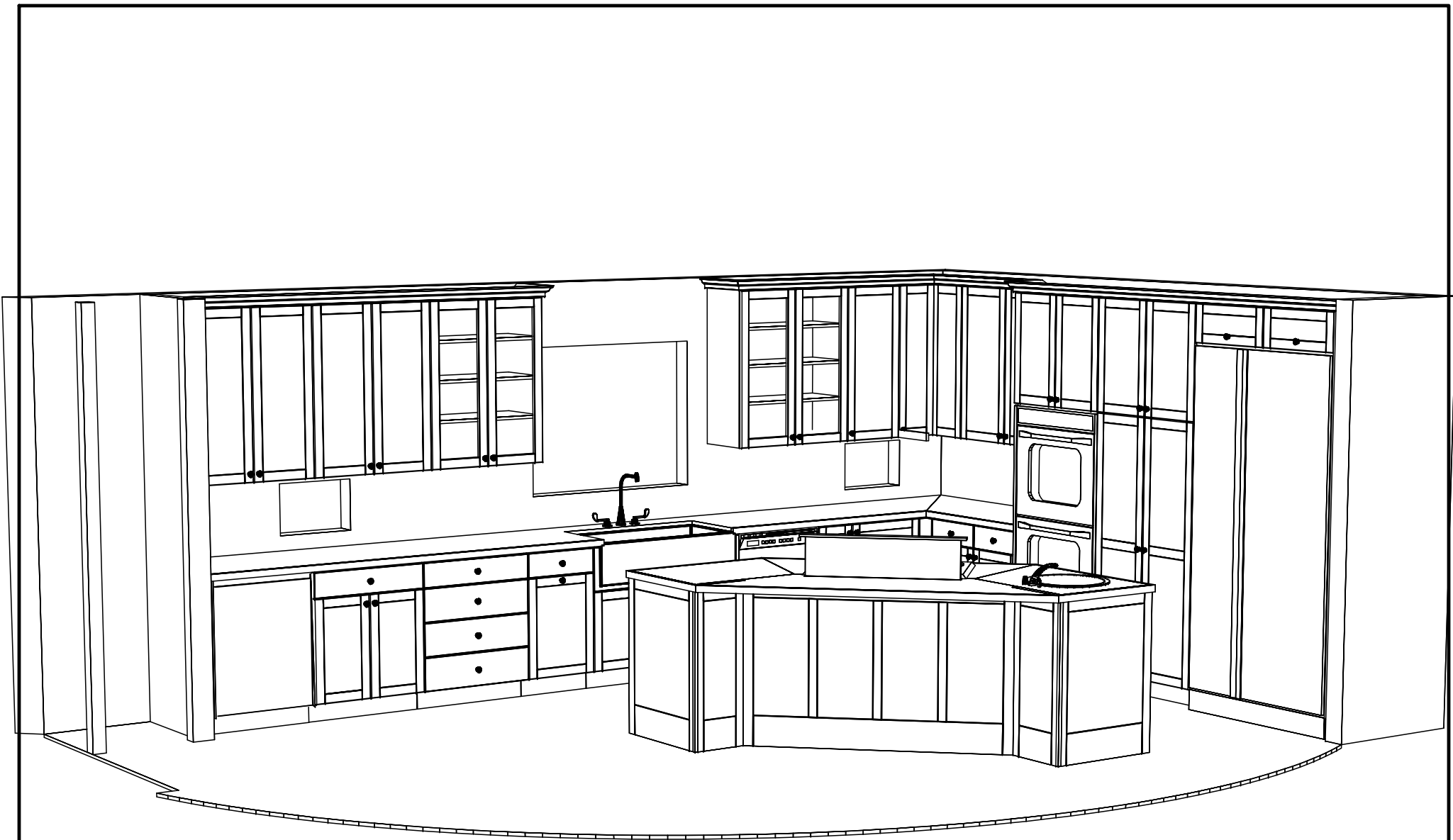
13.533
 13.533

3 KITCHEN ELEVATION - ISLE-BACK
 SCALE: 1/2" = 1' 0"

Classic Bath Designs, Inc.
 11544 Sheldon St., Sun Valley, CA 91352
 818.767.1144 fax: 818.767.1278



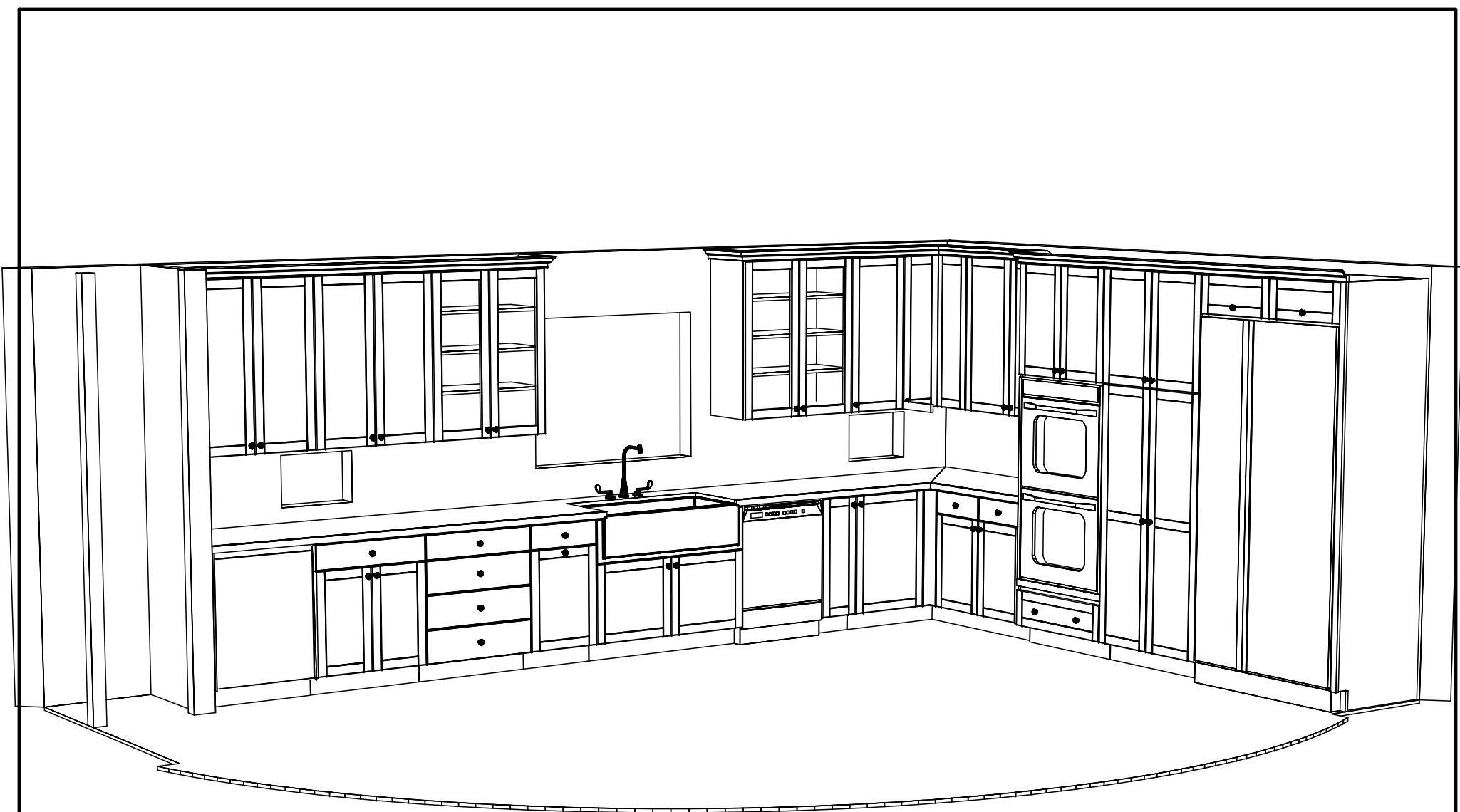
Cust: Blackwell for Corbina	PO# KITCHEN	Scale: As Noted	KITCHEN	K.4
Approved _____	Job: FL-S_PreFIN/PG_IntEB:PreFIN	Size: A	Dr By: Brian 01/19/2018	



Classic Bath Designs, Inc.
 11544 Sheldon St., Sun Valley, CA 91352
 818.767.1144 fax: 818.767.1278



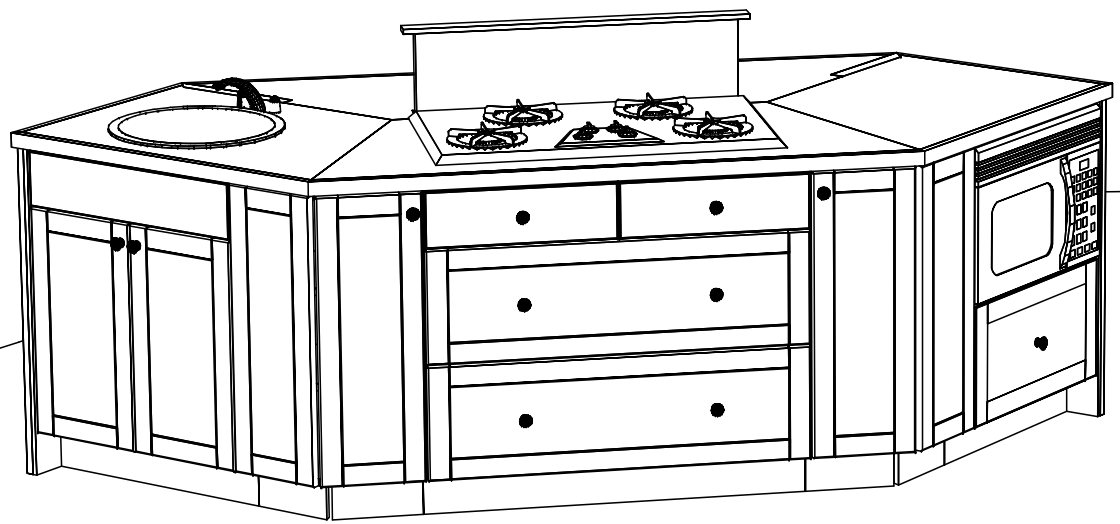
Cust: Blackwell for Corbina	PO# KITCHEN	Scale: As Noted	KITCHEN	Persp
Approved _____	Job: FL-S_PreFIN/PG_IntEB:PreFIN	Size: A	Dr By: Brian	



Classic Bath Designs, Inc.
 11544 Sheldon St., Sun Valley, CA 91352
 818.767.1144 fax: 818.767.1278



Cust: Blackwell for Corbina	PO# KITCHEN	Scale: As Noted	KITCHEN	Persp
Approved _____	Job: FL-S_PreFIN/PG_IntEB:PreFIN	Size: A	Dr By: Brian	



Classic Bath Designs, Inc.
 11544 Sheldon St., Sun Valley, CA 91352
 818.767.1144 fax: 818.767.1278



Cust: Blackwell for Corbina	PO# KITCHEN	Scale: As Noted	KITCHEN	Persp
Approved _____	Job: FL-S_PreFIN/PG_IntEB:PreFIN	Size: A	Dr By: Brian	