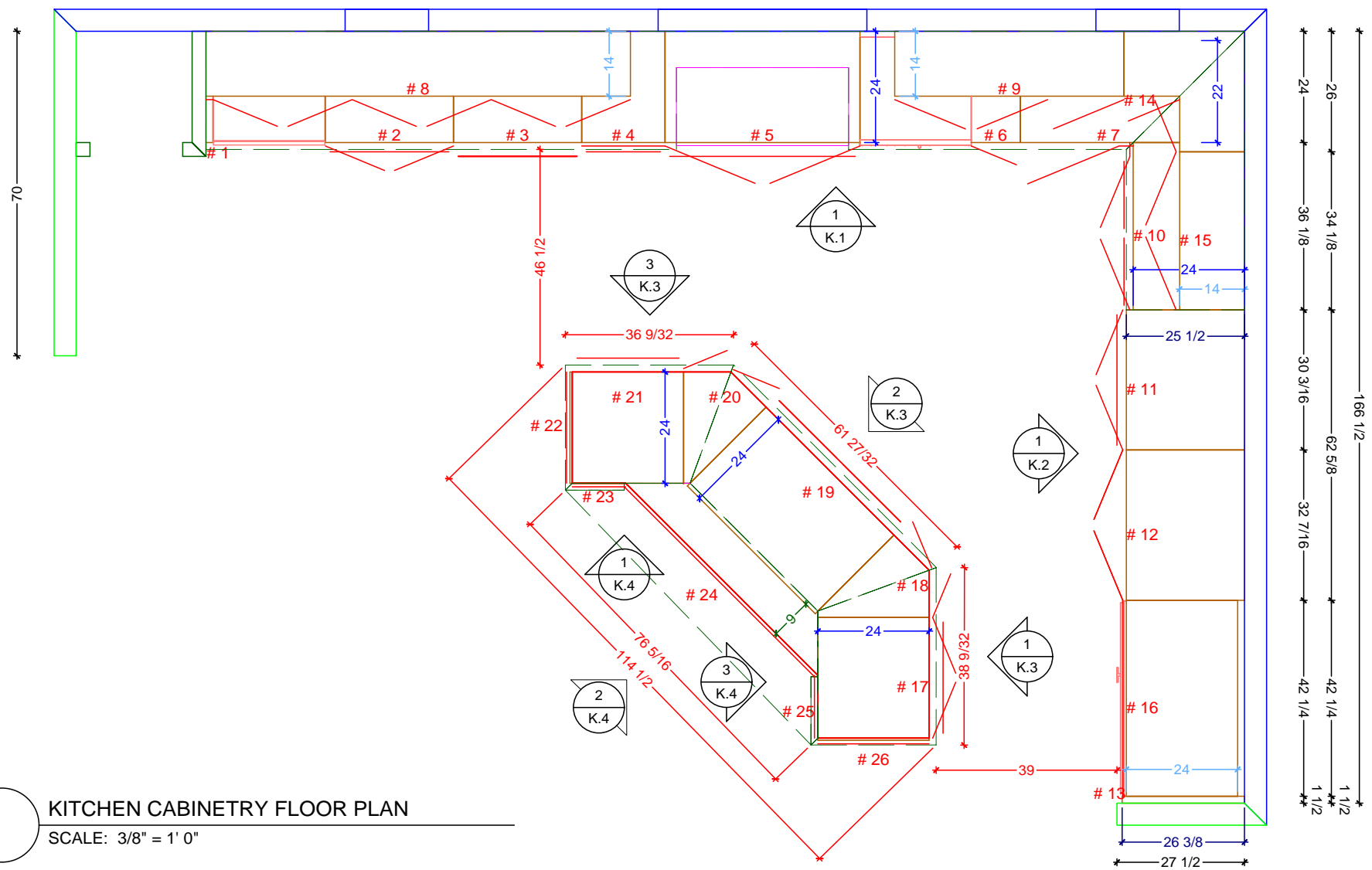


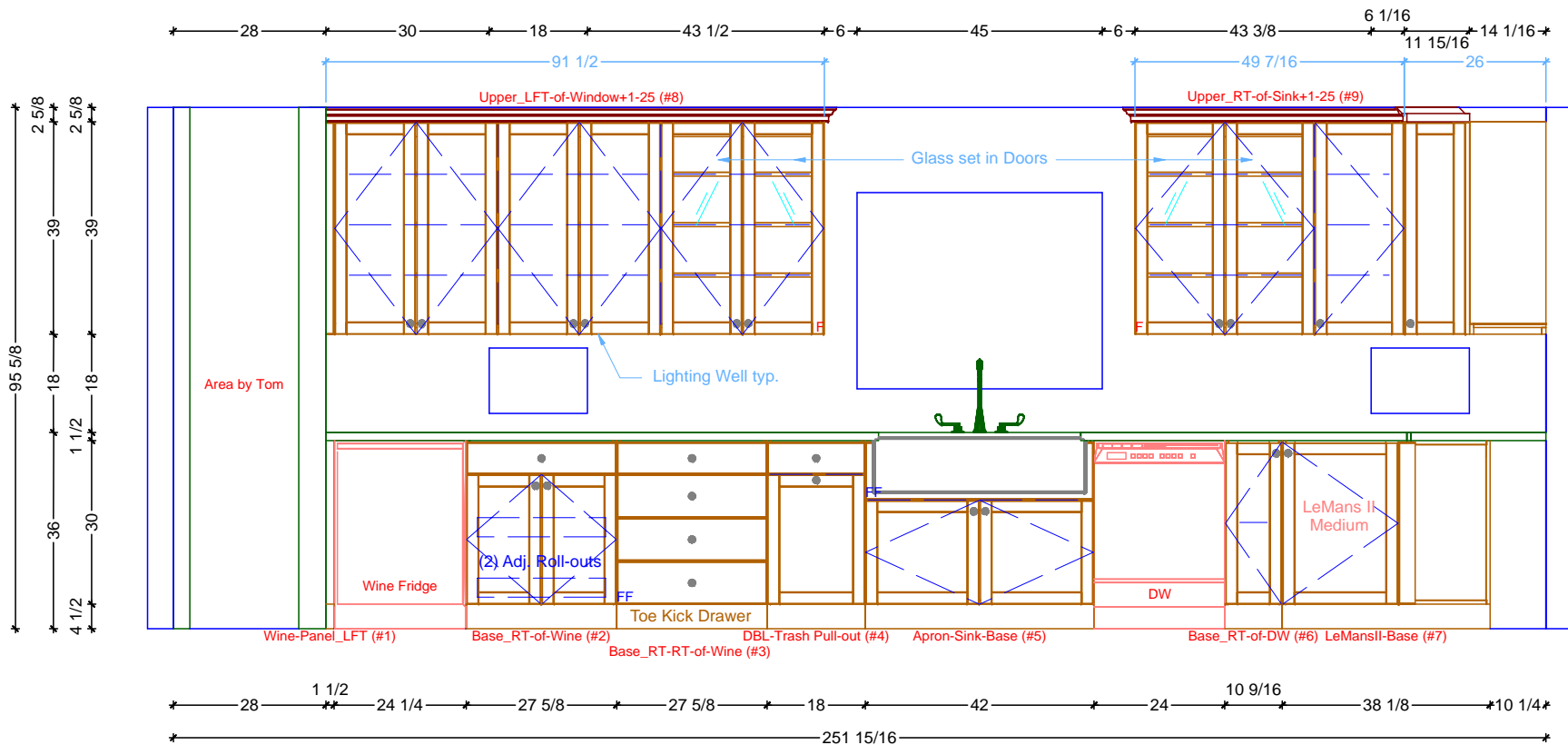
251 15/16
 28 30 18 43 1/2 6 45 6 43 3/8 6 1/16
 1 1/2
 28 24 1/4 27 5/8 27 5/8 18 42 24 10 9/16 38 1/8 10 1/4



 KITCHEN CABINERY FLOOR PLAN
 SCALE: 3/8" = 1' 0"

Classic Bath Designs, Inc.
 11544 Sheldon St., Sun Valley, CA 91352
 818.767.1144 fax: 818.767.1278

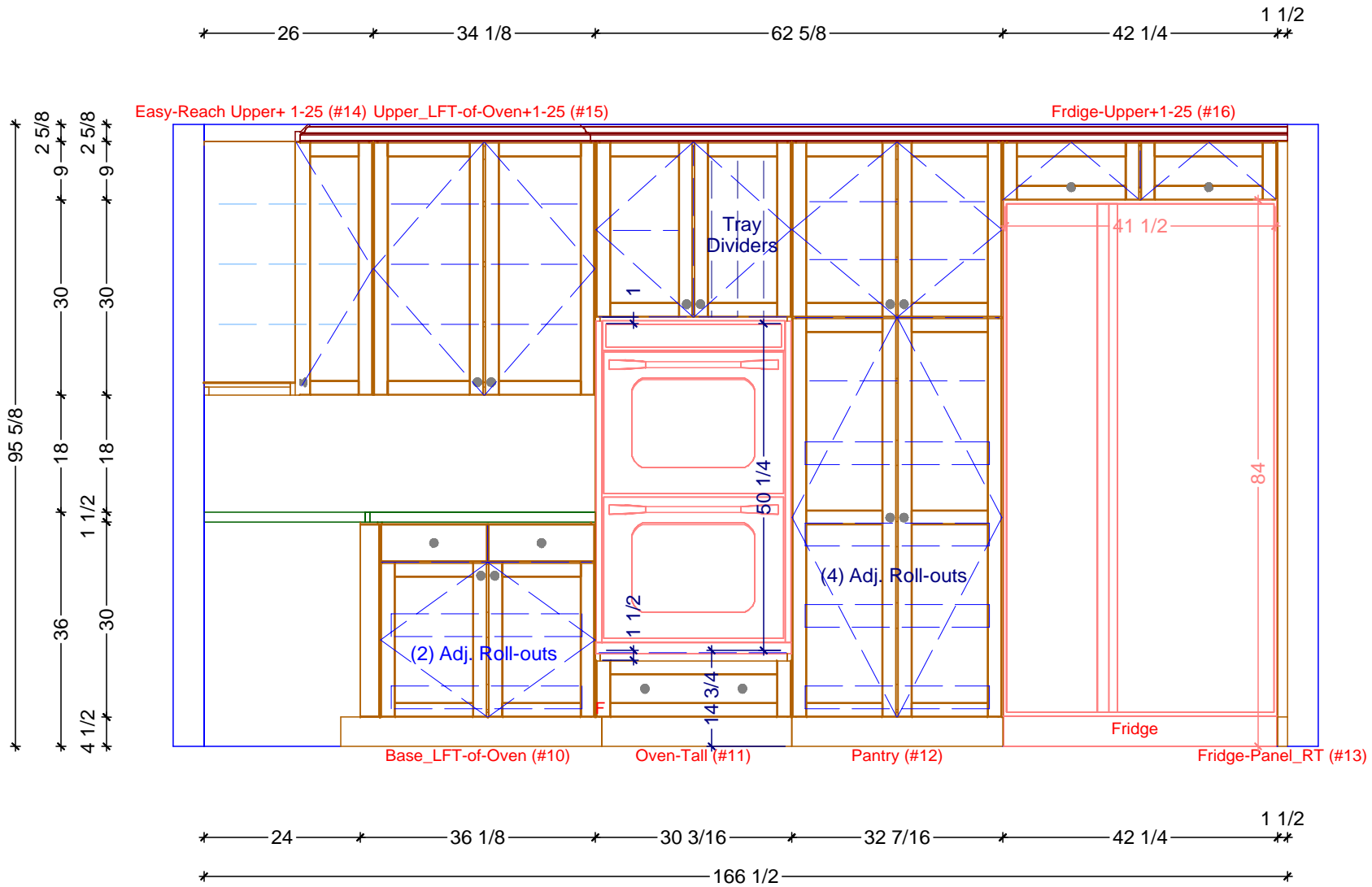
Cust: Blackwell for Corbina	PO# KITCHEN	Scale: As Noted	KITCHEN	K.0
Approved _____	Job: FL-S_PreFIN/PG_IntEB:PreFIN	Size: A	Dr By: Brian 01/20/2018	



1 KITCHEN ELEVATION - SINK WALL
 SCALE: 3/8" = 1' 0"

Classic Bath Designs, Inc.
 11544 Sheldon St., Sun Valley, CA 91352
 818.767.1144 fax: 818.767.1278

Cust: Blackwell for Corbina	PO# KITCHEN	Scale: As Noted	KITCHEN	K.1
Approved _____	Job: FL-S_PreFIN/PG_IntEB:PreFIN	Size: A	Dr By: Brian 01/20/2018	



1

KITCHEN ELEVATION - FRIDGE/OVEN WALL

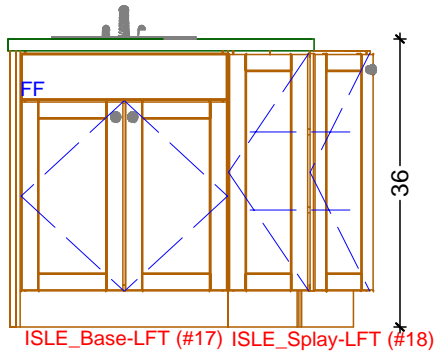
SCALE: 1/2" = 1' 0"

Classic Bath Designs, Inc.
 11544 Sheldon St., Sun Valley, CA 91352
 818.767.1144 fax: 818.767.1278

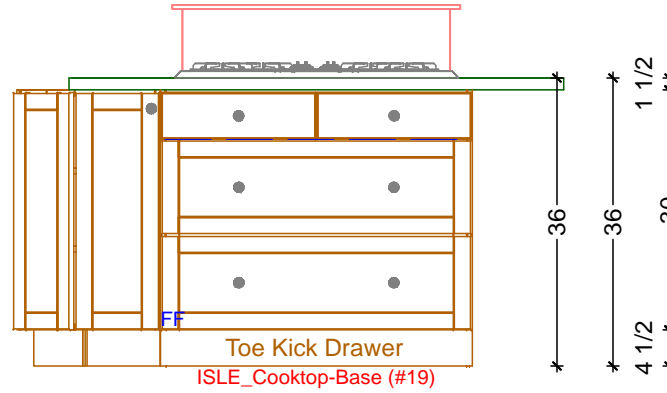


Cust: Blackwell for Corbina	PO# KITCHEN	Scale: As Noted	KITCHEN	K.2
Approved _____	Job: FL-S_PreFIN/PG_IntEB:PreFIN	Size: A	Dr By: Brian 01/20/2018	

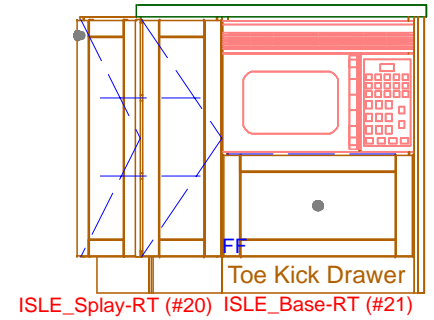
36
36
4 1/2
1 1/2
30



26
10 3/16
7 19/32
36 3/16



10 23/32
39
10 23/32
60 15/32

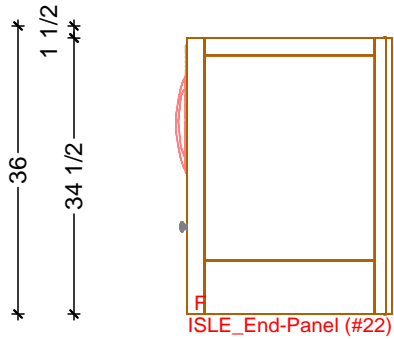


7 19/32
10 3/16
24
34 3/16

1 KITCHEN ELEVATION - ISLE-FRONT
SCALE: 1/2" = 1' 0"

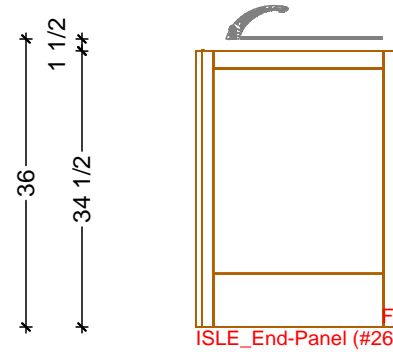
2 KITCHEN ELEVATION - ISLE-FRONT
SCALE: 1/2" = 1' 0"

3 KITCHEN ELEVATION - ISLE-FRONT
SCALE: 1/2" = 1' 0"



24
24

4 KITCHEN ELEVATION - ISLE-END
SCALE: 1/2" = 1' 0"



24
24

5 KITCHEN ELEVATION - ISLE-END
SCALE: 1/2" = 1' 0"

Island Cabinetry in PreFIN/Alder

Classic Bath Designs, Inc.
11544 Sheldon St., Sun Valley, CA 91352
818.767.1144 fax: 818.767.1278

Cust: Blackwell for Corbina

PO# KITCHEN

Scale: As Noted

KITCHEN

Approved _____

Job: FL-S_PreFIN/PG_IntEB:PreFIN

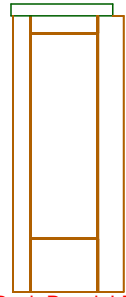
Size: A

Dr By: Brian

01/20/2018

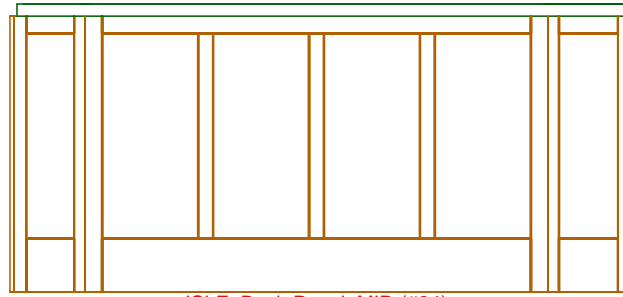
K.3

36
36
34 1/2



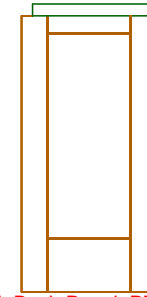
ISLE_Back-Panel_LFT (#23)

36
36
34 1/2



ISLE_Back-Panel_MID (#24)

36
36
34 1/2



ISLE_Back-Panel_RT (#25)

11 17/32
11 17/32

1 KITCHEN ELEVATION - ISLE-BACK
SCALE: 1/2" = 1' 0"

5/16 57 31/32 5/16
58 9/16

2 KITCHEN ELEVATION - ISLE-BACK
SCALE: 1/2" = 1' 0"

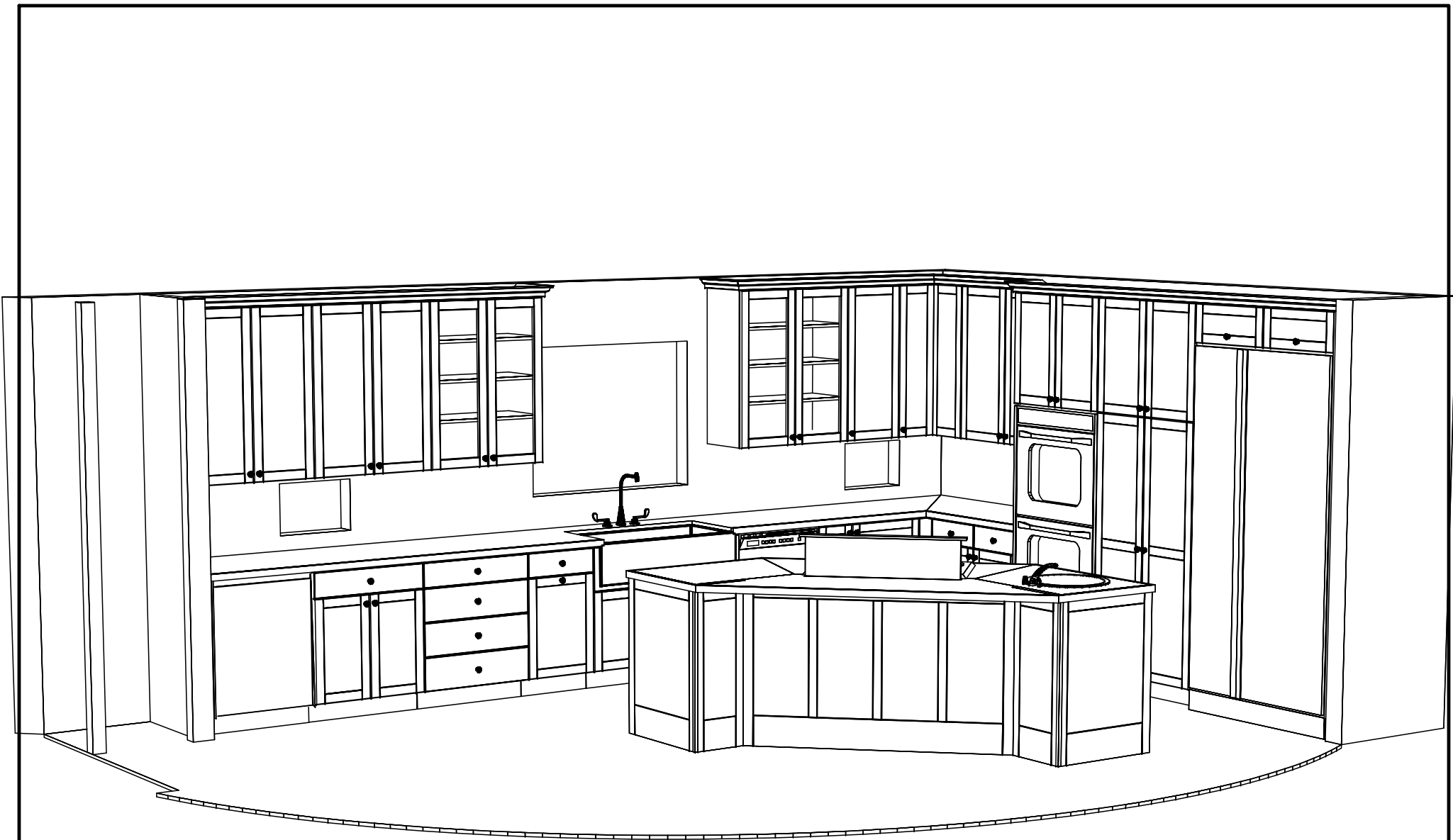
13 17/32
13 17/32

3 KITCHEN ELEVATION - ISLE-BACK
SCALE: 1/2" = 1' 0"

Classic Bath Designs, Inc.
11544 Sheldon St., Sun Valley, CA 91352
818.767.1144 fax: 818.767.1278



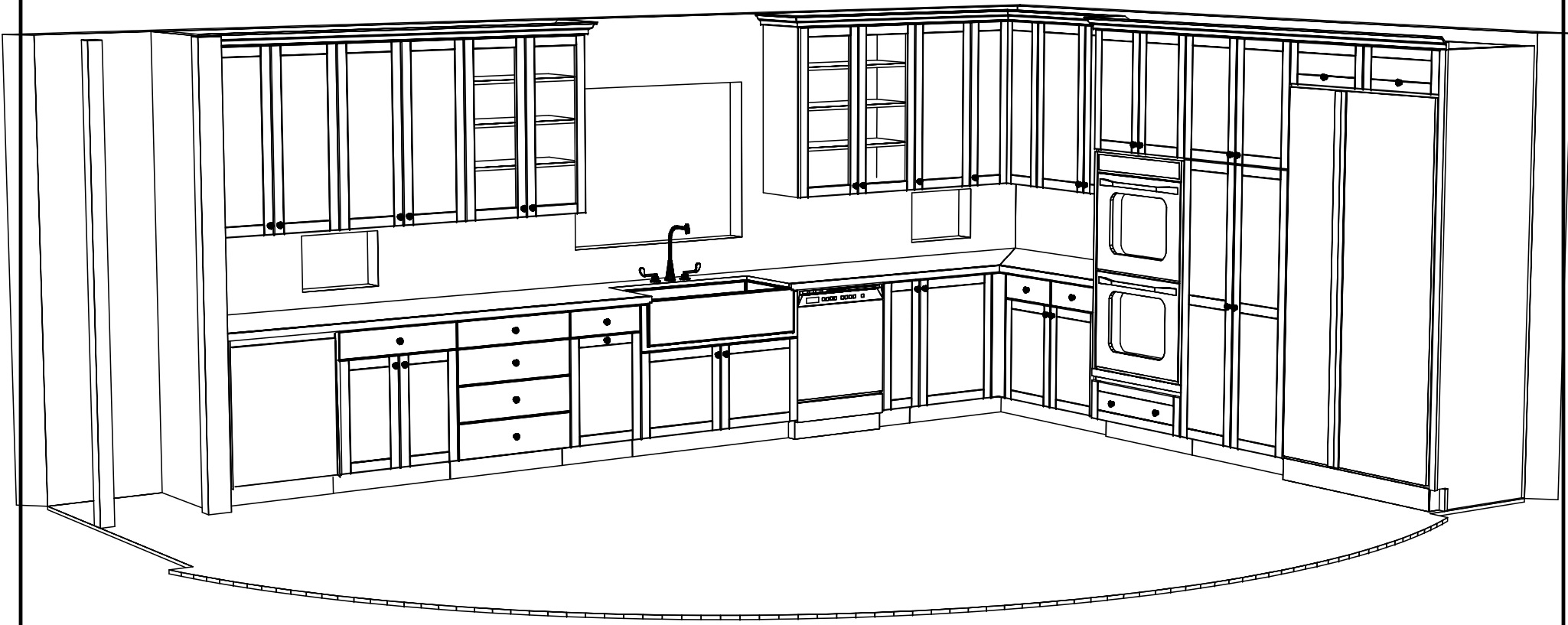
Cust: Blackwell for Corbina	PO# KITCHEN	Scale: As Noted	KITCHEN	K.4
Approved _____	Job: FL-S_PreFIN/PG_IntEB:PreFIN	Size: A	Dr By: Brian 01/20/2018	



Classic Bath Designs, Inc.
 11544 Sheldon St., Sun Valley, CA 91352
 818.767.1144 fax: 818.767.1278



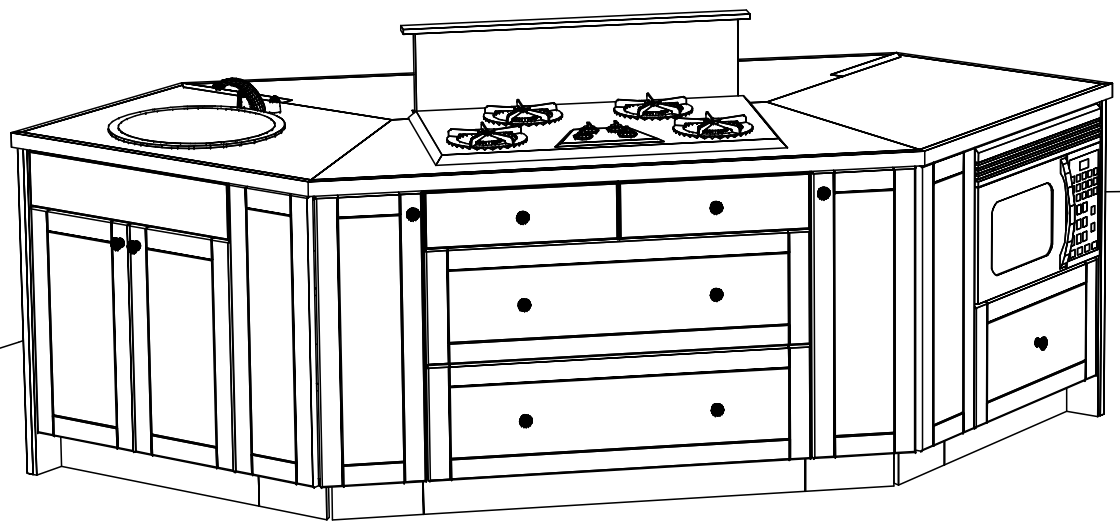
Cust: Blackwell for Corbina	PO# KITCHEN	Scale: As Noted	KITCHEN	Persp
Approved _____	Job: FL-S_PreFIN/PG_IntEB:PreFIN	Size: A	Dr By: Brian	



Classic Bath Designs, Inc.
 11544 Sheldon St., Sun Valley, CA 91352
 818.767.1144 fax: 818.767.1278



Cust: Blackwell for Corbina	PO# KITCHEN	Scale: As Noted	KITCHEN	Persp
Approved _____	Job: FL-S_PreFIN/PG_IntEB:PreFIN	Size: A	Dr By: Brian	



Classic Bath Designs, Inc.
 11544 Sheldon St., Sun Valley, CA 91352
 818.767.1144 fax: 818.767.1278



Cust: Blackwell for Corbina	PO# KITCHEN	Scale: As Noted	KITCHEN	Persp
Approved _____	Job: FL-S_PreFIN/PG_IntEB:PreFIN	Size: A	Dr By: Brian	