

# FREEDOM® COLLECTION

## 36-INCH PRE-ASSEMBLED FRENCH DOOR BOTTOM FREEZER

T36BT810NS / T36BT820NS



### T36BT810NS

36-Inch,  
French Door

Pre-Assembled  
with Flat  
Stainless Steel  
Panels and  
Masterpiece  
Handles

See pages 226-  
227 for details.

### T36BT820NS

36-Inch,  
French Door

Pre-Assembled  
with Flat  
Stainless Steel  
Panels and  
Professional  
Handles

See pages 226-  
227 for details.

### T36BT810NS / T36BT820NS

#### PERFORMANCE

- Dual compressor and dual evaporator
- Electronic controls for precise temperature management
- Full-width deli drawer
- Carbon air filter reduces odors and keeps air clean and fresh
- Full-length cantilever racks for ultimate adjustability
- Full-width glass shelves with metal trim
- Full-extension drawers at 90° door opening angle
- Gallon door bins
- Large capacity freezer drawer
- Filtered ice maker
- SuperCool™ – chills food quickly
- SuperFreeze™ – freezes food quickly
- Sabbath mode
- Economy mode
- Vacation mode
- Door open alarm
- ENERGY STAR® qualified

#### DESIGN

- FREEDOM® Hinge enables true flush design
- Full-height door – true cabinet integration without exposed venting grille
- All-LED sidewall and theater lighting
- Brightspace interior design
- Flat stainless steel door panel kit, pre-assembled
- Handle kit, pre-assembled
- Frame included for 24" deep cutouts, pre-assembled

### SPECIFICATIONS

Total Capacity (cu. ft.)	19.5
Refrigerator Capacity (cu. ft.)	14
Freezer Capacity (cu. ft.)	6
Product Width	35 3/4"
Product Height	84"
Product Depth	24 3/4"
Cutout Width	36"
Cutout Height	84"
Cutout Depth*	24" or 25"
Door Swing Clearance	20 15/16"
Annual Energy Consumption	447.86 kWh
Electrical Supply	120V/15 Amp Circuit
Power Cord Included	120V 3-Wire
Shipping Weight (lbs.)	666

\*Cutout depth for installation with frame is 24". Remove frame for flush installation at 25" depth.

### TEMPERATURE RANGES

Refrigerator	35°F (2°C) to 46°F (8°C)
Freezer	-9°F (-23°C) to 7°F (-14°C)
Temperature Controlled Drawer	Fish 32°F (0°C) Meat 35°F (1.5°C) Produce 37°F (3°C)
Deli Drawer	Just above 32°F (0°C)
SuperCool™	35.5°F (2°C) for approximately 9 hours
SuperFreeze™	-9°F (-23°C) for approximately 52 hours
Energy Saving (Economy) Mode	Refrigerator: 45°F (7°C) Freezer: 3°F (-16°C)



Contributes 1 point toward satisfying the high-efficiency appliances credit under LEED®

### ACCESSORIES

See page 241 for Freedom Collection accessories.

HEATRKIT10  
Freedom Heater Kit

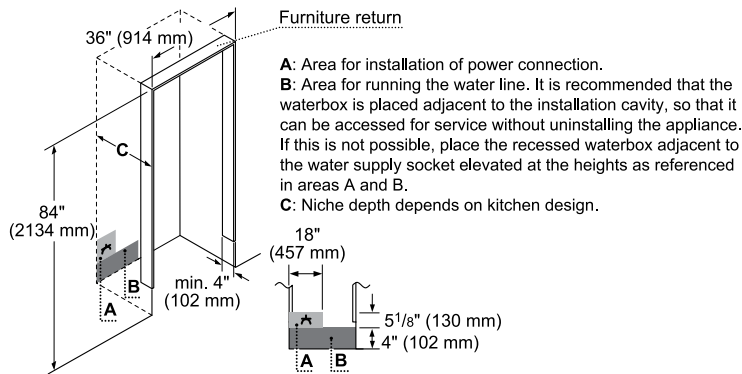
REPLFLTR10  
Freedom Water Filter

SCRNFLTR10  
Filter By-Pass

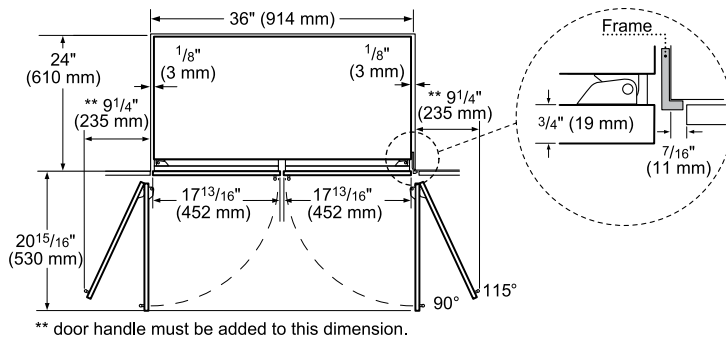
# FREEDOM® COLLECTION 36-INCH PRE-ASSEMBLED FRENCH DOOR BOTTOM FREEZER

T36BT810NS / T36BT820NS

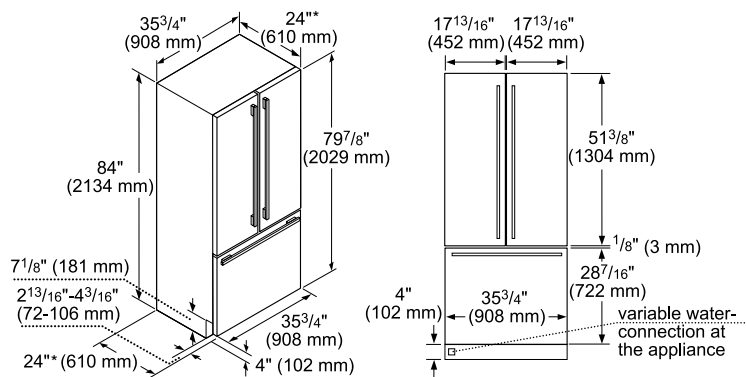
## CUTOUT DIMENSIONS



## TOP VIEW CLEARANCE



## PANEL DIMENSIONS



\*Excludes thickness of door panel. If standard panel with 3/4" thickness is mounted, total depth is 24 3/4".



All refrigerators are UL and CUL approved.