



**Features**

- ◆ **Lighting:** 9.5 Watt Flood LED (50 Watt Halogen/PAR20 Equivalent/Dimmable) or 50 Watt Halogen Flood (PAR20)
- ◆ SD4-12—Two 75 Watt Incandescent (Bulbs NOT Included)
- ◆ **Heat Sensor:** Fire Safety Thermostat with Automatic turn ON when temp. reaches 130 degrees. N/A on SD2 or SD4 models.
- ◆ **Filters:** Aluminum Mesh filters.
- ◆ **\*Flange:** Trim pieces available for an additional charge.
- ◆ **Custom:** Custom sizes available. Call with exact dimensions for pricing and delivery time.
- ◆ **Optional Modified Wiring:** Wiring for “remote” switch placement. Includes switches & knobs.
- ◆ **.Re-Circulating:** SD2-NV Model includes charcoal type filter and elbow pipe transition to 3 1/4” x 10”.

**Specifications**

- ◆ **Power:** “Air-Ring” Fan and Flame Retardant Centrifugal Blowers. 360 to 1425 CFM.
- ◆ **Electrical:** 115 AC, 60 Hz, 9 Amps. Suggested use with 15 Amp circuit.
- ◆ **Stainless:** Complete **Stainless Steel** Construction for Durability and Fire Safety.
- ◆ **Distance Codes:** Check local city, county and cooking appliance specifications. UL tested at 36” above cooking surface. Optional 30” for SD4 & SD2 models.
- ◆ **Installation:** Simple, Stress Free, One Piece Installation with “Automatic Seal Vent Collar”.

**Warranty**

- ◆ **Warranty: 7 Year, In-Home—Parts & Labor. (Best in the Industry!)** No “Performance” Warranty when used above BBQ Style Grills, may not be satisfactory in all situations. Call to discuss.

MODELS	POWER CFM	MOTOR TYPE	CONTROLS	SONES LOW - HI	DEPTH Front to Back	DUCT	LIGHTING	SIZES
C2000PS	750	Dual Blowers	Variable	1.5 - 4.6	22 1/8”	Single 7”	Front Panel	30”, 36”, 42”, 48”
C2000PS-8	900	Dual Blowers	Variable	1.5 - 4.6	22 1/8”	Single 8”	Front Panel	30”, 36”, 42”, 48”
C2000PS-K	1000	Dual Blowers	Variable	1.5 - 4.6	22 1/8”	Single 10”	Front Panel	30”, 36”, 42”, 48”
C2000PS1-TW	1270	Twin Blowers	Variable	1.5 - 4.6	22 1/8”	Two 7”	Front Panel	36” to 60”
C2000PS1-TW-8	1425	Twin Blowers	Variable	1.5 - 4.6	22 1/8”	Two 8”	Front Panel	36” to 60”
<b>C2000BP1</b>	625	Single Blower	Variable	1.5 - 4.6	18 1/8”	Single 7” <sup>Offset</sup>	Front Panel	30”, 36”, 42”
<b>C2000BP1-8</b>	750	Single Blower	Variable	1.5 - 4.6	18 1/8”	Single 8” <sup>Offset</sup>	Front Panel	30”, 36”, 42”
C2000BP	735	Dual Blowers	Variable	1.5 - 4.6	18 1/8”	Single 7”	Front Panel	30”, 36”, 42”, 48”
C2000BP-8	880	Dual Blowers	Variable	1.5 - 4.6	18 1/8”	Single 8”	Front Panel	30”, 36”, 42”, 48”
C2000BP-K	1000	Dual Blowers	Variable	1.5 - 4.6	18 1/8”	Single 10”	Front Panel	30”, 36”, 42”, 48”
C2000BP1-TW	1250	Twin Blowers	Variable	1.5 - 4.6	18 1/8”	Two 7”	Front Panel	36” to 60”
C2000BP1-TW-8	1425	Twin Blowers	Variable	1.5 - 4.6	18 1/8”	Two 8”	Front Panel	36” to 60”
C2000SD4	430	Air-Ring Fan	Variable	2.5 - 7.6	18 1/8”	Single 7”	Center Panel	30”, 36”, 42”, 48”
C2000SD2	360	Air-Ring Fan	Rocker	2.5 - 4.9	18 1/8”	Single 7”	Center Panel	30”, 36”, 42”
C2000SD2-NV	N/A	Air-Ring Fan	Rocker	2.5 - 4.9	18 1/8”	N/A	Center Panel	30”, 36”
C2000SD4-12	430	Air-Ring Fan	Variable	2.5 - 7.6	11 1/4”	Single 7”	Recessed	24”, 30” 36” & 42”

**\*Optional Flange—Custom fit your liner with standard 3/4” flanges. Other sizes available. Call for a quote.**

**Employee Owned**  
**American Made**  
**Since 1961**



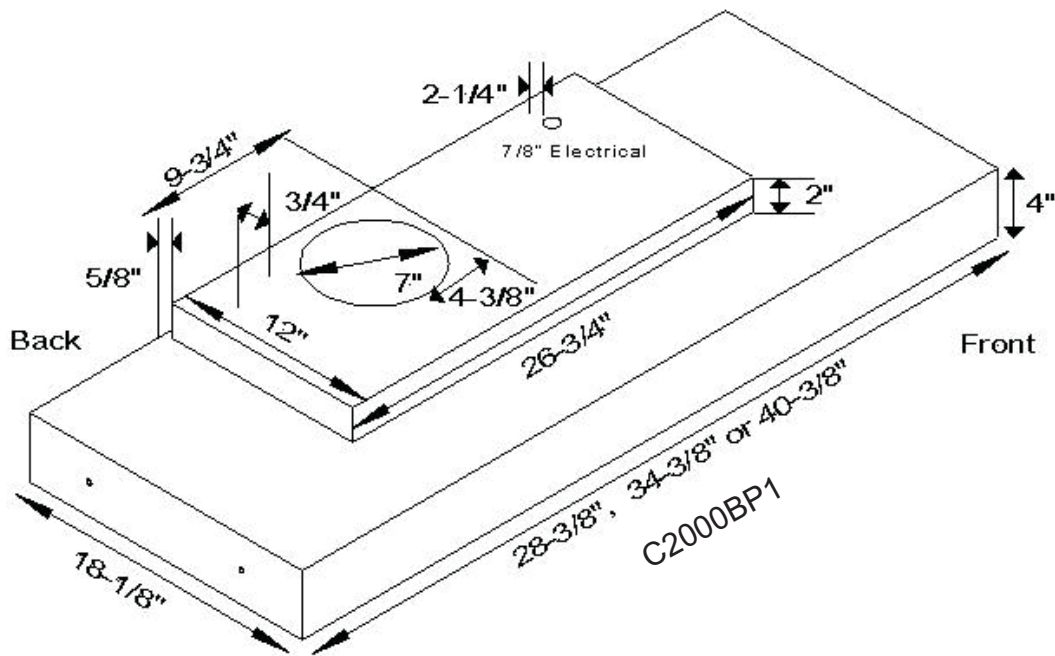
# Powered Liner Specifications

**NOTE**

**Example: C2000BP1-8**

Vent size 8" round by 3-1/2" high.  
Increase CFM by 20% with 8" vent transition.

All other dimensions remain the same.



8" Transition  
8" Round x 3-1/2" high



\*3/4" Flange for perfect fit.  
Flange NOT included. Must  
be ordered separately.



**SEVEN YEAR, IN HOME, LIMITED WARRANTY, THE BEST IN THE INDUSTRY!**

All dimensions are (+/-) 1/8" and are subject to change. Drawings are not to scale.