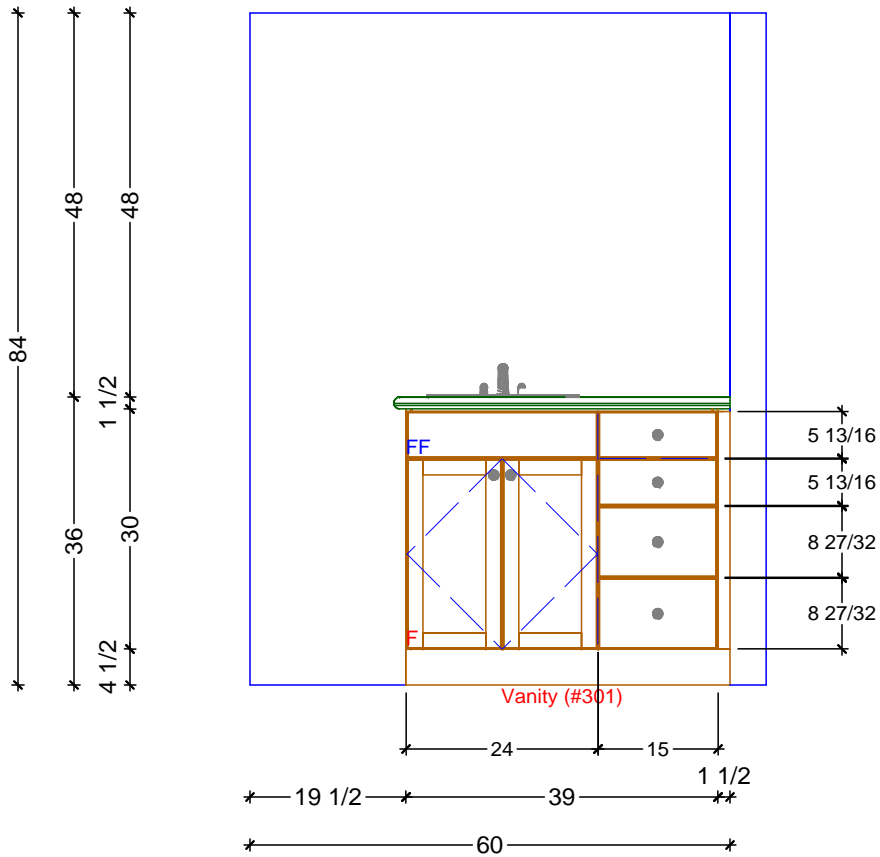



HALL BATH CABINERY FLOOR PLAN
 SCALE: 5/8" = 1' 0"

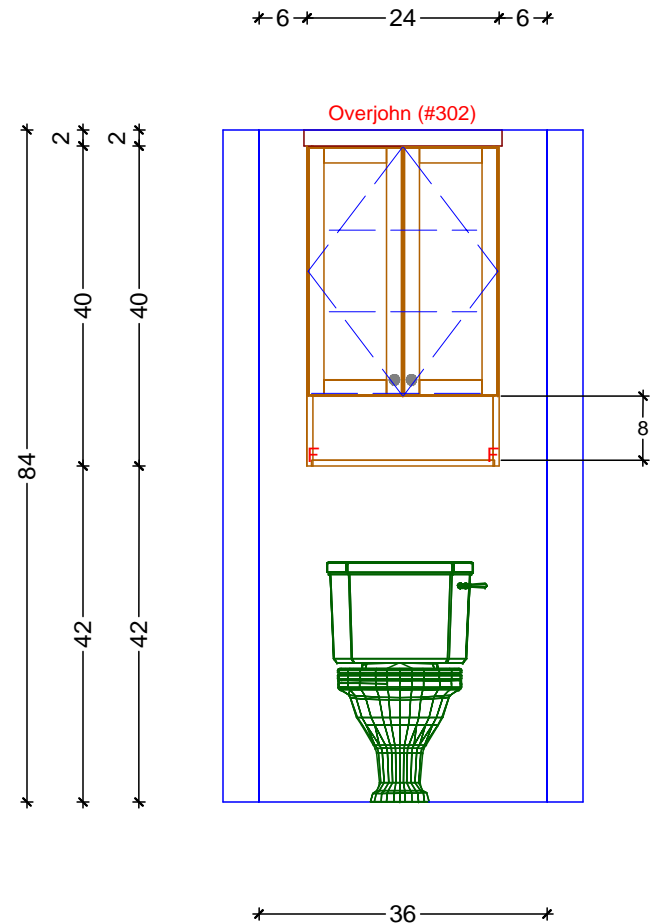
Classic Bath Designs, Inc.
 11544 Sheldon St., Sun Valley, CA 91352
 818.767.1144 fax: 818.767.1278



Cust: Blackwell for San Tropez		PO# DWELLING	Scale: As Noted	HALL BATH	
Approved _____	Job: FL-S_MIWWh/PG-HrdWd_IntEB:MIWh	Size: A	Dr By: Brian	03/04/15	Bh.0



1 HALL BATH ELEVATION - VANITY
SCALE: 1/2" = 1' 0"



2 HALL BATH ELEVATION - OVERJOHN
SCALE: 1/2" = 1' 0"

Classic Bath Designs, Inc.
11544 Sheldon St., Sun Valley, CA 91352
818.767.1144 fax: 818.767.1278



Cust: Blackwell for San Tropez

PO# DWELLING

Scale: As Noted

HALL BATH

Approved _____

Job: FL-S_MIWWh/Pg-HrdWd_IntEB:MIWWh

Size: A

Dr By: Brian

03/04/15

Bh.1



Classic Bath Designs, Inc.
 11544 Sheldon St., Sun Valley, CA 91352
 818.767.1144 fax: 818.767.1278



Cust: Blackwell for San Tropez

PO# DWELLING

Scale: As Noted

BATH HALL

Approved _____

Job: FL-S_MIWWh/PG-HrdWd_IntEB:MIWh

Size: A

Dr By: Brian

03/04/15

Rndr