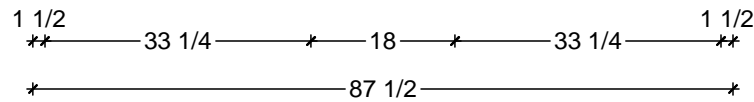
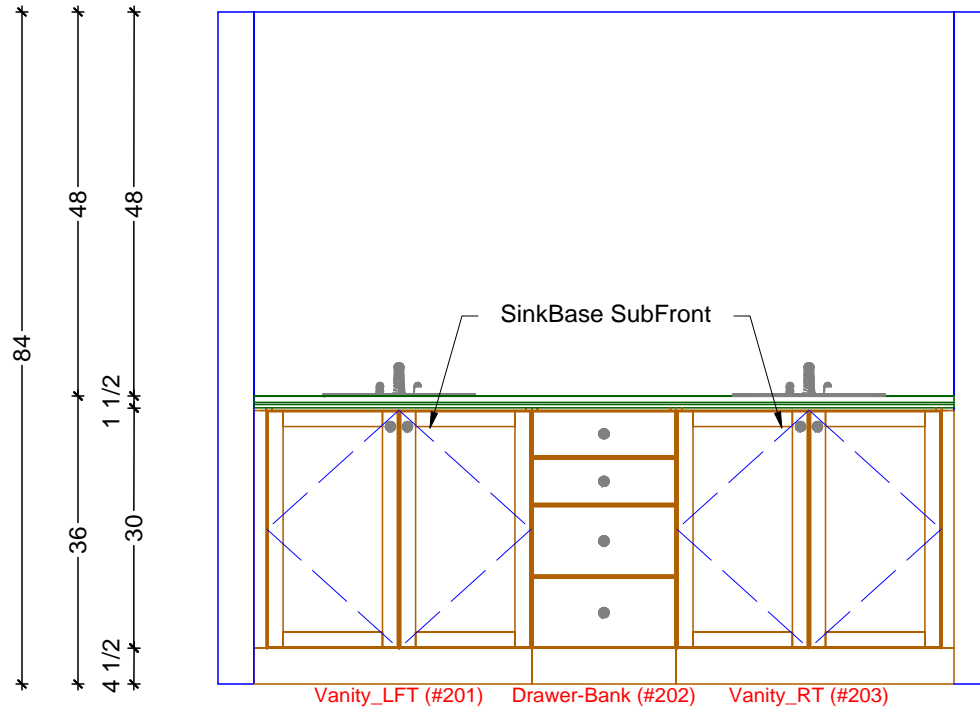



**MASTER BATH CABINETRY FLOOR PLAN**  
 SCALE: 1/2" = 1' 0"

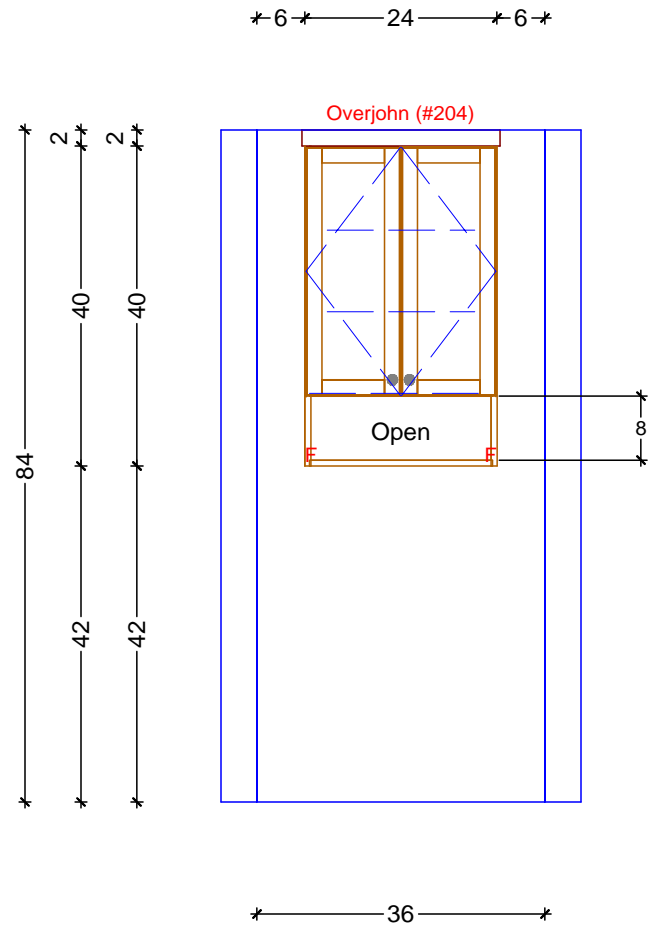
**Classic Bath Designs, Inc.**  
 11544 Sheldon St., Sun Valley, CA 91352  
 818.767.1144 fax: 818.767.1278



Cust: Blackwell for San Tropez		PO# DWELLING	Scale: As Noted	MASTER BATH	
Approved _____	Job: FL-S_MIWh/PG-HrdWd_IntEB:MIWh		Size: A	Dr By: Brian	03/15/15
					<b>Bm.0</b>



1 MASTER BATH ELEVATION - VANITY  
SCALE: 1/2" = 1' 0"



2 MASTER BATH ELEVATION - OVERJOHN  
SCALE: 1/2" = 1' 0"

**Classic Bath Designs, Inc.**  
11544 Sheldon St., Sun Valley, CA 91352  
818.767.1144 fax: 818.767.1278



Cust: Blackwell for San Tropez

PO# DWELLING

Scale: As Noted

MASTER BATH

Approved \_\_\_\_\_

Job: FL-S\_MIWWh/PG-HrdWd\_IntEB:MIWh

Size: A

Dr By: Brian

03/15/15

**Bm.1**



**Classic Bath Designs, Inc.**  
 11544 Sheldon St., Sun Valley, CA 91352  
 818.767.1144 fax: 818.767.1278



Cust: Blackwell for San Tropez		PO# DWELLING	Scale: As Noted	MASTER BATH	
Approved _____	Job: FL-S_MIWh/PG-HrdWd_IntEB:MIWh	Size: A	Dr By: Brian	03/15/15	Rndr