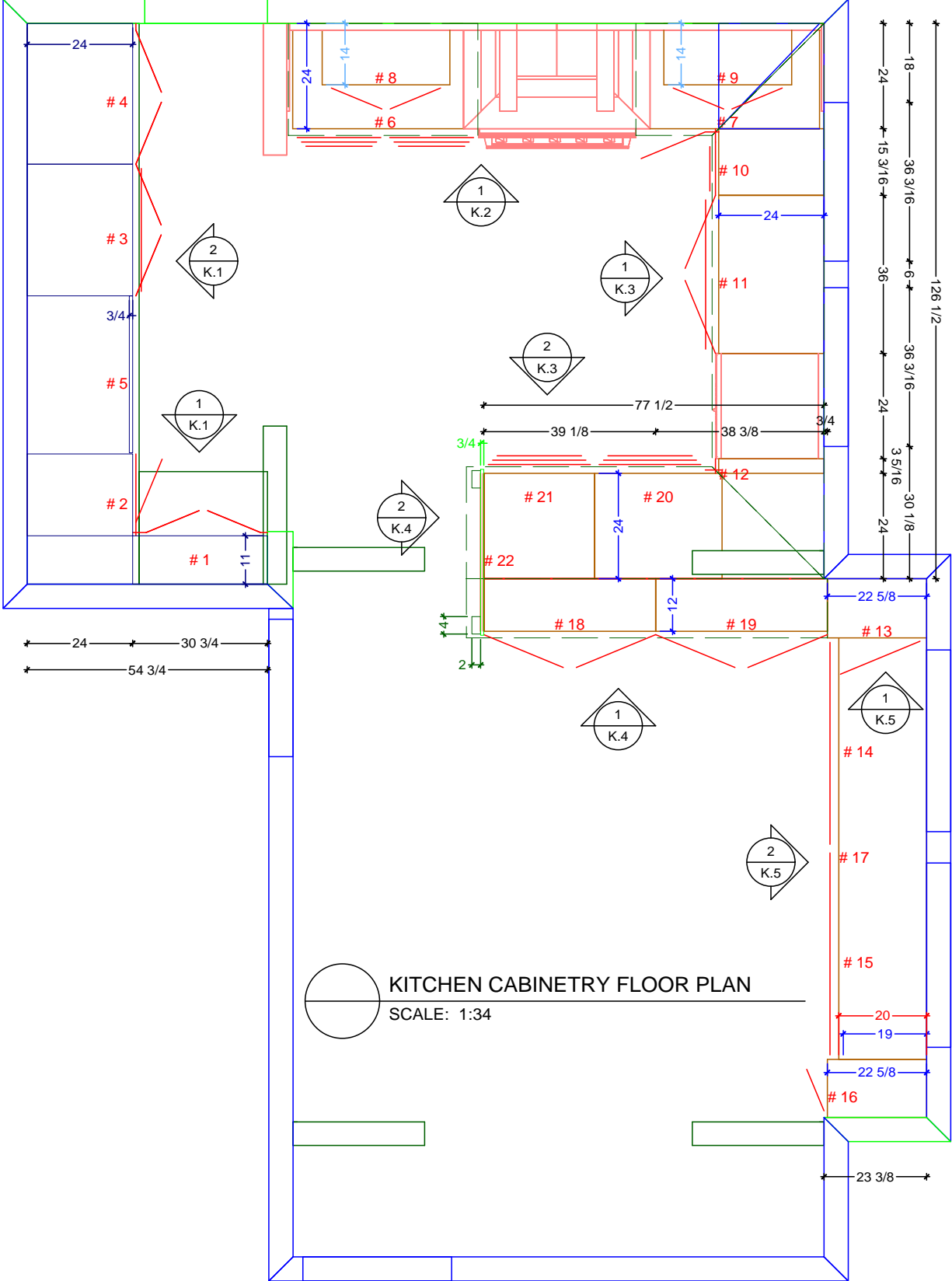


181 9/16
 26 3/4 28 12 7/16 29 1/8 48 3/4 29 1/8 7 3/8
 60 1/2 42 3/16 36 18 7/8 23 1

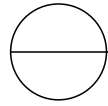


127 3/4
 62 1/16
 30
 36
 29 11/16
 18 11/16
 11



18
 24
 15 3/16
 36 3/16
 6
 36 3/16
 24
 3 5/16
 30 1/8
 24

122 3/4
 2 3/4
 13 1/2
 41 3/8
 7 1/8
 42
 48
 2 3/4
 13 1/4
 13 1/4



KITCHEN CABINETRY FLOOR PLAN
 SCALE: 1:34

Classic Bath Designs, Inc.
 11544 Sheldon St., Sun Valley, CA 91352
 818.767.1144 fax: 818.767.1278



Cust: Ed Dorini for Kaitz

PO# KITCHEN

Job: FL-S_PrefIN/PG:perSample_IntEB:PreFIN

Scale: As Noted

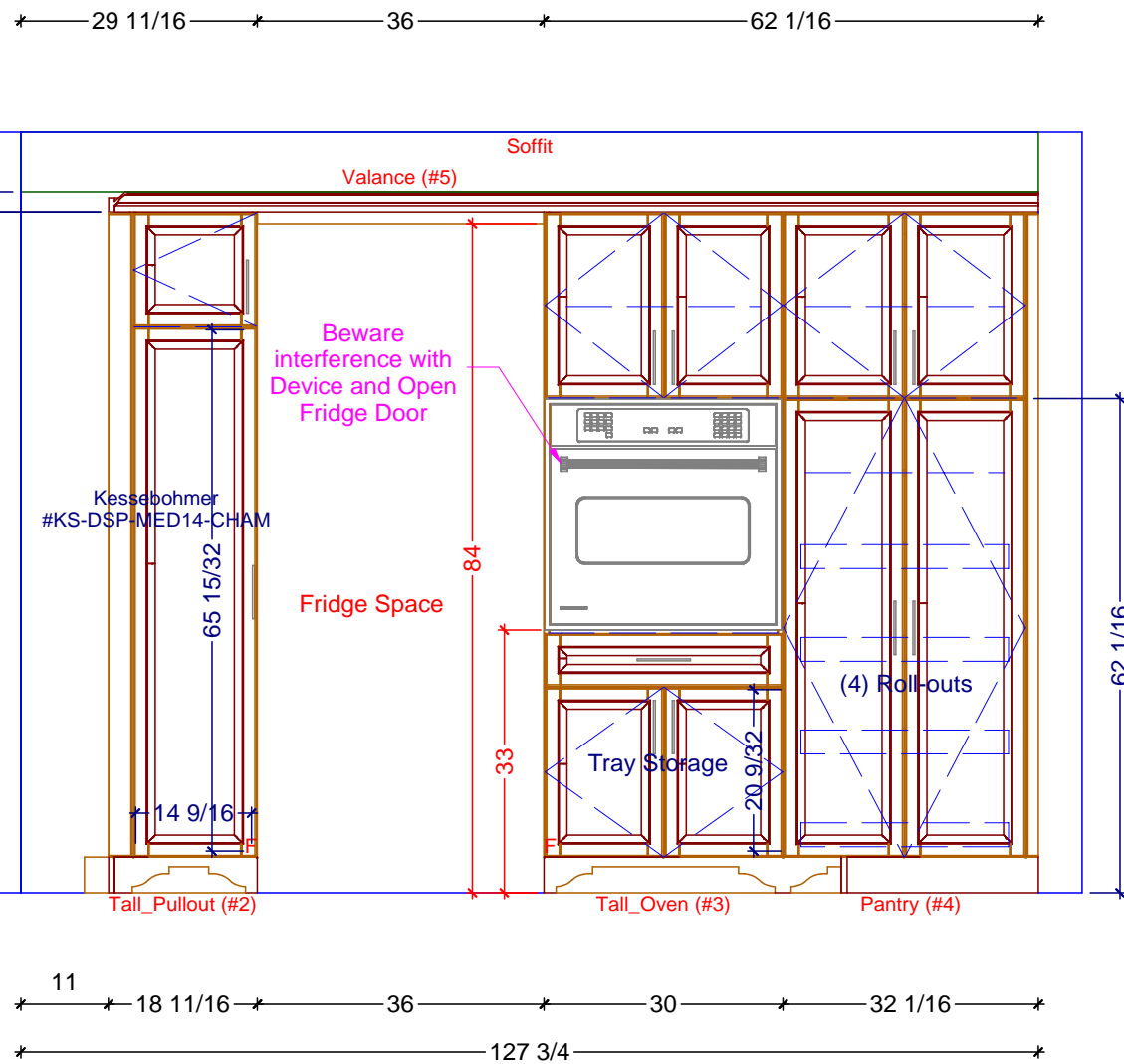
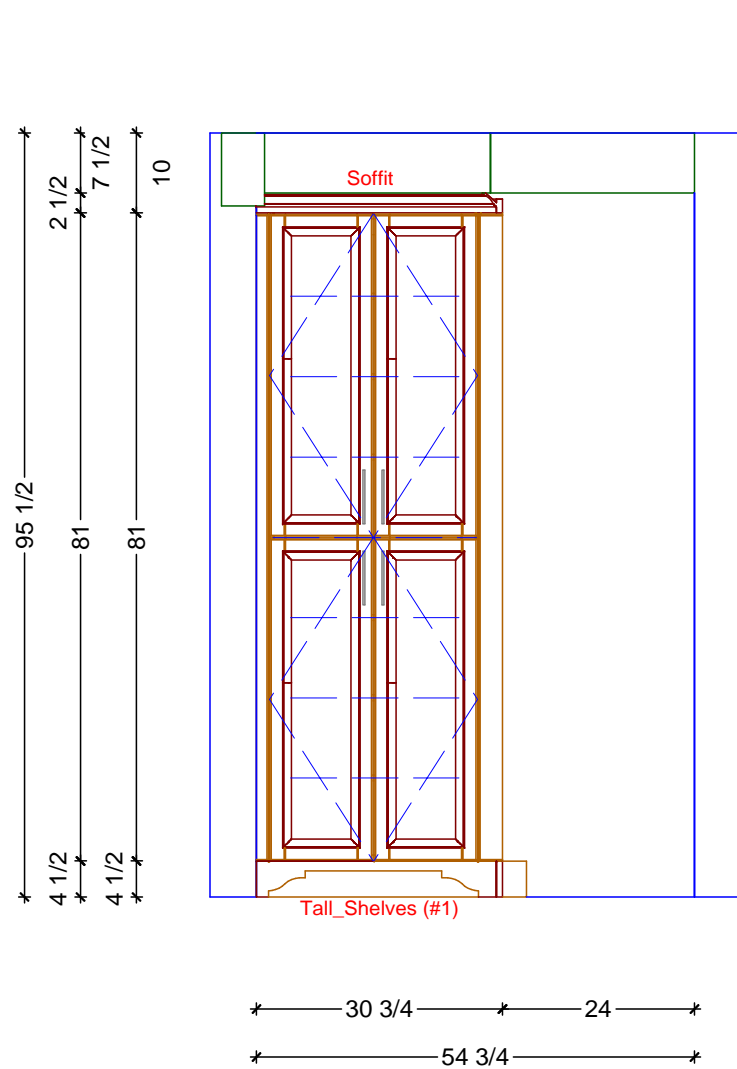
Approved _____

Dr By: Brian

Size: A

11/23/2016

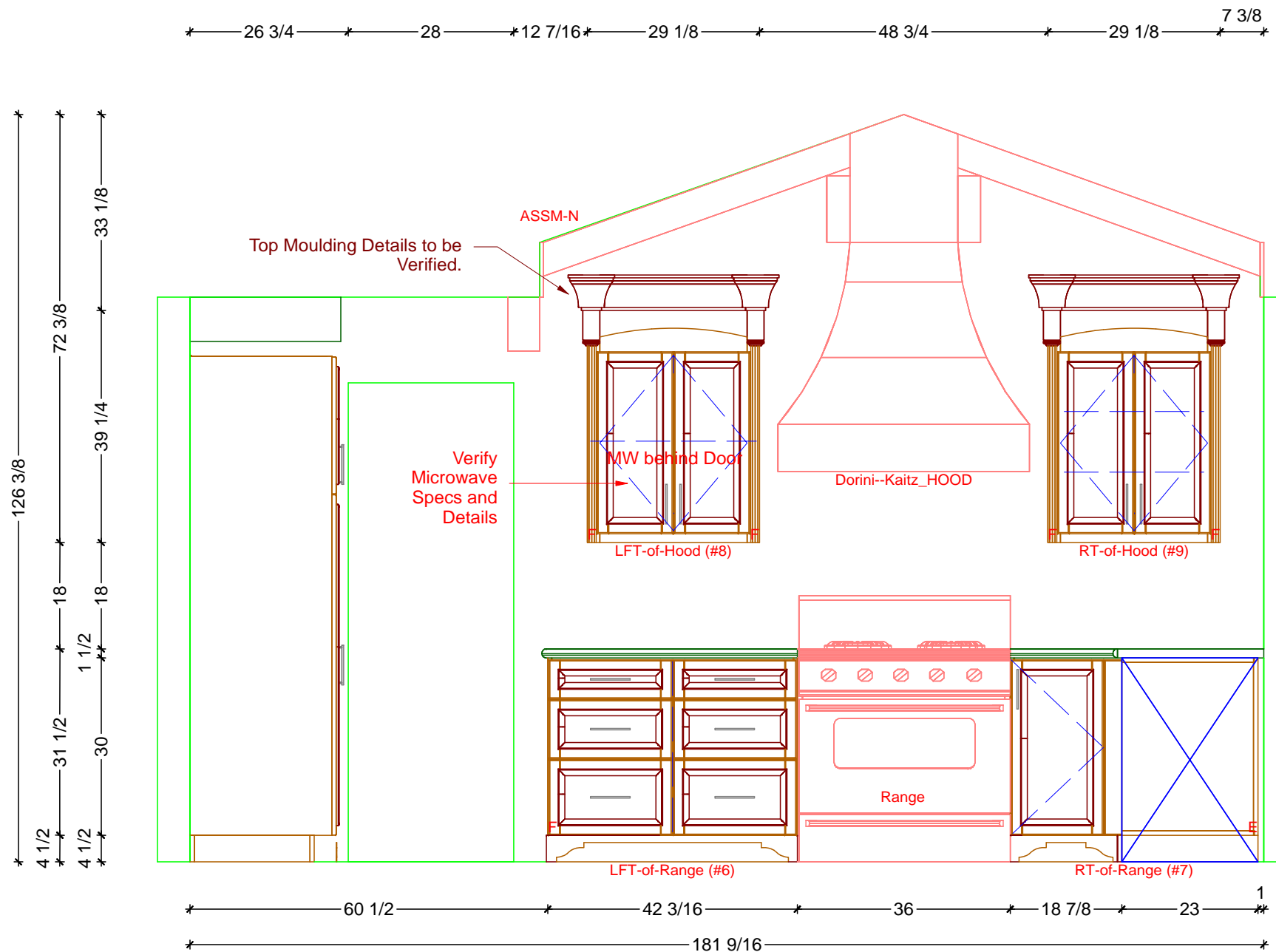
K.0



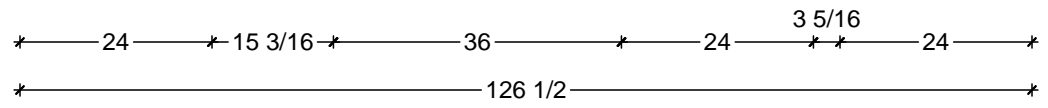
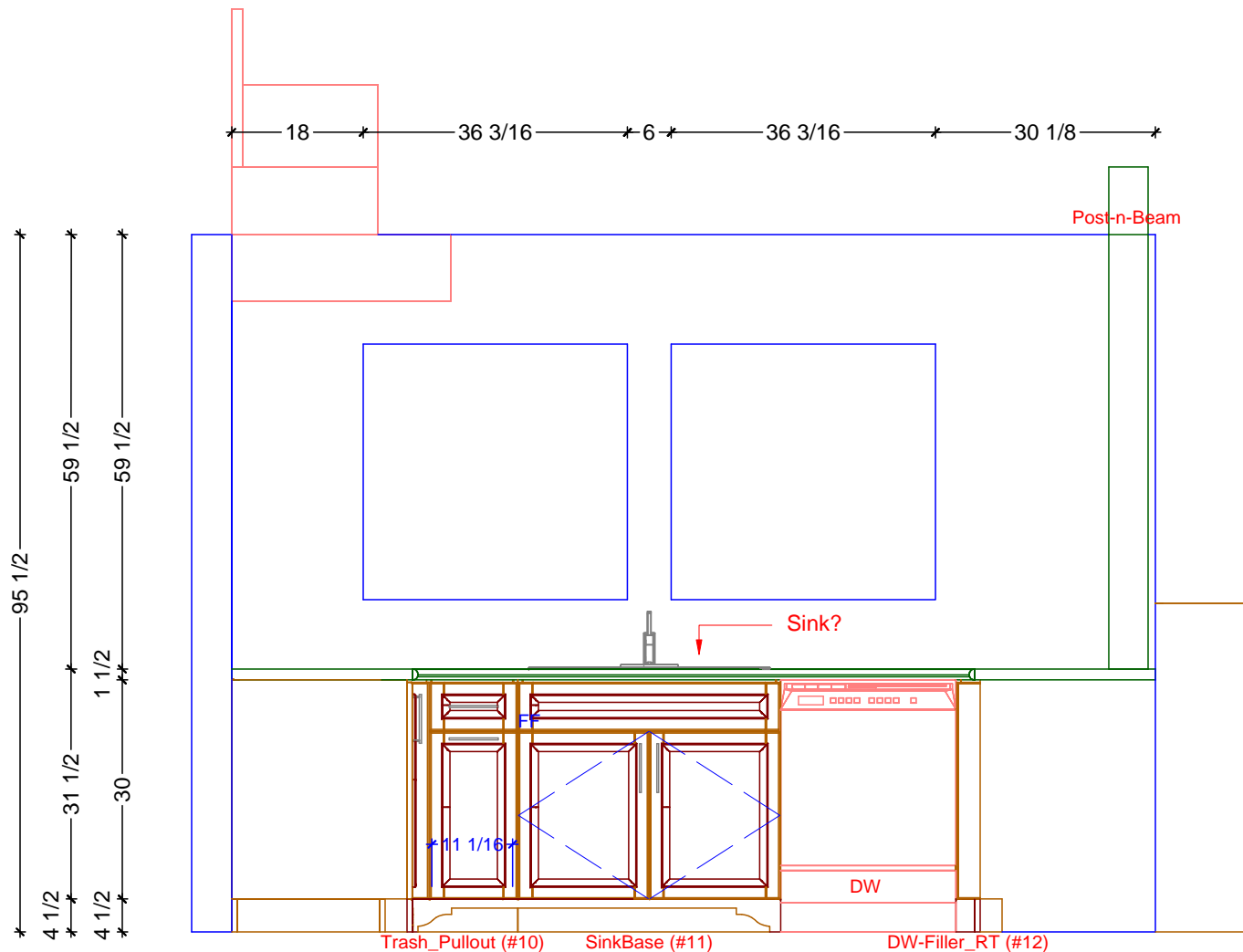
1 KITCHEN ELEVATION - SHALLOW TALL STORAGE
SCALE: 1/2" = 1' 0"

2 KITCHEN ELEVATION - FRIDGE AND OVEN RUN
SCALE: 1/2" = 1' 0"

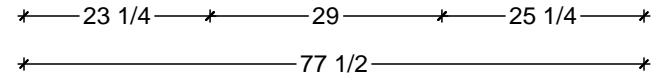
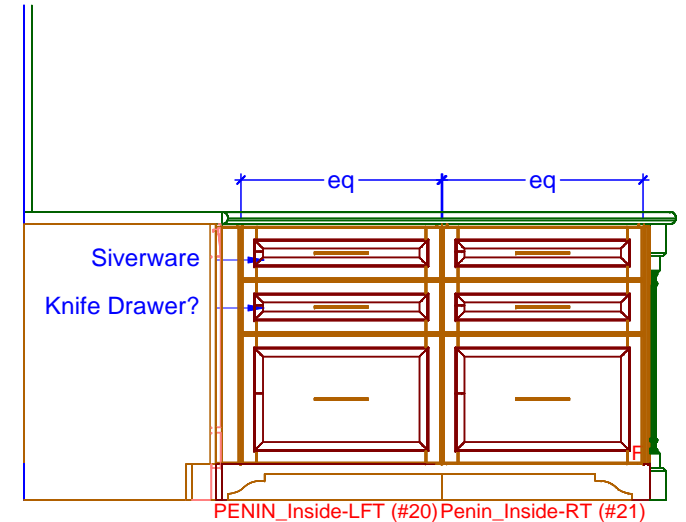
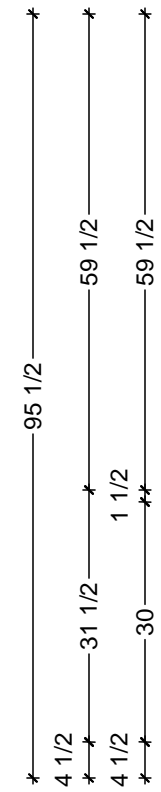




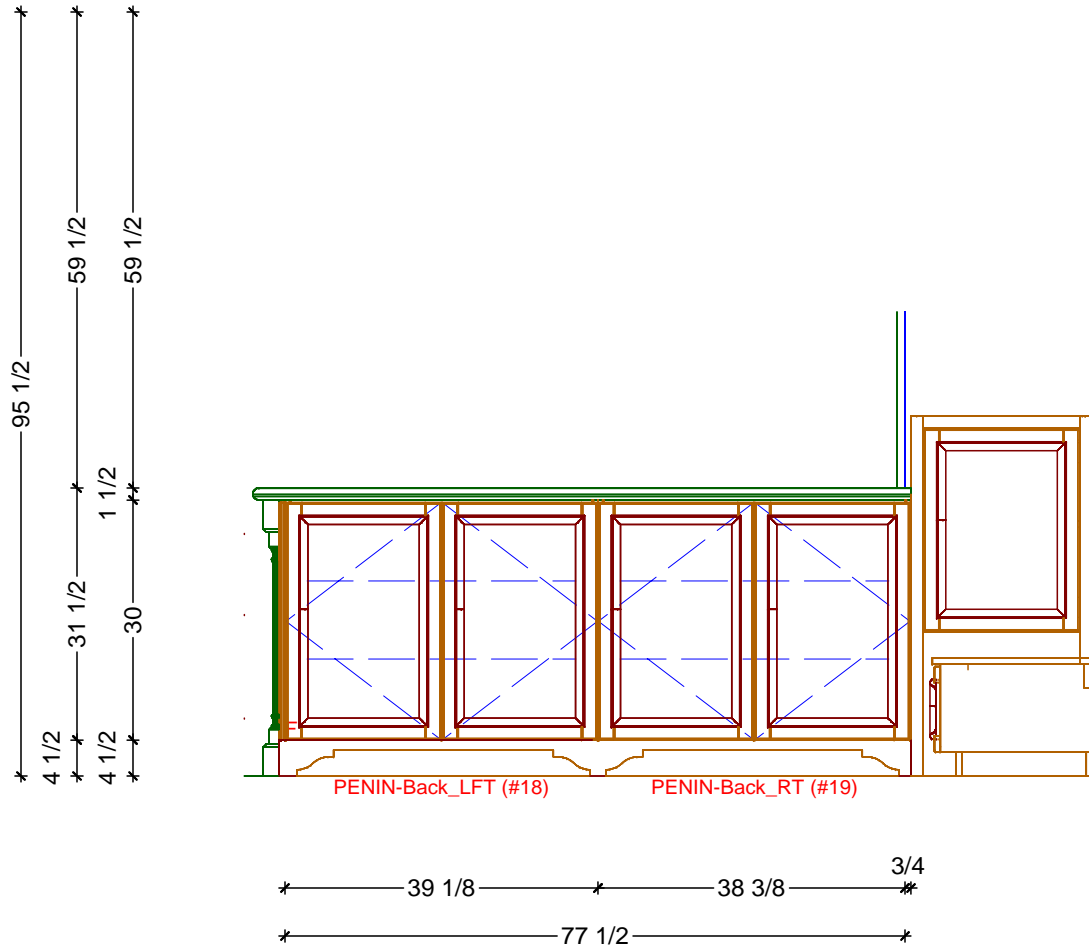
1 KITCHEN ELEVATION - RANGE RUN
 SCALE: 1/2" = 1' 0"



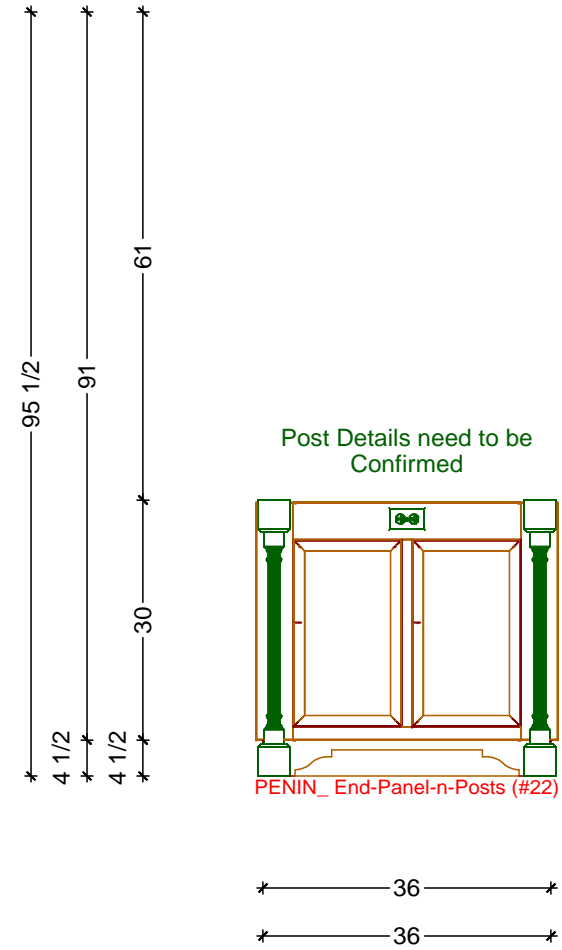
1 KITCHEN ELEVATION - SINK RUN
SCALE: 1/2" = 1' 0"



2 KITCHEN ELEVATION - INNER PENINSULA
SCALE: 1/2" = 1' 0"

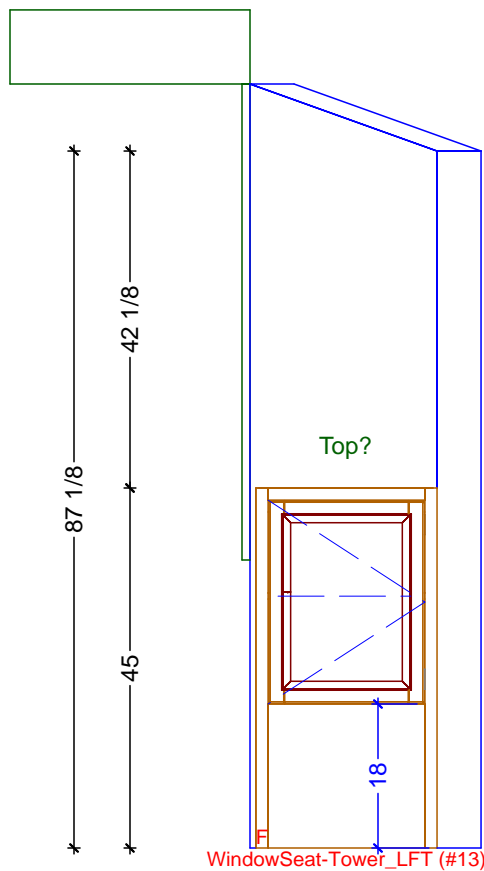


1 KITCHEN ELEVATION - OUTER PENINSULA
SCALE: 1/2" = 1' 0"



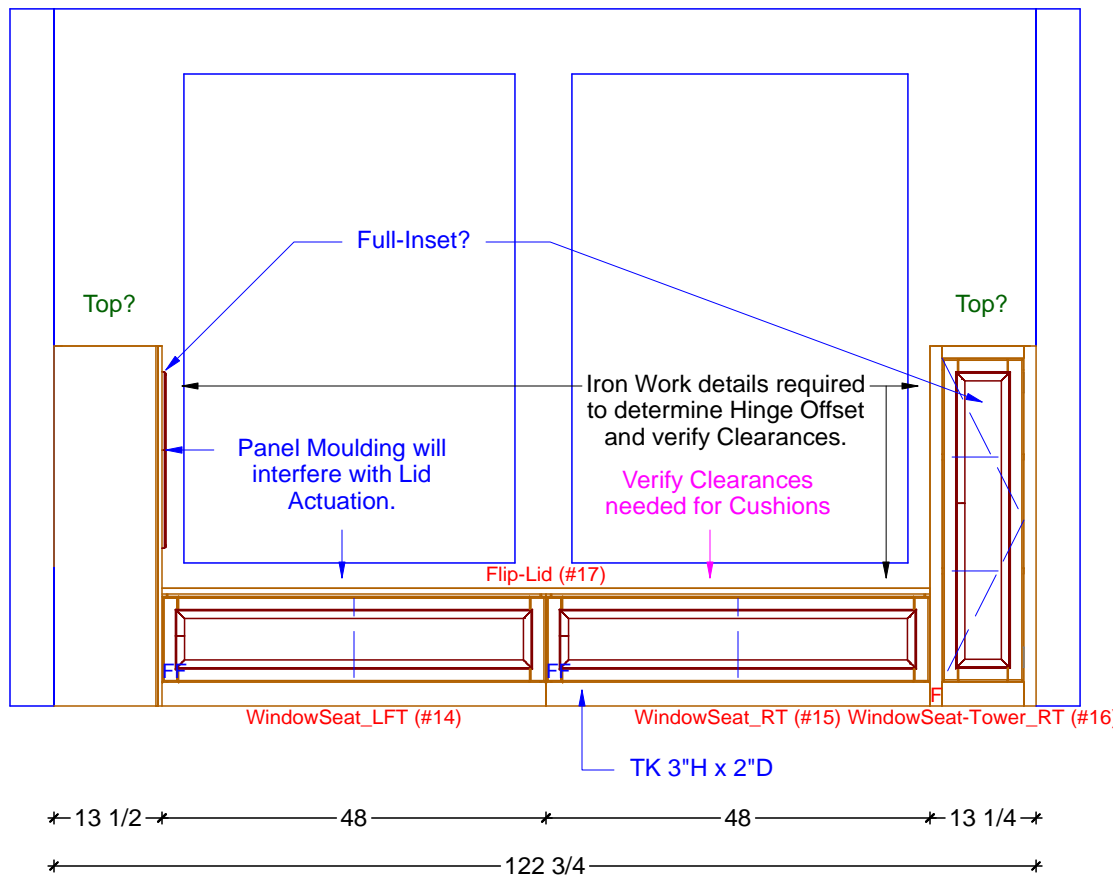
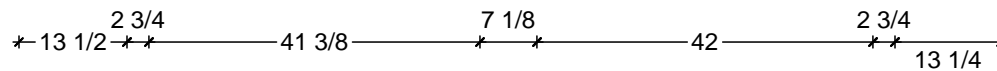
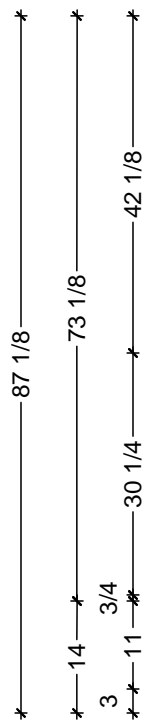
2 KITCHEN ELEVATION - PENINSULA END
SCALE: 1/2" = 1' 0"





WindowSeat-Tower_LFT (#13)

3/4
 * 22 5/8 *
 * 23 3/8 *



2

KITCHEN ELEVATION - WINDOW SEAT

SCALE: 1/2" = 1' 0"

1

KITCHEN ELEVATION - WINDOW TOWER-LEFT

SCALE: 1/2" = 1' 0"





Classic Bath Designs, Inc.
 11544 Sheldon St., Sun Valley, CA 91352
 818.767.1144 fax: 818.767.1278



Cust: Ed Dorini for Kaitz

Approved _____

PO# KITCHEN

Job: FL-S_PreFIN/PG:perSample_IntEB:PreFIN

Scale: As Noted

Size: L

Dr By: Brian

11/23/2016

Rndr



Classic Bath Designs, Inc.
 11544 Sheldon St., Sun Valley, CA 91352
 818.767.1144 fax: 818.767.1278



Cust: Ed Dorini for Kaitz

Approved _____

PO# KITCHEN

Job: FL-S_PreFIN/PG:perSample_IntEB:PreFIN

Scale: As Noted

Size: L

Dr By: Brian

11/23/2016

Rndr



Classic Bath Designs, Inc.
 11544 Sheldon St., Sun Valley, CA 91352
 818.767.1144 fax: 818.767.1278



Cust: Ed Dorini for Kaitz

Approved _____

PO# KITCHEN

Job: FL-S_PreFIN/PG:perSample_IntEB:PreFIN

Scale: As Noted

Size: L

Dr By: Brian

11/23/2016

Rndr