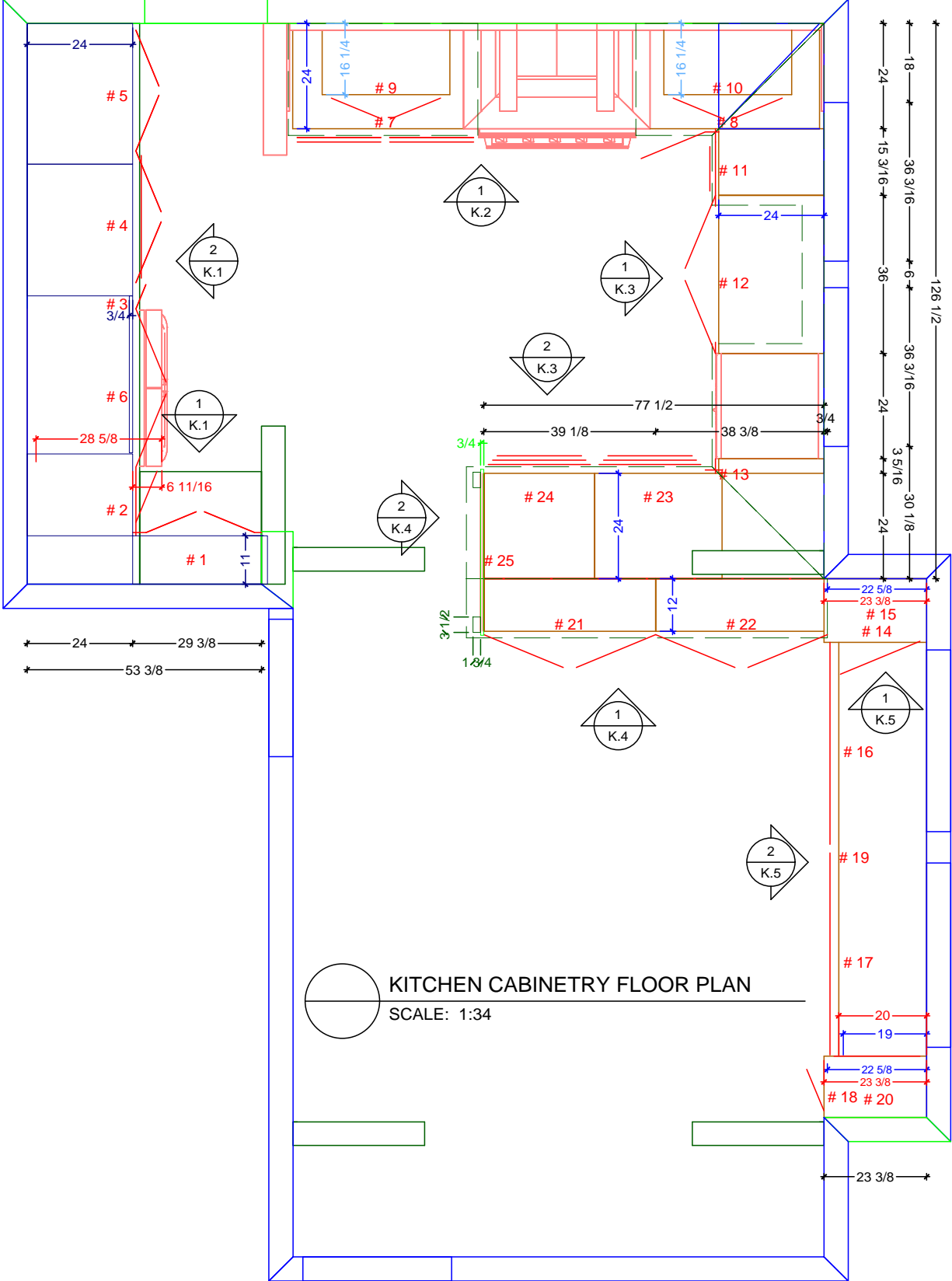


181 9/16
 26 3/4 28 12 7/16 29 1/8 48 3/4 29 1/8 7 3/8
 60 1/2 42 3/16 36 18 7/8 23



127 3/4
 65 1/16 29 1/16
 36 30 6
 26 11/16 36 36 11 15 11/16



18 24 36 3/16 15 3/16 36 6 36 3/16 24 3 5/16 30 1/8 24 126 1/2

24 29 3/8 53 3/8

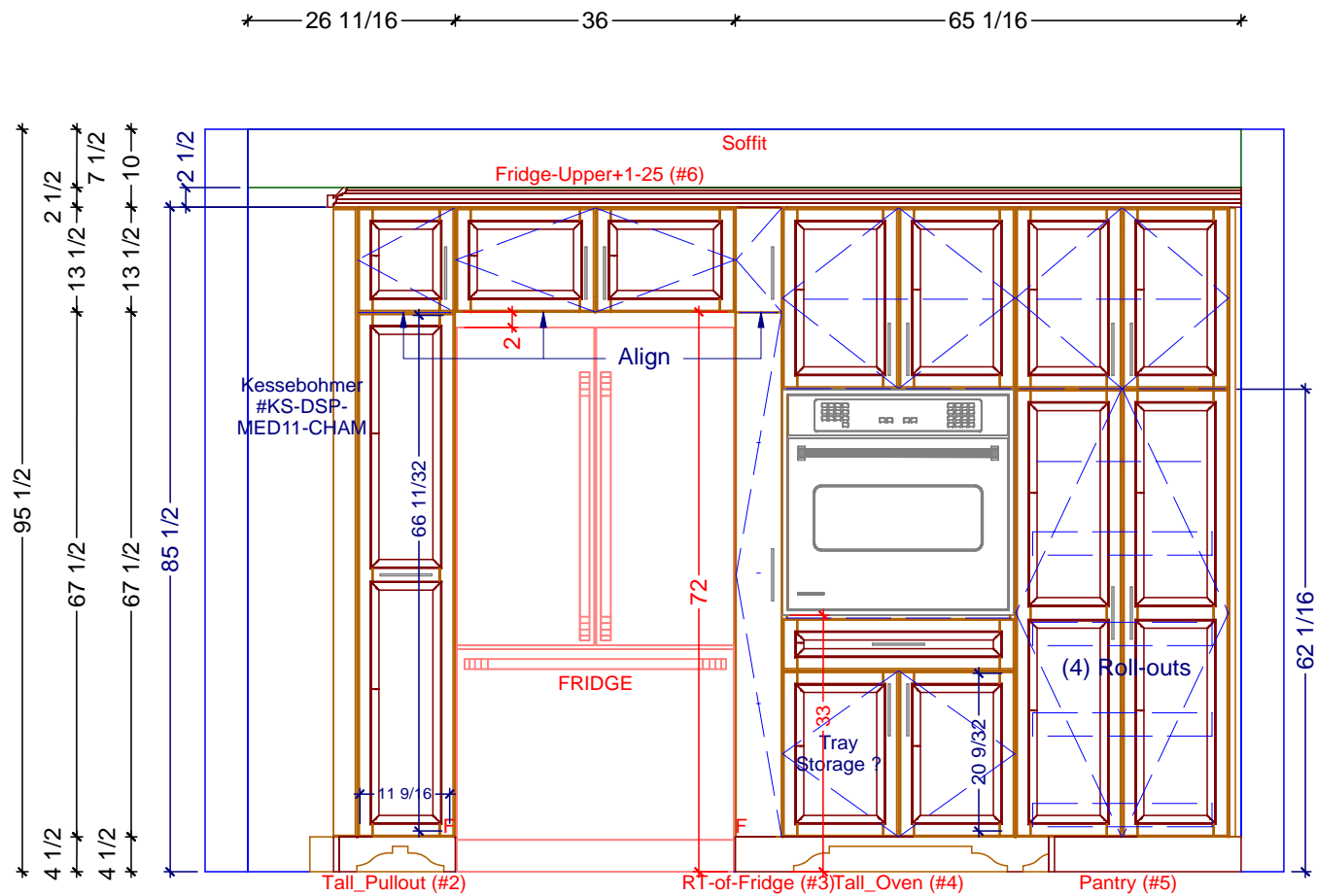
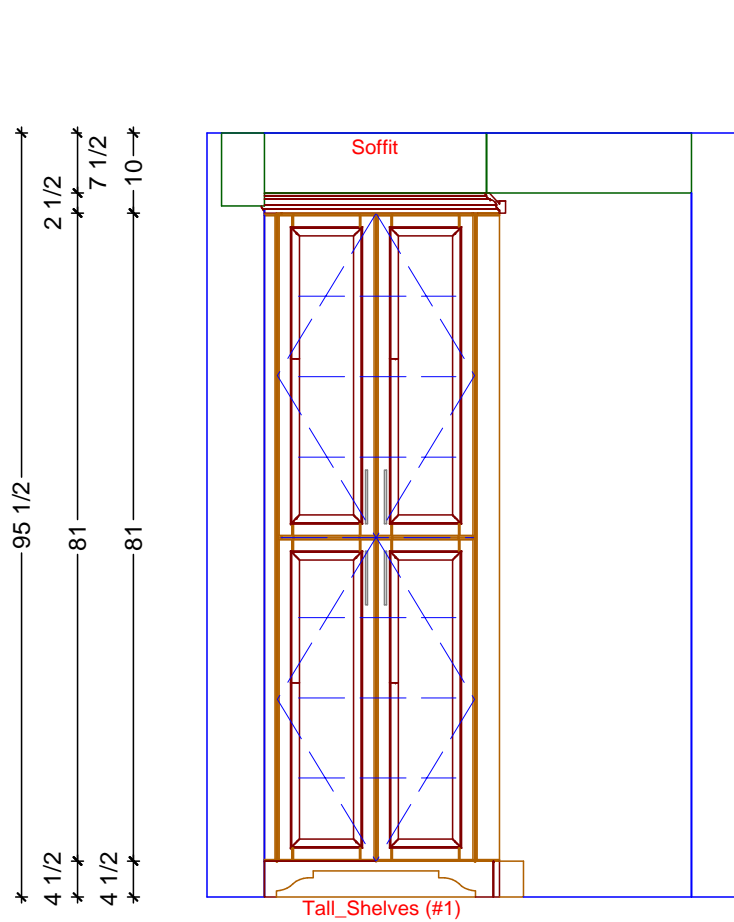
2 3/4 41 3/8 122 3/4 7 1/8 42 2 13 1/4 3/4 13 1/4

KITCHEN CABINETRY FLOOR PLAN
 SCALE: 1:34

Classic Bath Designs, Inc.
 11544 Sheldon St., Sun Valley, CA 91352
 818.767.1144 fax: 818.767.1278



Cust: Ed Dorini for Kaitz		PO# KITCHEN		Scale: As Noted		Size: A		12/06/2016		K.0
Job: FL-S_PrefIN/PG:perSample_IntEB:PreFIN			Dr By: Brian			Approved				



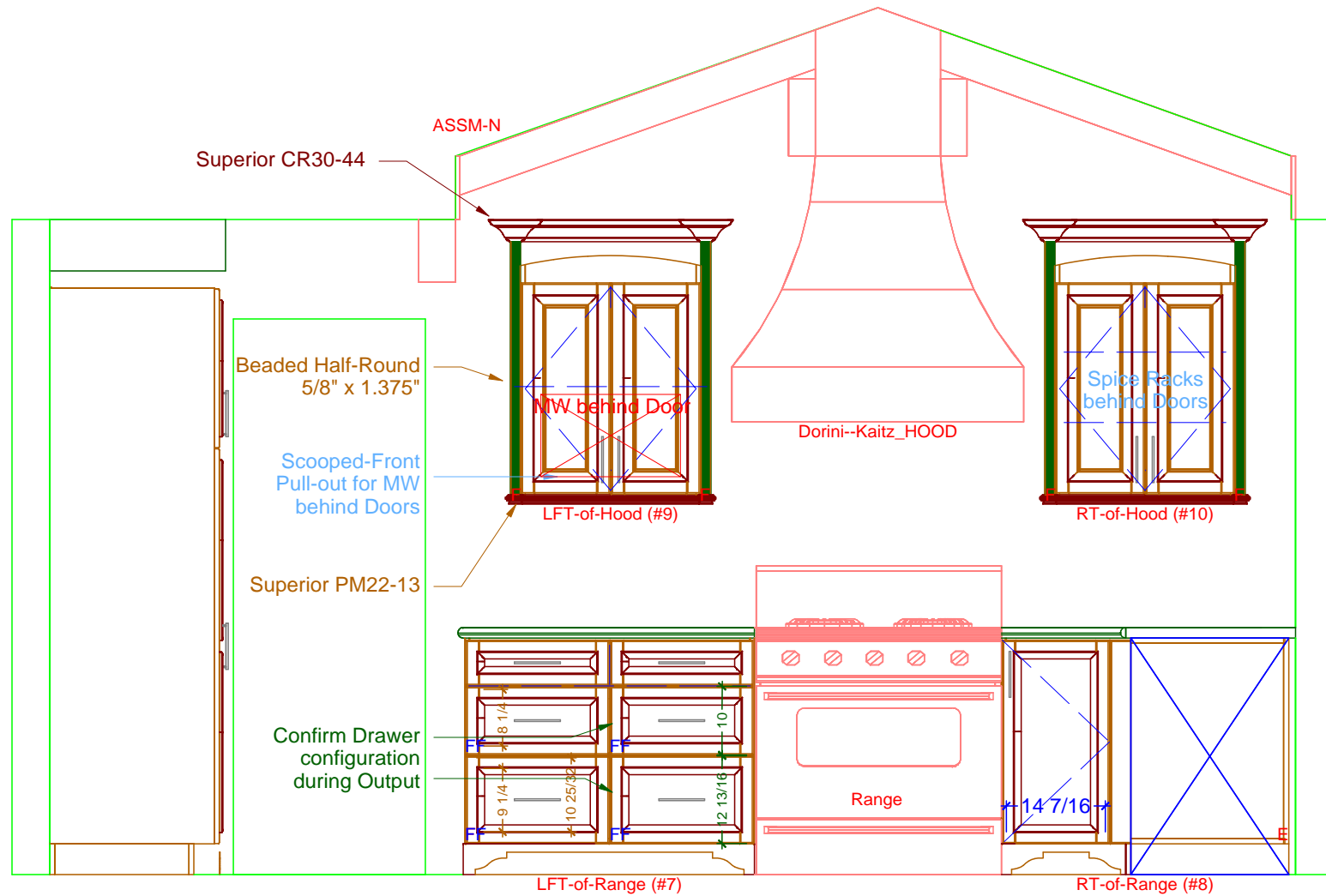
1 KITCHEN ELEVATION - SHALLOW TALL STORAGE
SCALE: 1/2" = 1' 0"

2 KITCHEN ELEVATION - FRIDGE AND OVEN RUN
SCALE: 1/2" = 1' 0"



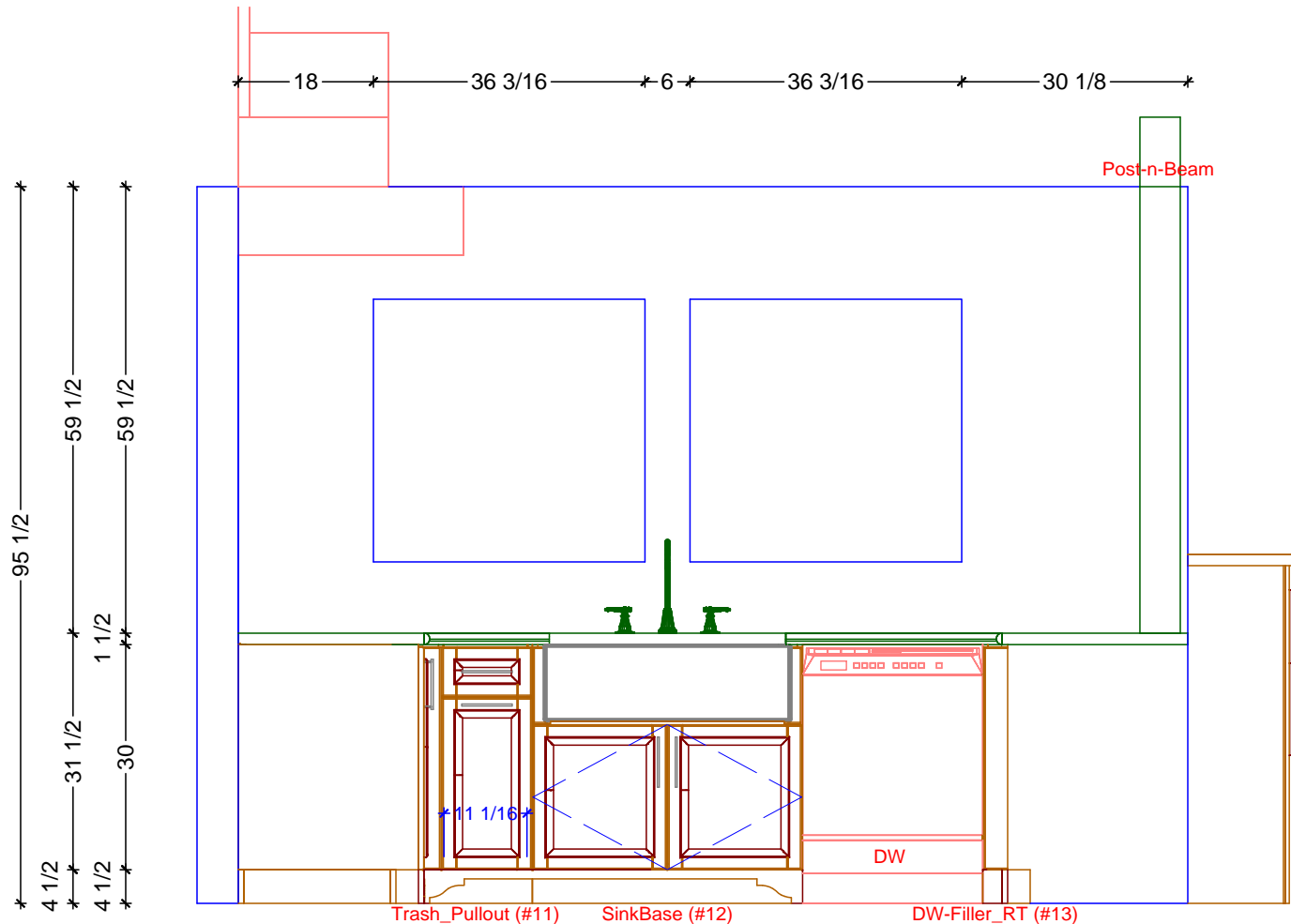
26 3/4 28 12 7/16 29 1/8 48 3/4 29 1/8 7 3/8

126 3/8
 72 3/8
 39 1/4
 18
 18
 1 1/2
 31 1/2
 30
 4 1/2
 4 1/2



60 1/2 42 3/16 36 18 7/8 23 1

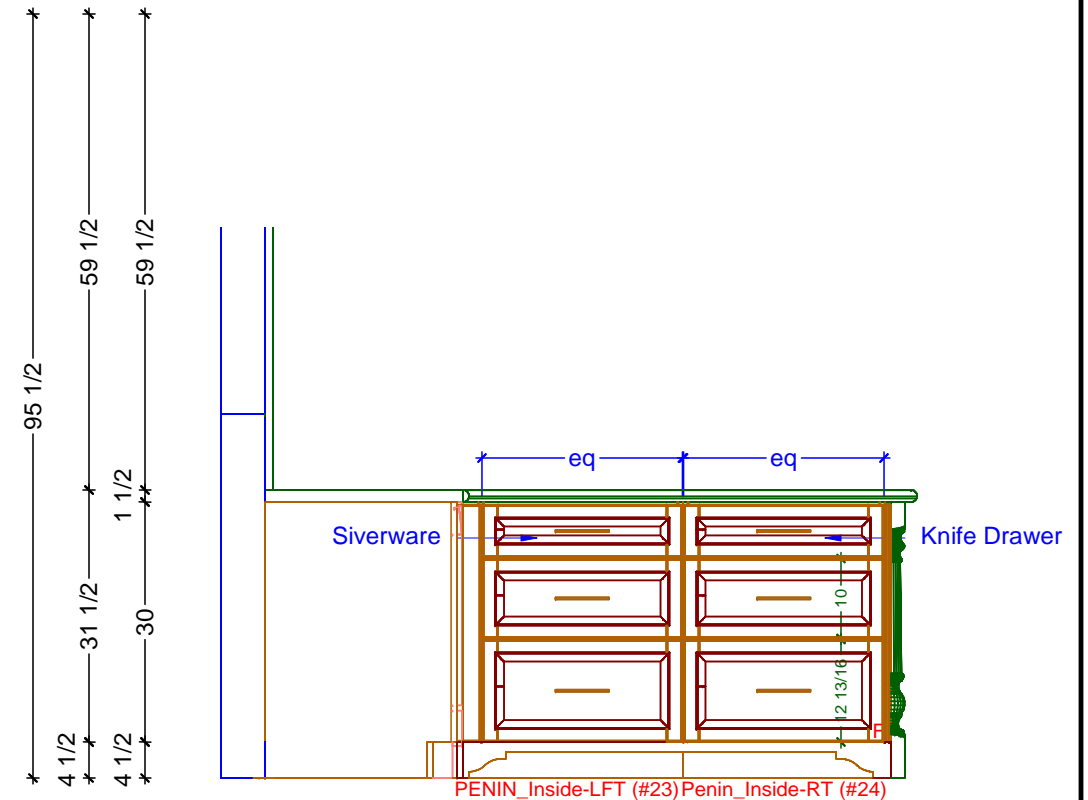
1 KITCHEN ELEVATION - RANGE RUN 181 9/16
 SCALE: 1/2" = 1' 0"



* 24 * 15 3/16 * 36 * 24 * 3 5/16 * 24 *

* 126 1/2 *

1 KITCHEN ELEVATION - SINK RUN
SCALE: 1/2" = 1' 0"

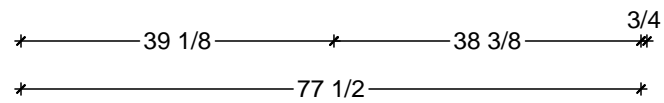
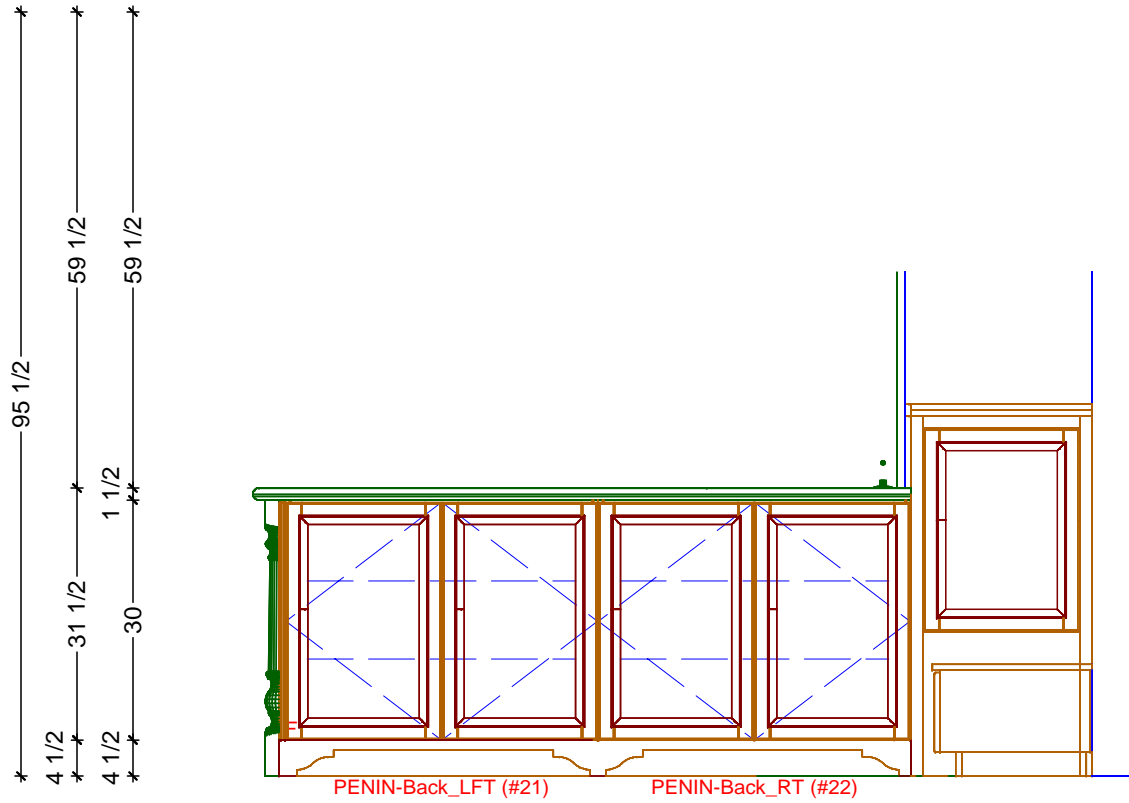


* 23 1/4 * 29 * 25 1/4 *

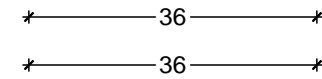
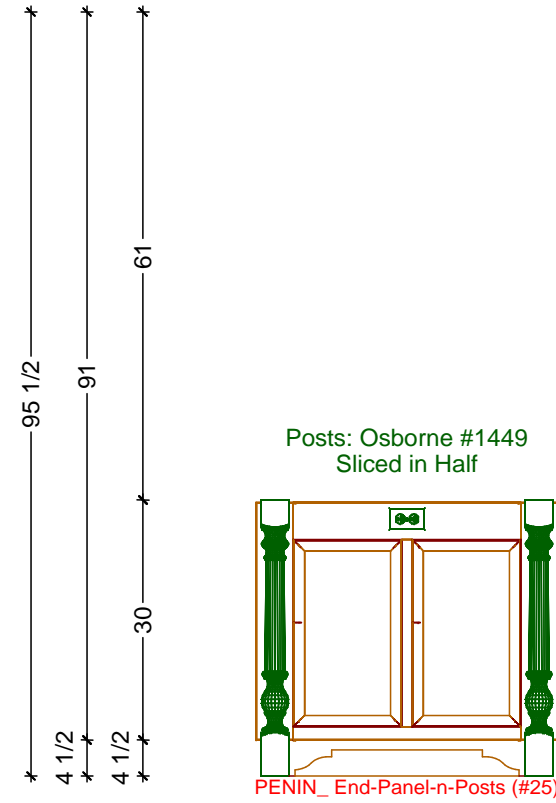
* 77 1/2 *

2 KITCHEN ELEVATION - INNER PENINSULA
SCALE: 1/2" = 1' 0"



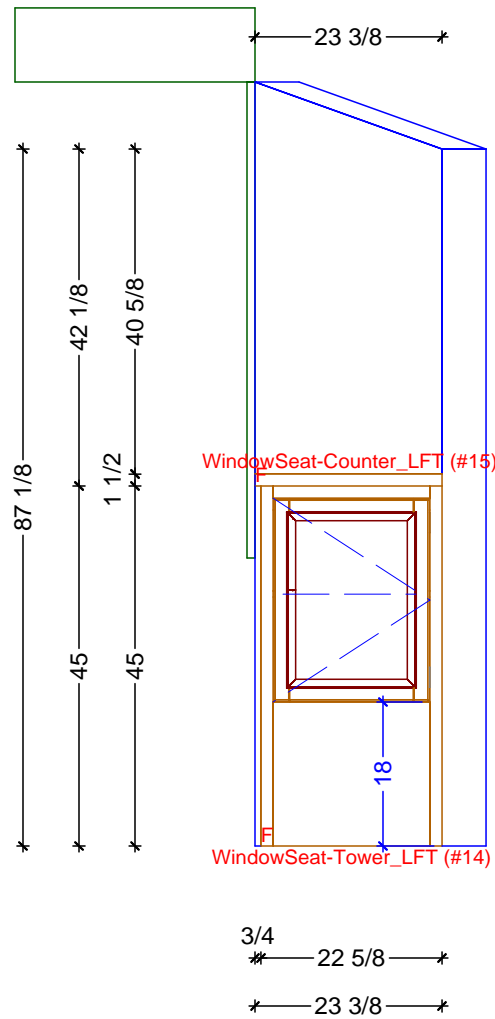


1 KITCHEN ELEVATION - OUTER PENINSULA
SCALE: 1/2" = 1' 0"



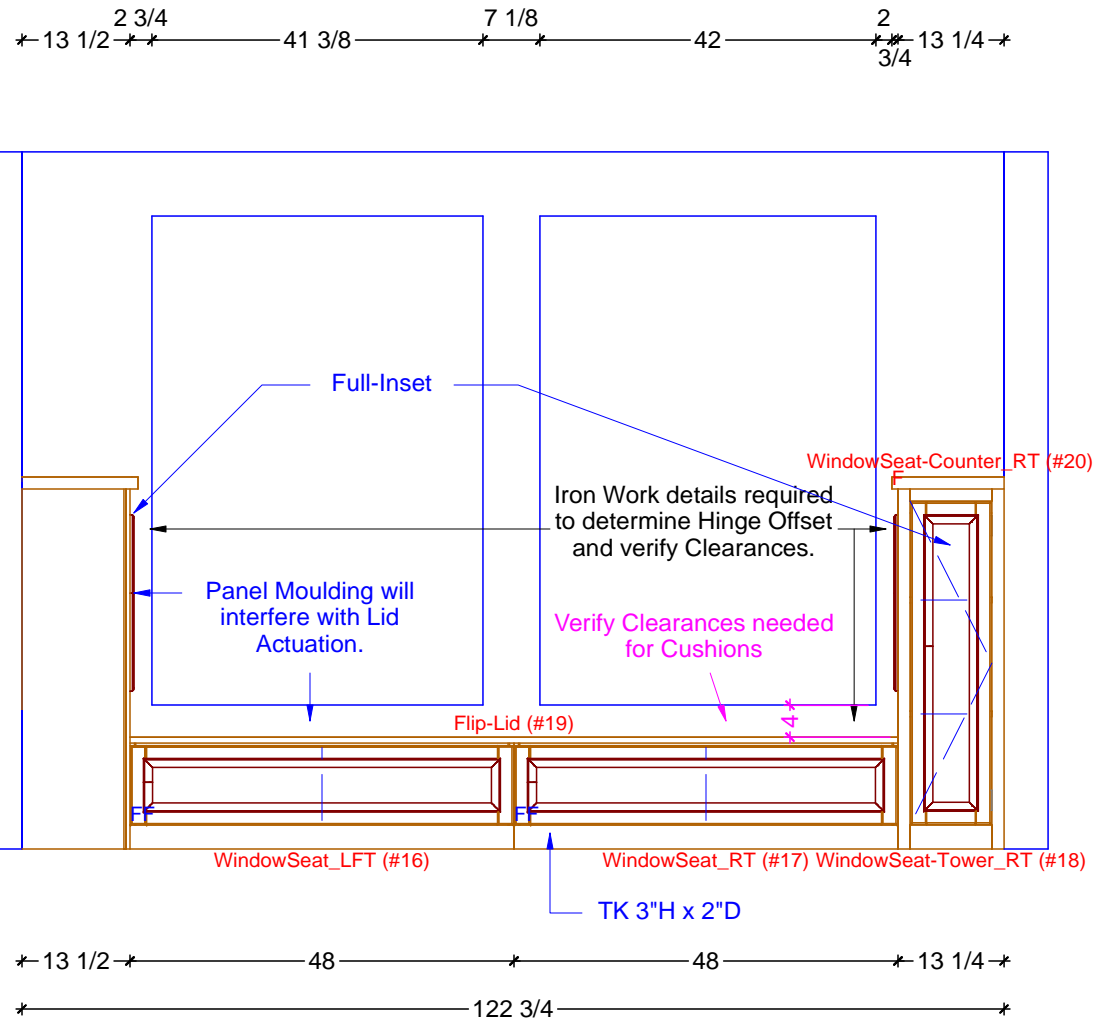
2 KITCHEN ELEVATION - PENINSULA END
SCALE: 1/2" = 1' 0"





1

KITCHEN ELEVATION - WINDOW TOWER-LEFT
SCALE: 1/2" = 1' 0"



2

KITCHEN ELEVATION - WINDOW SEAT
SCALE: 1/2" = 1' 0"





Classic Bath Designs, Inc.
 11544 Sheldon St., Sun Valley, CA 91352
 818.767.1144 fax: 818.767.1278



Cust: Ed Dorini for Kaitz

Approved _____

PO# KITCHEN

Job: FL-S_PreFIN/PG:perSample_IntEB:PreFIN

Scale: As Noted

Size: L

Dr By: Brian

12/06/2016

Rndr



Classic Bath Designs, Inc.
 11544 Sheldon St., Sun Valley, CA 91352
 818.767.1144 fax: 818.767.1278



Cust: Ed Dorini for Kaitz

Approved _____

PO# KITCHEN

Job: FL-S_PreFIN/PG:perSample_IntEB:PreFIN

Scale: As Noted

Size: L

Dr By: Brian

12/06/2016

Rndr



Classic Bath Designs, Inc.
 11544 Sheldon St., Sun Valley, CA 91352
 818.767.1144 fax: 818.767.1278



Cust: Ed Dorini for Kaitz

Approved _____

PO# KITCHEN

Job: FL-S_PreFIN/PG:perSample_IntEB:PreFIN

Scale: As Noted

Size: L

Dr By: Brian

12/06/2016

Rndr