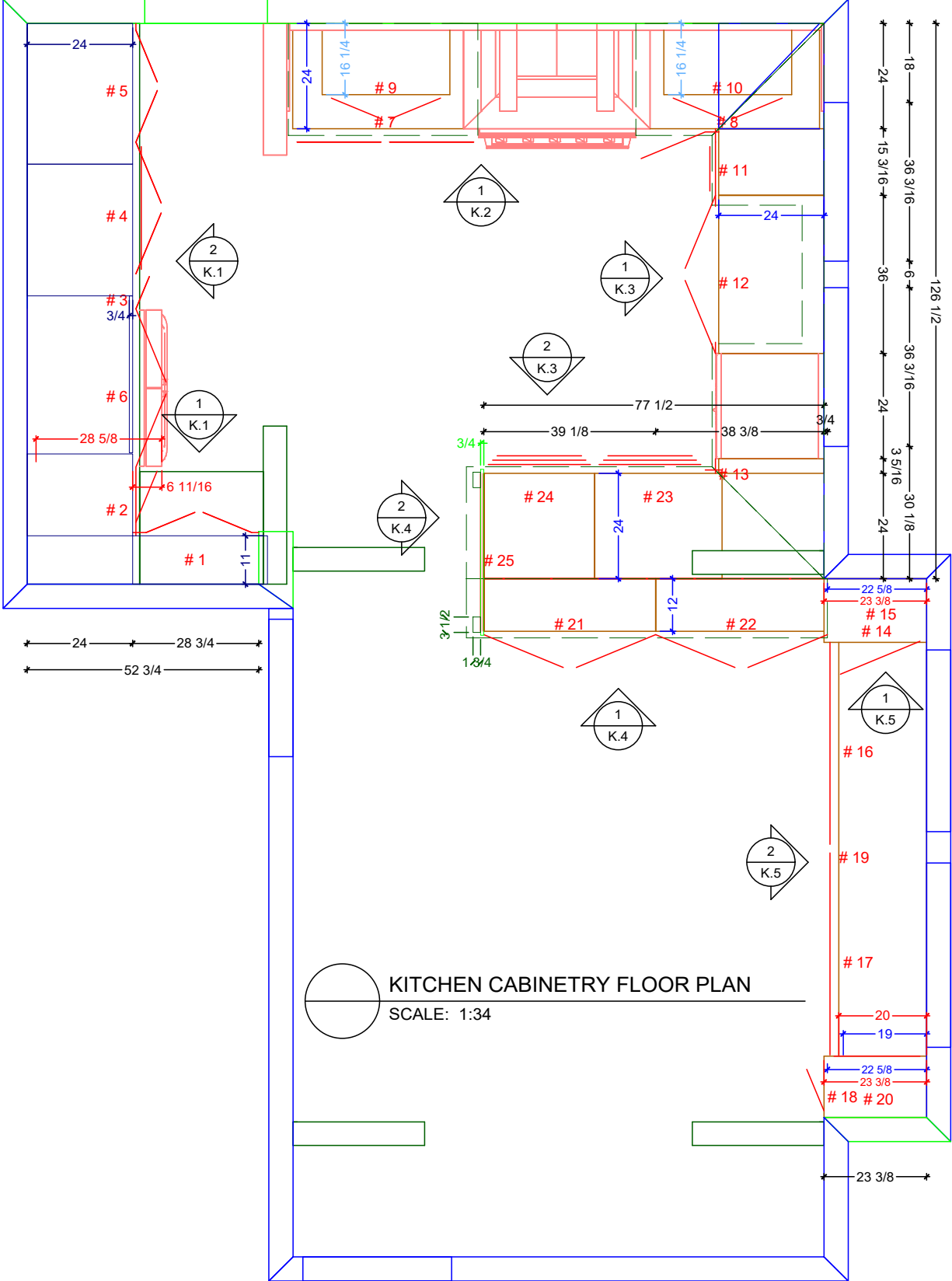


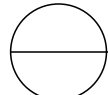
181 9/16
 26 3/4 28 12 7/16 29 1/8 48 3/4 29 1/8 7 3/8
 60 1/2 42 3/16 36 18 7/8 23




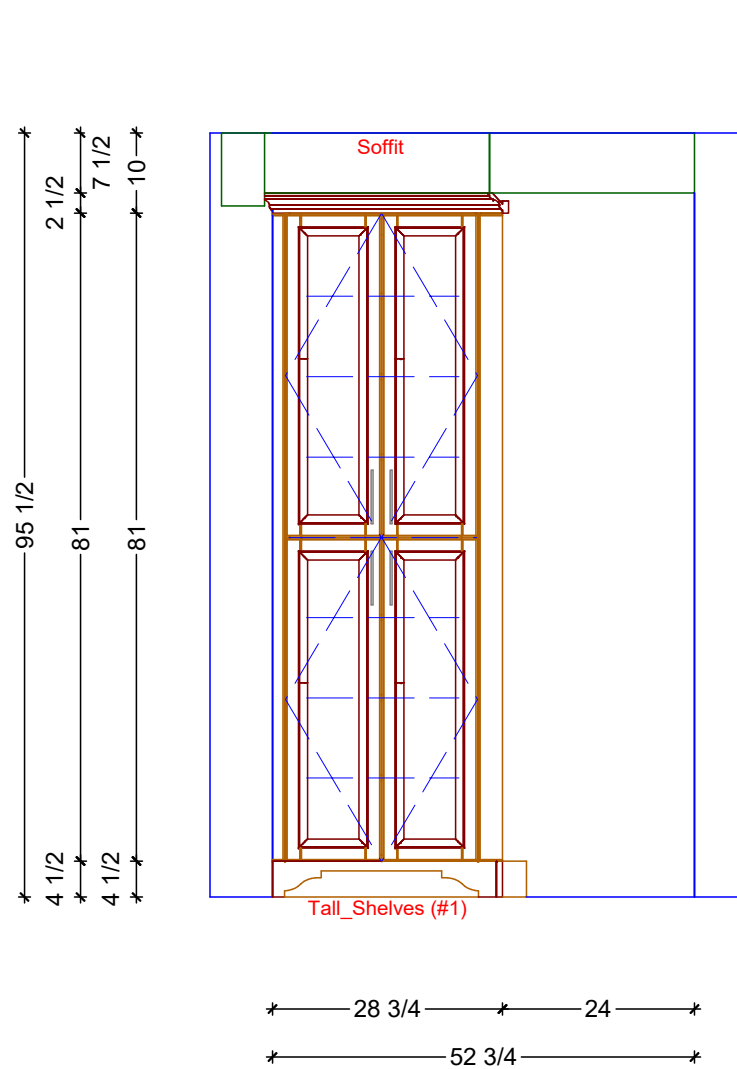
127 3/4
 65 1/16 30 8 36 36 26 11/16 11 15 11/16



126 1/2
 36 3/16 6 36 3/16 24 3 5/16 30 1/8 24 22 5/8 23 3/8 13 1/2 2 3/4 41 3/8 7 1/8 42 48 2 13 1/4 13 1/4

 **KITCHEN CABINETRY FLOOR PLAN**
 SCALE: 1:34

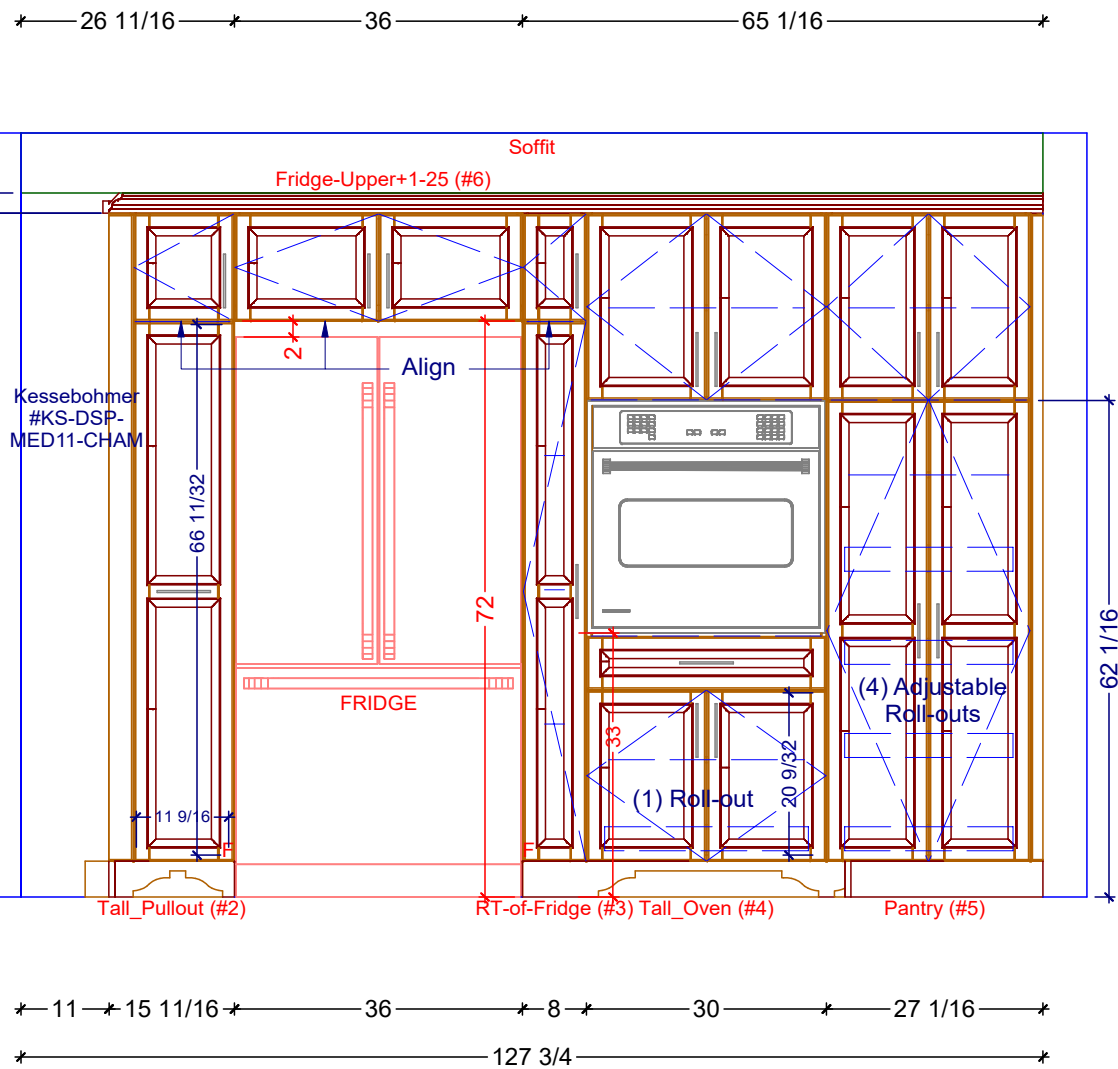
Cust: Ed Dorini for Kaitz		PO# KITCHEN		Classic Bath Designs, Inc. 11544 Sheldon St., Sun Valley, CA 91352 818.767.1144 fax: 818.767.1278		
Job: FL-S_PrefIN/PG:perSample_IntEB:PreFIN		Scale: As Noted				
Approved		Dr By: Brian	Size: A	12/10/2016	K.0	



1

KITCHEN ELEVATION - SHALLOW TALL STORAGE

SCALE: 1/2" = 1' 0"



2

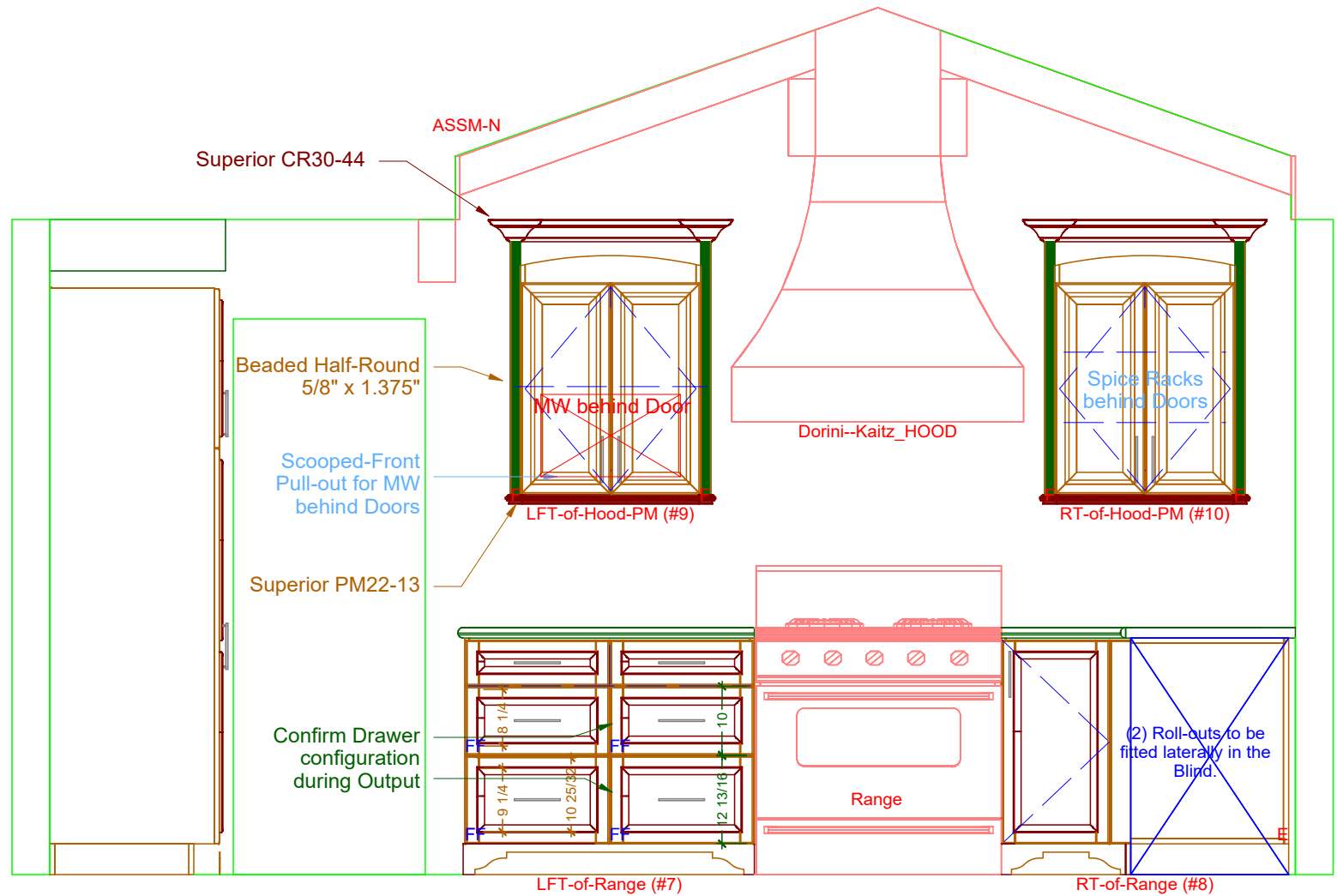
KITCHEN ELEVATION - FRIDGE AND OVEN RUN

SCALE: 1/2" = 1' 0"



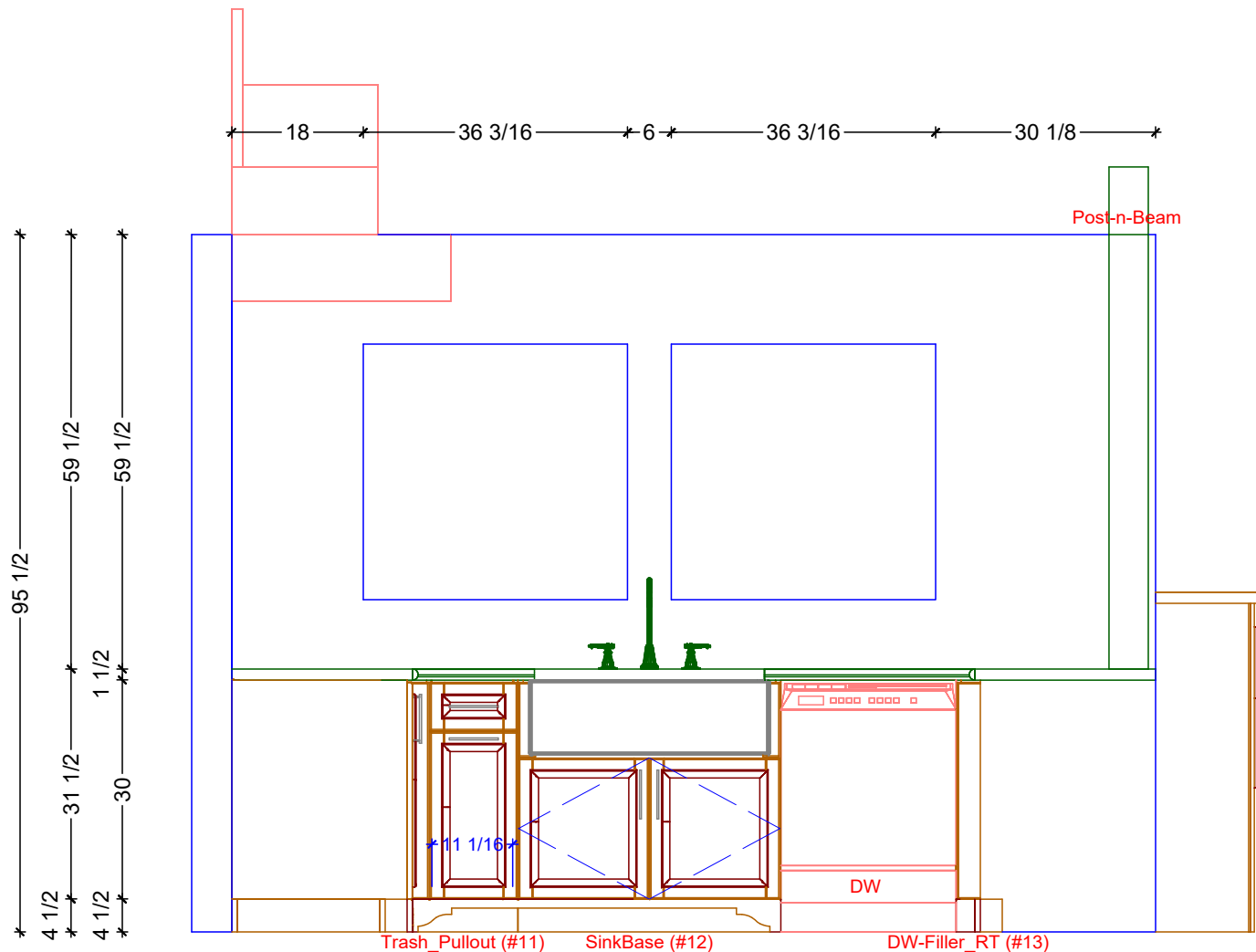
26 3/4 28 12 7/16 29 1/8 48 3/4 29 1/8 7 3/8

126 3/8
 72 3/8
 39 1/4
 18
 18
 1 1/2
 30
 31 1/2
 4 1/2
 4 1/2

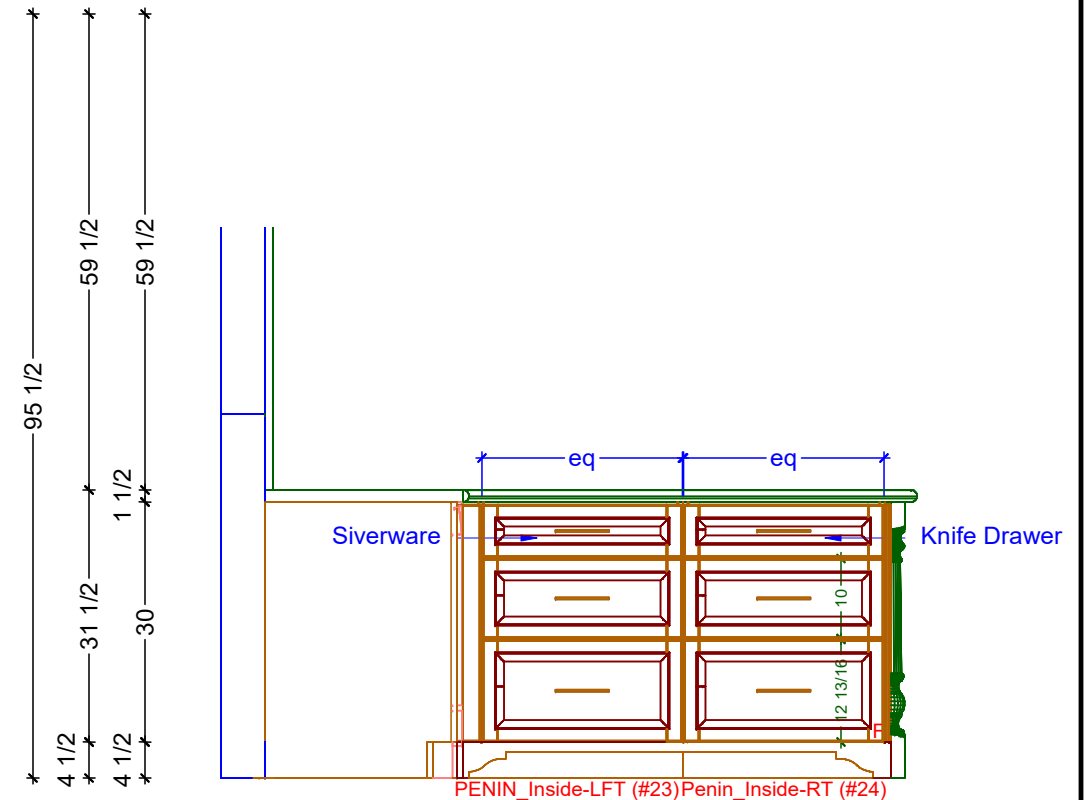


60 1/2 42 3/16 36 18 7/8 23 1

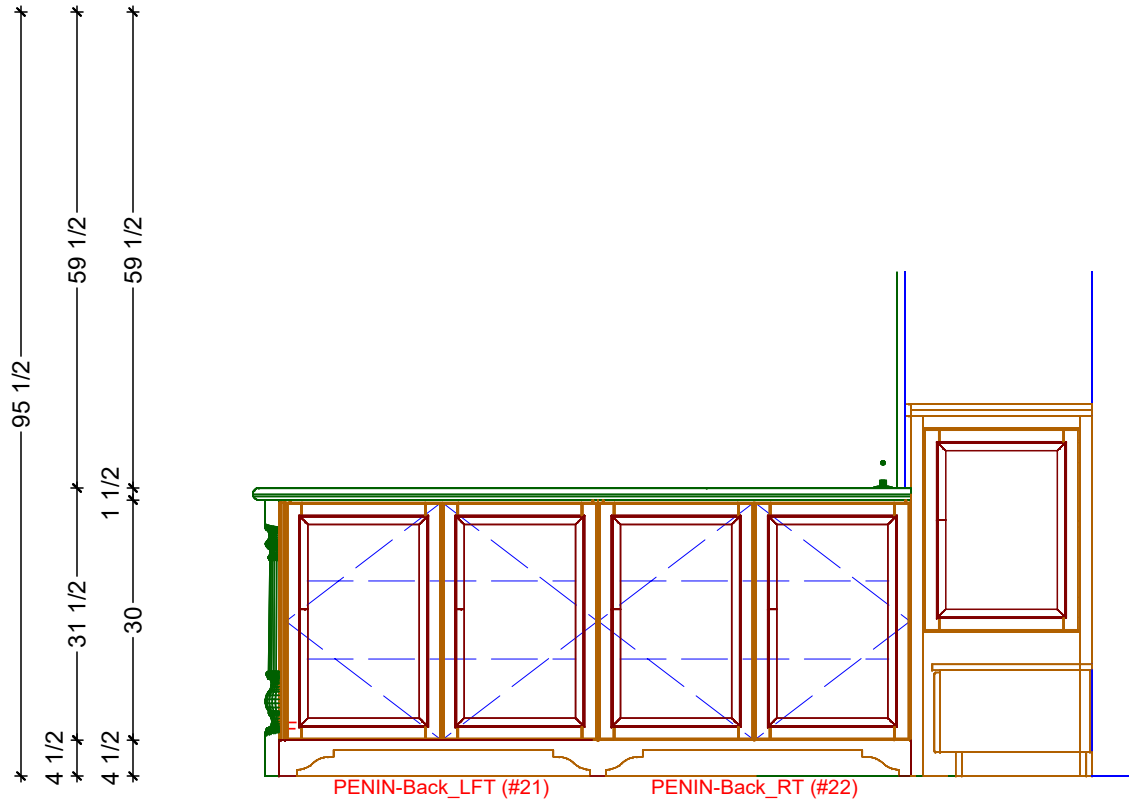
1 KITCHEN ELEVATION - RANGE RUN 181 9/16
 SCALE: 1/2" = 1' 0"



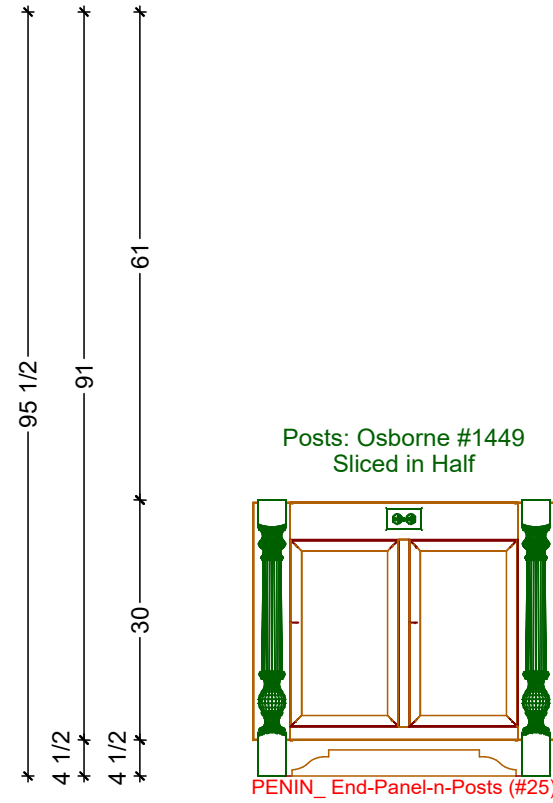
1 KITCHEN ELEVATION - SINK RUN
SCALE: 1/2" = 1' 0"



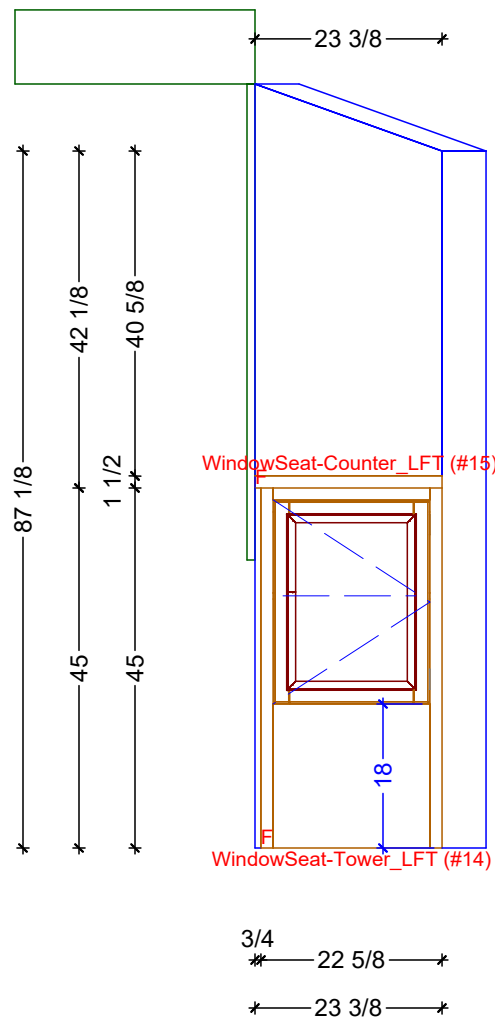
2 KITCHEN ELEVATION - INNER PENINSULA
SCALE: 1/2" = 1' 0"



1 KITCHEN ELEVATION - OUTER PENINSULA
SCALE: 1/2" = 1' 0"



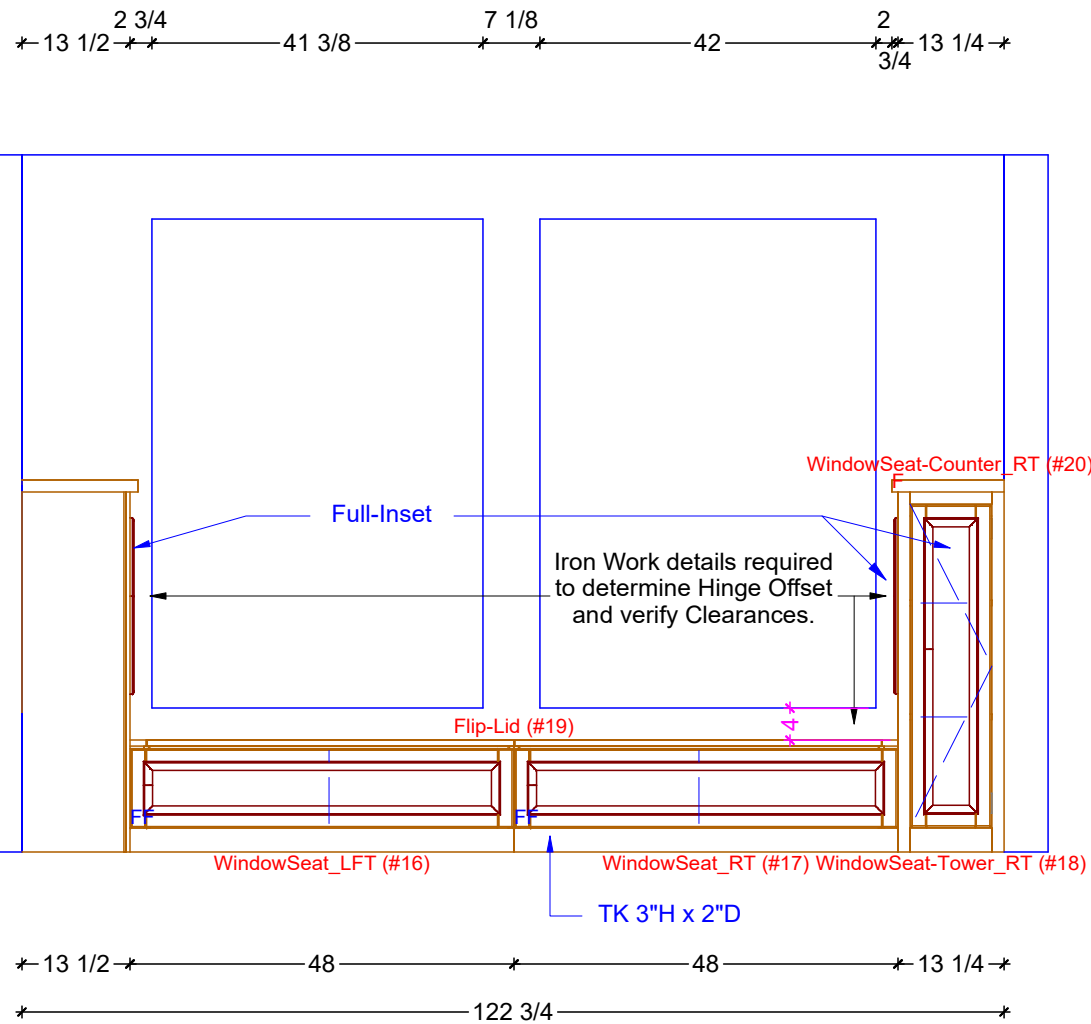
2 KITCHEN ELEVATION - PENINSULA END
SCALE: 1/2" = 1' 0"



1

KITCHEN ELEVATION - WINDOW TOWER-LEFT

SCALE: 1/2" = 1' 0"



2

KITCHEN ELEVATION - WINDOW SEAT

SCALE: 1/2" = 1' 0"





Classic Bath Designs, Inc.
 11544 Sheldon St., Sun Valley, CA 91352
 818.767.1144 fax: 818.767.1278



Cust: Ed Dorini for Kaitz

Approved _____

PO# KITCHEN

Job: FL-S_PreFIN/PG:perSample_IntEB:PreFIN

Scale: As Noted

Size: L

Dr By: Brian

12/10/2016

Rndr



Classic Bath Designs, Inc.
 11544 Sheldon St., Sun Valley, CA 91352
 818.767.1144 fax: 818.767.1278



Cust: Ed Dorini for Kaitz

Approved _____

PO# KITCHEN

Job: FL-S_PreFIN/PG:perSample_IntEB:PreFIN

Scale: As Noted

Size: L

Dr By: Brian

12/10/2016

Rndr



Classic Bath Designs, Inc.
 11544 Sheldon St., Sun Valley, CA 91352
 818.767.1144 fax: 818.767.1278



Cust: Ed Dorini for Kaitz

Approved _____

PO# KITCHEN

Job: FL-S_PreFIN/PG:perSample_IntEB:PreFIN

Scale: As Noted

Size: L

Dr By: Brian

12/10/2016

Rndr