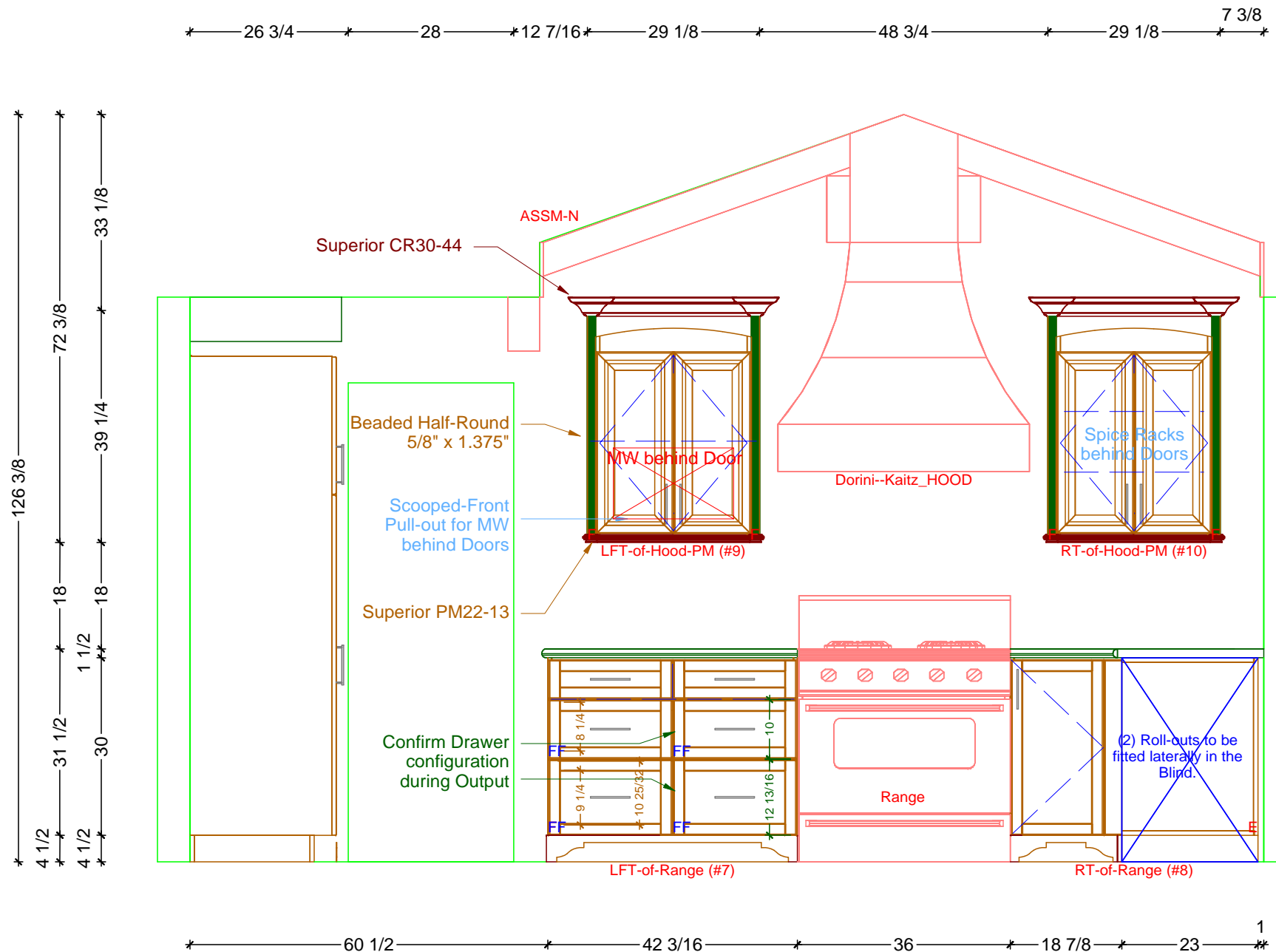


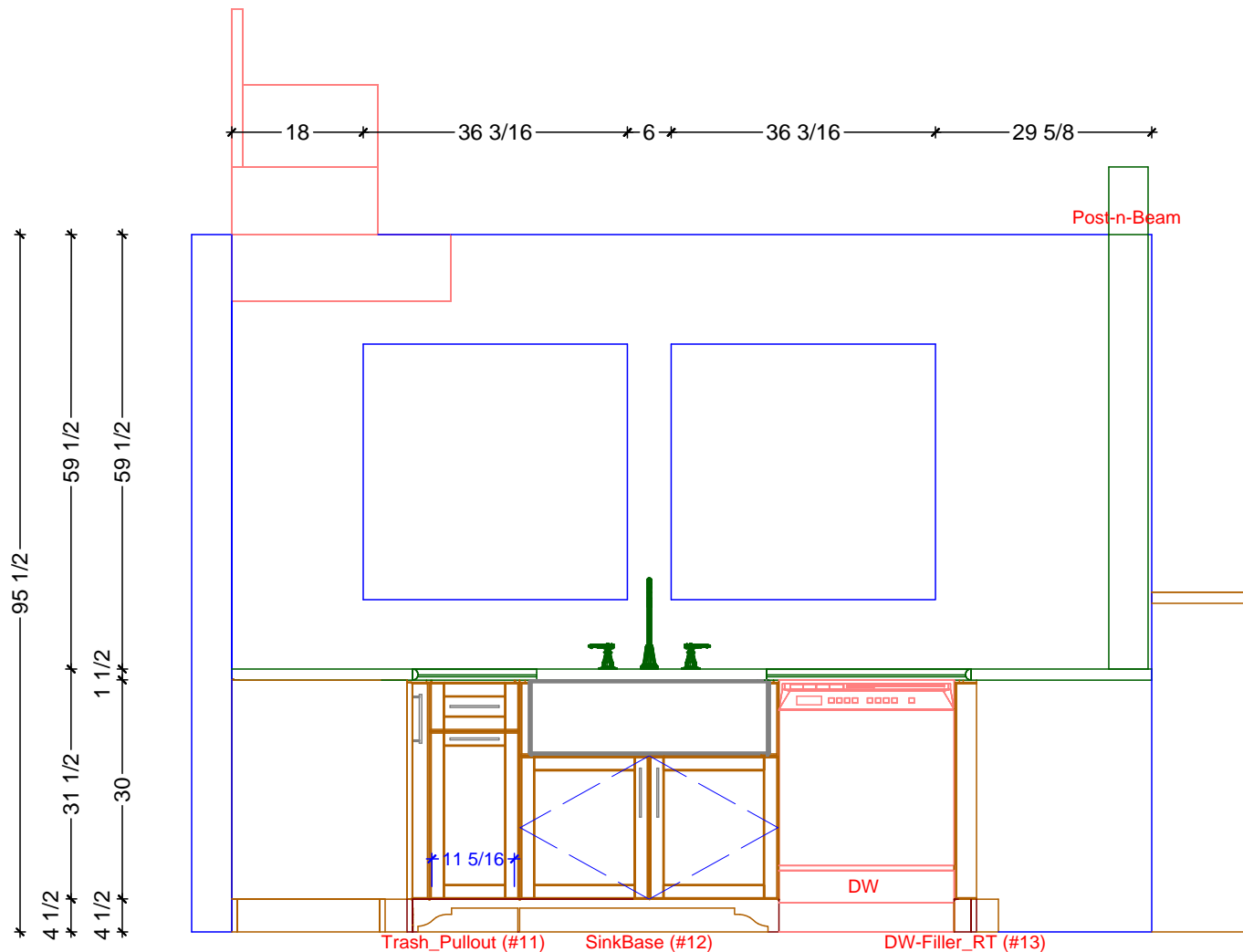
1 KITCHEN ELEVATION - SHALLOW TALL STORAGE
SCALE: 1/2" = 1' 0"

2 KITCHEN ELEVATION - FRIDGE AND OVEN RUN
SCALE: 1/2" = 1' 0"

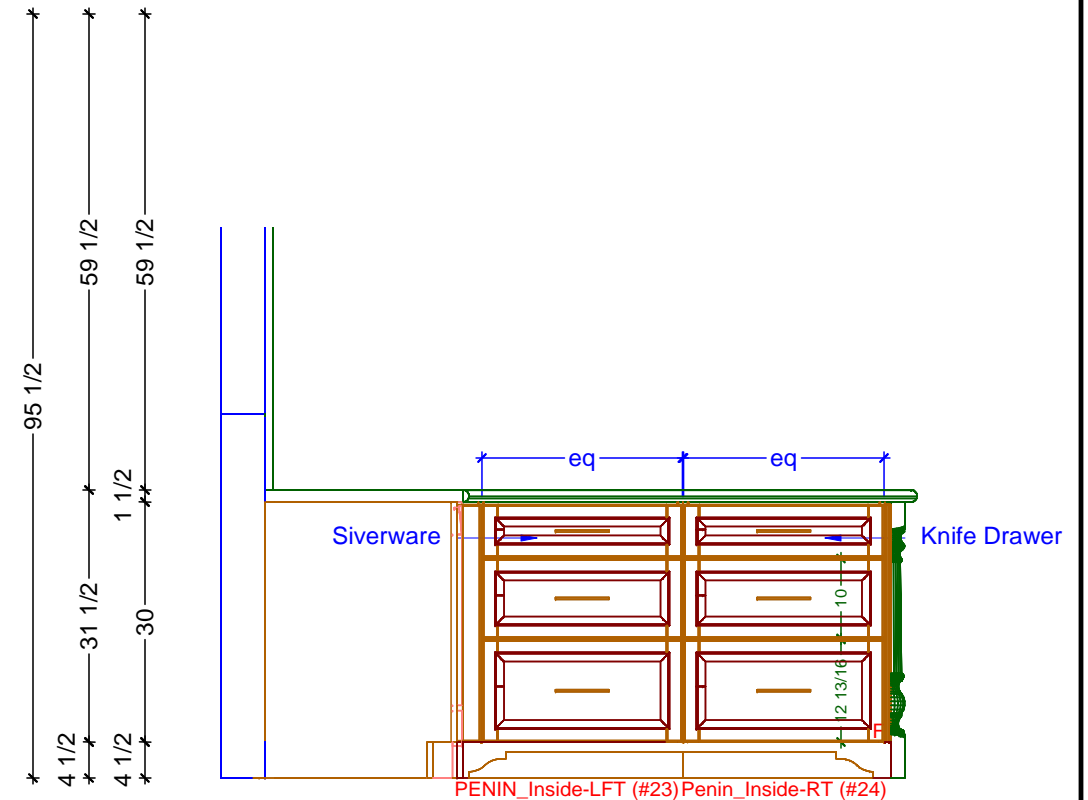




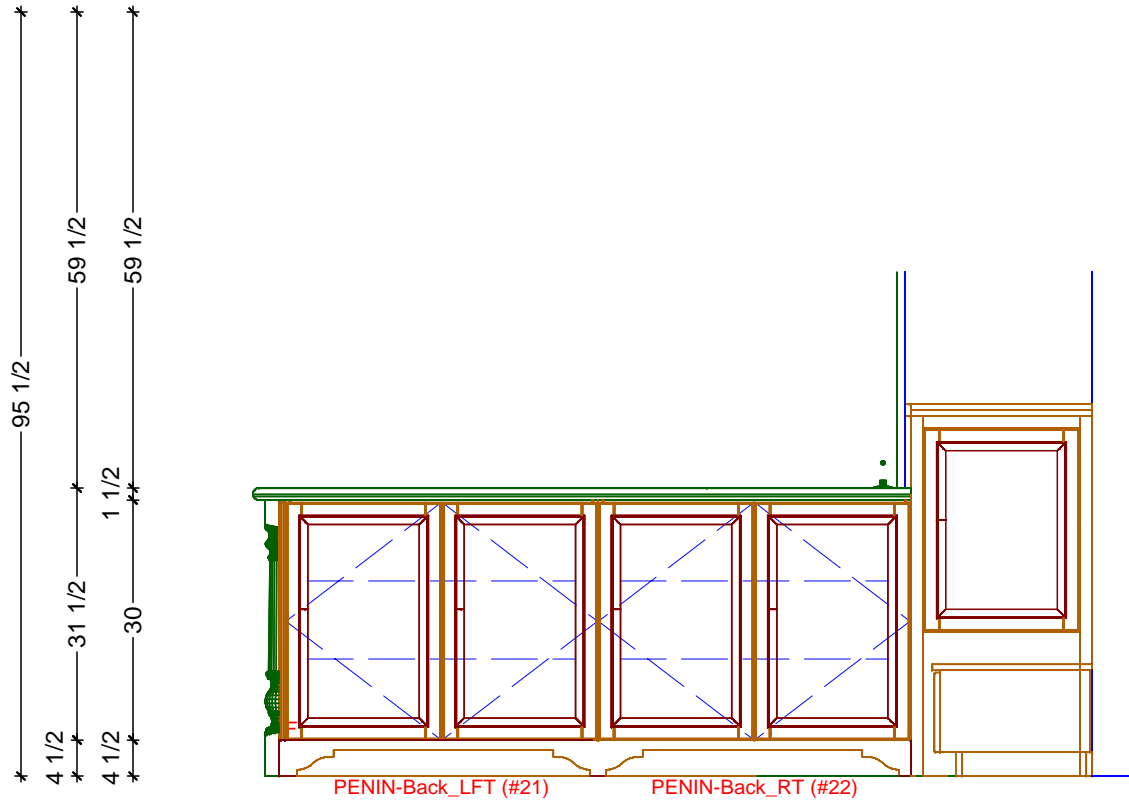
1 KITCHEN ELEVATION - RANGE RUN
SCALE: 1/2" = 1' 0"



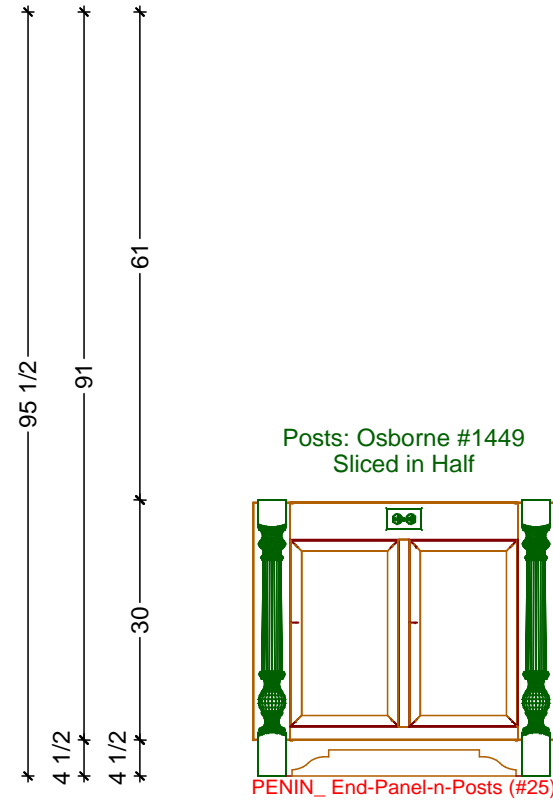
1 KITCHEN ELEVATION - SINK RUN
SCALE: 1/2" = 1' 0"



2 KITCHEN ELEVATION - INNER PENINSULA
SCALE: 1/2" = 1' 0"

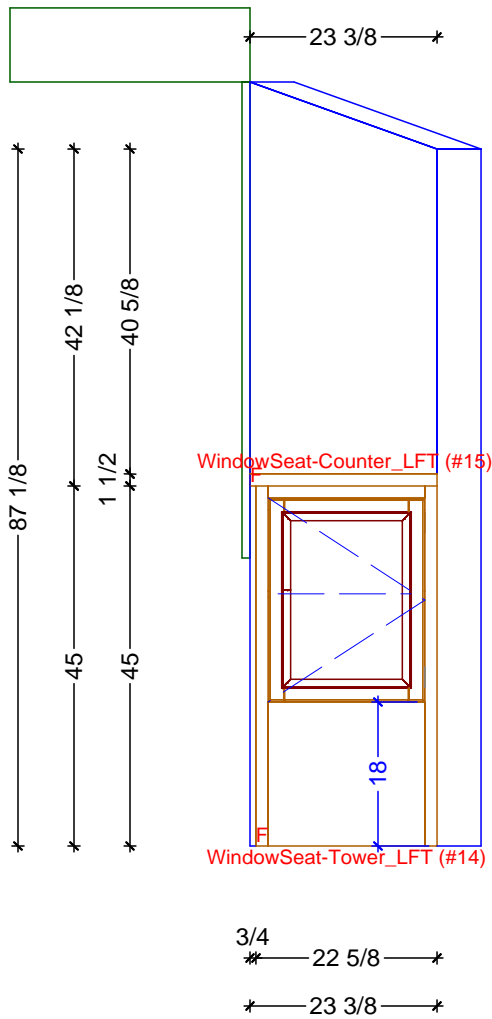


1 KITCHEN ELEVATION - OUTER PENINSULA
SCALE: 1/2" = 1' 0"



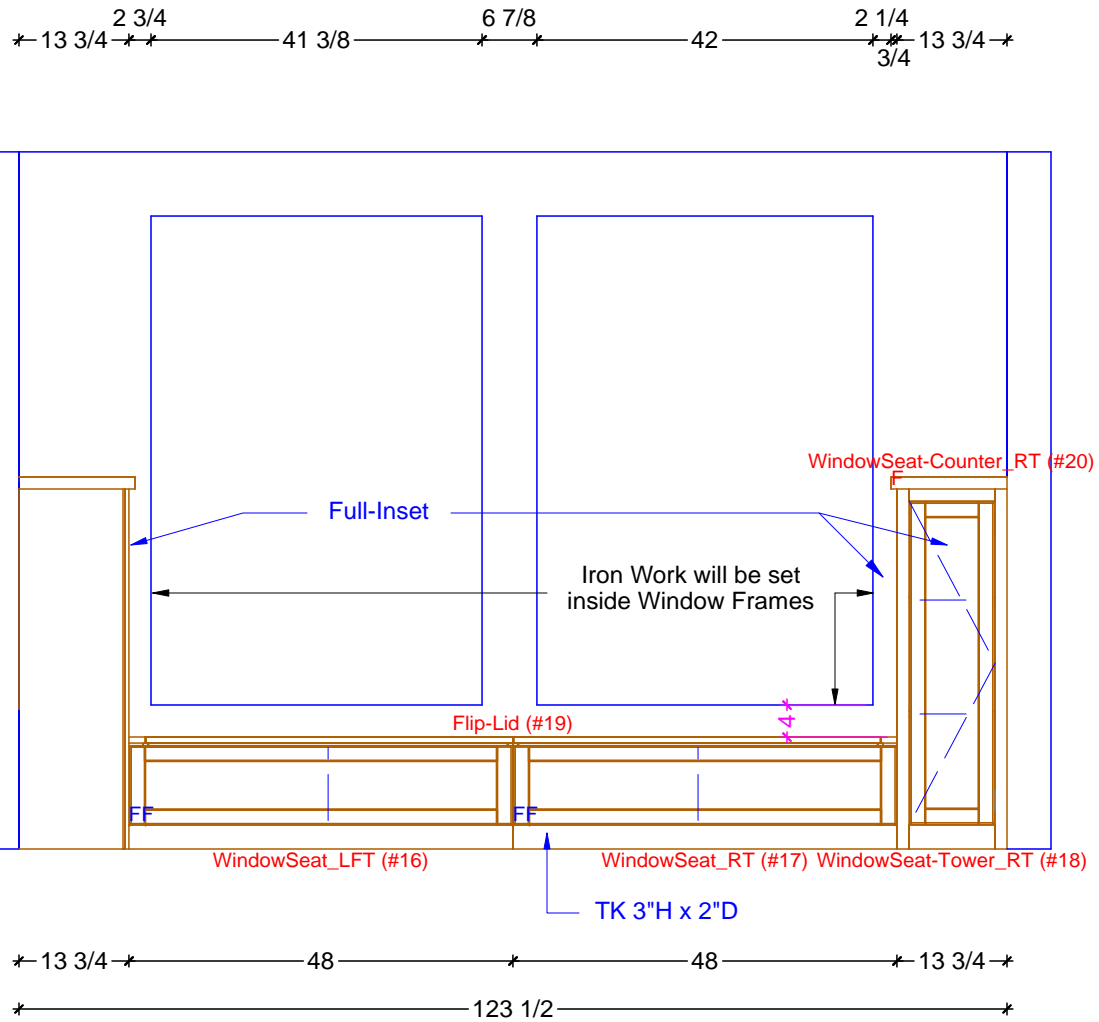
2 KITCHEN ELEVATION - PENINSULA END
SCALE: 1/2" = 1' 0"





1

KITCHEN ELEVATION - WINDOW TOWER-LEFT
SCALE: 1/2" = 1' 0"



2

KITCHEN ELEVATION - WINDOW SEAT
SCALE: 1/2" = 1' 0"





Classic Bath Designs, Inc.
 11544 Sheldon St., Sun Valley, CA 91352
 818.767.1144 fax: 818.767.1278



Cust: Ed Dorini for Kaitz

Approved _____

PO# KITCHEN

Job: FL-S_PreFIN/PG:perSample_IntEB:PreFIN

Scale: As Noted

Size: L

Dr By: Brian

12/13/2016

Rndr



Classic Bath Designs, Inc.
 11544 Sheldon St., Sun Valley, CA 91352
 818.767.1144 fax: 818.767.1278



Cust: Ed Dorini for Kaitz

Approved _____

PO# KITCHEN

Job: FL-S_PreFIN/PG:perSample_IntEB:PreFIN

Scale: As Noted

Size: L

Dr By: Brian

12/13/2016

Rndr



Classic Bath Designs, Inc.
 11544 Sheldon St., Sun Valley, CA 91352
 818.767.1144 fax: 818.767.1278



Cust: Ed Dorini for Kaitz

PO# KITCHEN

Scale: As Noted

Approved _____

Job: FL-S_PreFIN/PG:perSample_IntEB:PreFIN

Size: L

Dr By: Brian

12/13/2016

Rndr