



Features

- ◆ **Lighting:** Lighting uses 50 Watt Halogen Spots (PAR20). SD4-12—Two 75 Watt Incandescent (Bulbs NOT Included)
- ◆ **Heat Sensor:** Fire Safety Thermostat with Automatic turn ON when temp. reaches 130 degrees.
- ◆ **Filters:** Stainless Steel Baffle Filters.
- ◆ ***Flange:** Trim pieces available for an additional charge.
- ◆ **Custom:** Custom sizes available. Call with exact dimensions for pricing and delivery time.
- ◆ **Optional Modified Wiring:** Wiring for “remote” switch placement. Includes switches & knobs.

Specifications

- ◆ **Power:** Flame Retardant Centrifugal Blowers. 530 to 1320 CFM.
- ◆ **Electrical:** 115 AC, 60 Hz, 9 Amps. Suggested use with 15 Amp circuit.
- ◆ **Stainless:** Complete **Stainless Steel** Construction for Durability and Fire Safety.
- ◆ **Distance Codes:** Check local city, county and cooking appliance specifications. UL tested at 36” above cooking surface.
- ◆ **Installation:** Simple, Stress Free, One Piece Installation with “**Automatic Seal Vent Collar**”.

Warranty

- ◆ **Warranty: 7 Year, In-Home—Parts & Labor. (Best in the Industry!)**
- ◆ No “Performance” Warranty when used above BBQ Style Grills, may not be satisfactory in all situations. Call to discuss.

MODELS	POWER CFM	MOTOR TYPE	CONTROLS	SONES LOW - HI	DEPTH Front to Back	DUCT	LIGHTING	SIZES
C2000PSB	635	Dual Blowers	Variable	1.5 - 4.6	22 1/8”	Single 7”	Front Panel	30”, 36”, 42”, 48”
C2000PSB-8	745	Dual Blowers	Variable	1.5 - 4.6	22 1/8”	Single 8”	Front Panel	30”, 36”, 42”, 48”
C2000PSB-K	975	Dual Blowers	Variable	1.5 - 4.6	22 1/8”	Single 10”	Front Panel	30”, 36”, 42”, 48”
C2000PS1-TWB	1100	Twin Blowers	Variable	1.5 - 4.6	22 1/8”	Two 7”	Front Panel	36” to 60”
C2000PS1-TWB-8	1320	Twin Blowers	Variable	1.5 - 4.6	22 1/8”	Two 8”	Front Panel	36” to 60”
C2000BP1B	530	Single Blower	Variable	1.5 - 4.6	18 1/8”	Single 7” ^{Offset}	Front Panel	30”, 36”, 42”
C2000BPB	625	Dual Blower	Variable	1.5 - 4.6	18 1/8”	Single 7”	Front Panel	30”, 36”, 42”, 48”
C2000BPB-8	750	Dual Blower	Variable	1.5 - 4.6	18 1/8”	Single 8”	Front Panel	30”, 36”, 42”, 48”
C2000BPB-K	935	Dual Blower	Variable	1.5 - 4.6	18 1/8”	Single 10”	Front Panel	30”, 36”, 42”, 48”
C2000BP1-TWB	1065	Twin Blower	Variable	1.5 - 4.6	18 1/8”	Two 7”	Front Panel	36” to 60”
C2000BP1-TWB-8	1275	Twin Blower	Variable	1.5 - 4.6	18 1/8”	Two 8”	Front Panel	36” to 60”

***Flange—Custom fit your liner with standard 3/4” flanges. Other sizes available. Call for a quote.**



Ventilator Insert, With Baffles, Specifications

NOTE

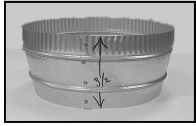
Example: C2000PSB-8

Vent size 8" round by 3-1/2" high.
Increase CFM by 20% with 8" vent transition.

Example: C2000PSB-K

Vent size 10" round by 7" high.
Increase CFM by 35% with 10" vent transition.

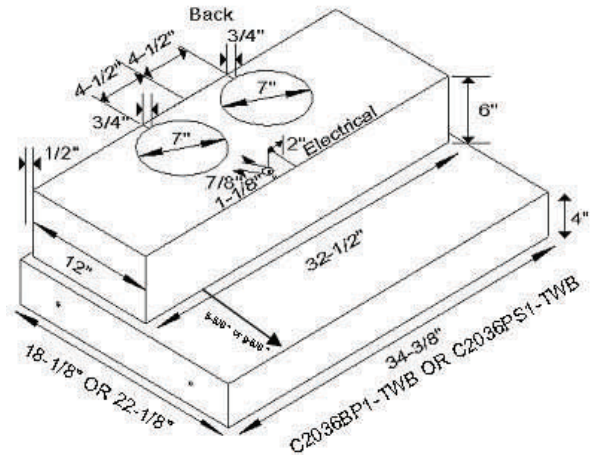
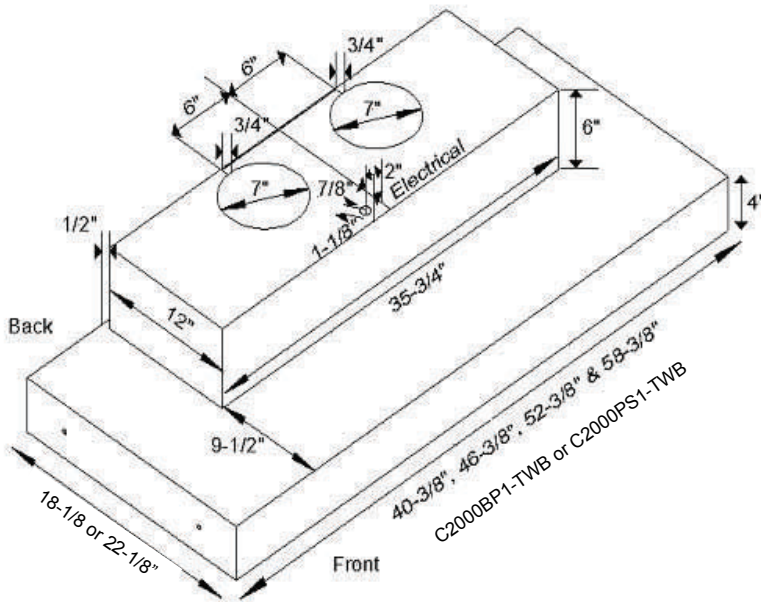
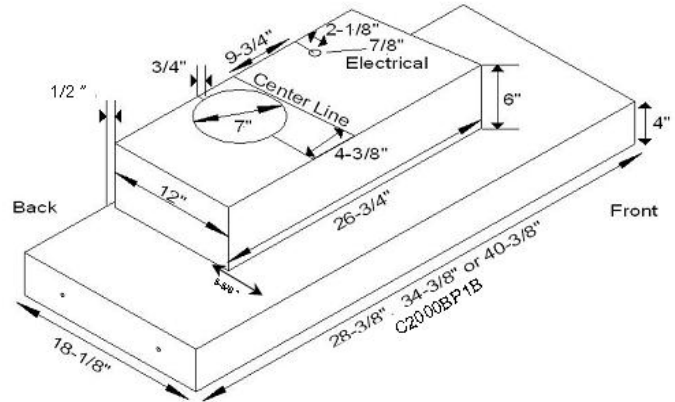
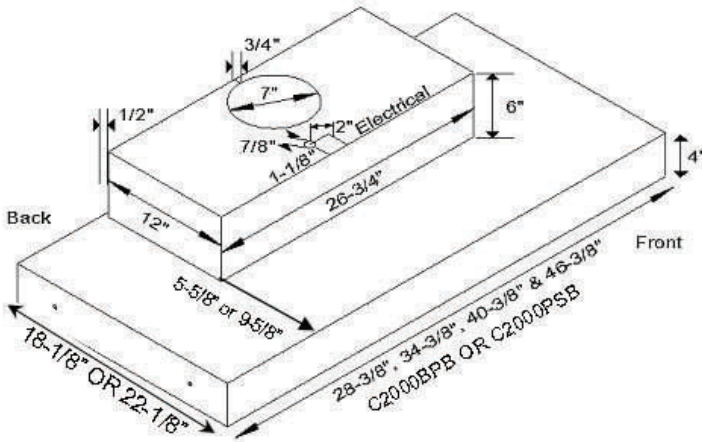
All other dimensions remain the same.



8" Transition
8" Round x 3-1/2" high



10" Transition
10" Round x 7-1/2" high



3/4" Flange for perfect fit.



SEVEN YEAR, IN HOME, LIMITED WARRANTY, THE BEST IN THE INDUSTRY!

All dimensions are (+/-) 1/8" and are subject to change. Drawings are not to scale.