

CEB1590SS

GE Cafe™ 1.5 Cu. Ft. Countertop Convection/Microwave Oven

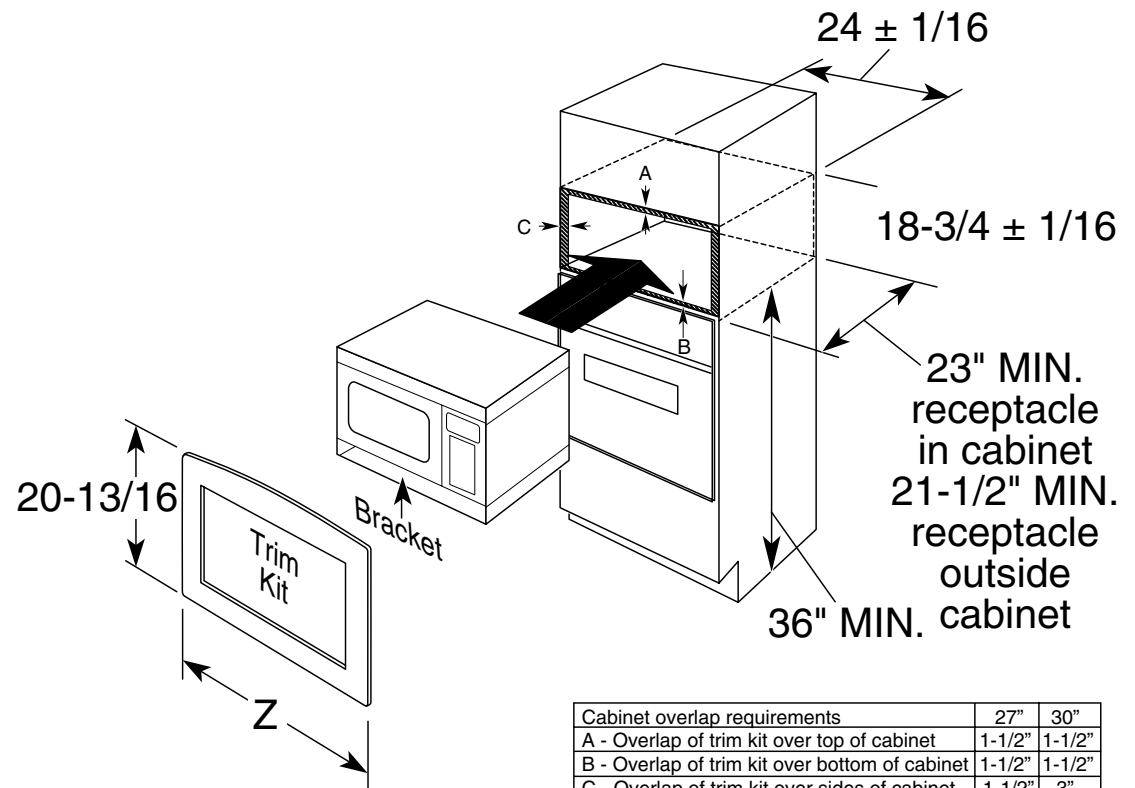
Dimensions and Installation Information (in inches)

Exterior Dimensions (in inches)	
W x H x D	22-5/8 x 14-7/8 x 19-7/8

Accessory trim kits	"Z"	Trim Kits	Max Height
30" Deluxe	29-3/4"	JX1530SMSS	21"
27" Deluxe	26-7/8"	JX1527SMSS	21"

Note: 120V, 60-cycle, grounded power receptacle location optional on back within cabinet opening.

Installation Information: This information is not intended to be used for installing unit described. Before installing, consult installation instructions packed with product/kit for current dimensional data.



Note:
Allow an additional inch of clearance beyond trim frame on all sides

For answers to your Monogram,® GE Profile™ or GE® appliance questions, visit our website at geappliances.com or call GE Answer Center® service, 800.626.2000.



imagination at work



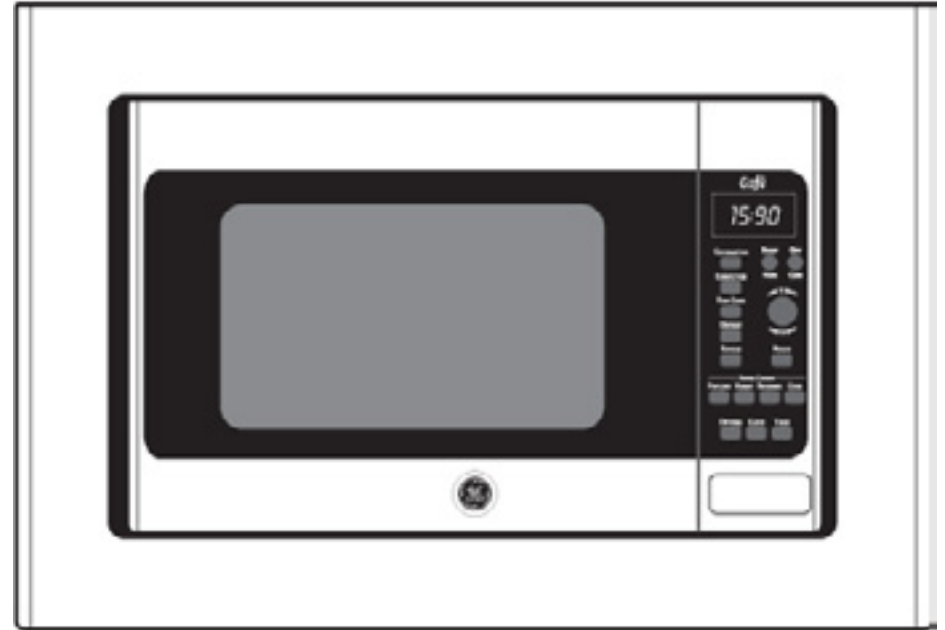
CEB1590SS

GE Cafe™ 1.5 Cu. Ft. Countertop Convection/Microwave Oven

Dimensions and Installation Information (in inches)

Features and Benefits

- 1.5 cu. ft. capacity - 1000 Watts (IEC-705 test procedure)
- Convection cooking - Choose this setting when baking or browning is desired
- Sensor cooking controls - Automatically adjusts time and power for delicious cooking results
- Easy-set control dial - Enjoy how simple the control dial makes setting the oven or selecting recipes
- Optional built-in trim kit - Achieve a custom appearance and built-in convenience with a sleek, matching trim kit
- Removable oven rack - Full-width cooking rack allows for multi-level cooking simultaneously, allowing you to cook large quantities of your family's favorites
- Recessed turntable - Maximizes oven space and flush design easily accommodates multiple dishes
- Model CEB1590SSSS - Stainless steel



For answers to your Monogram®, GE Profile™ or GE® appliance questions, visit our website at geappliances.com or call GE Answer Center® service, 800.626.2000.



imagination at work



Listed by
Underwriters
Laboratories