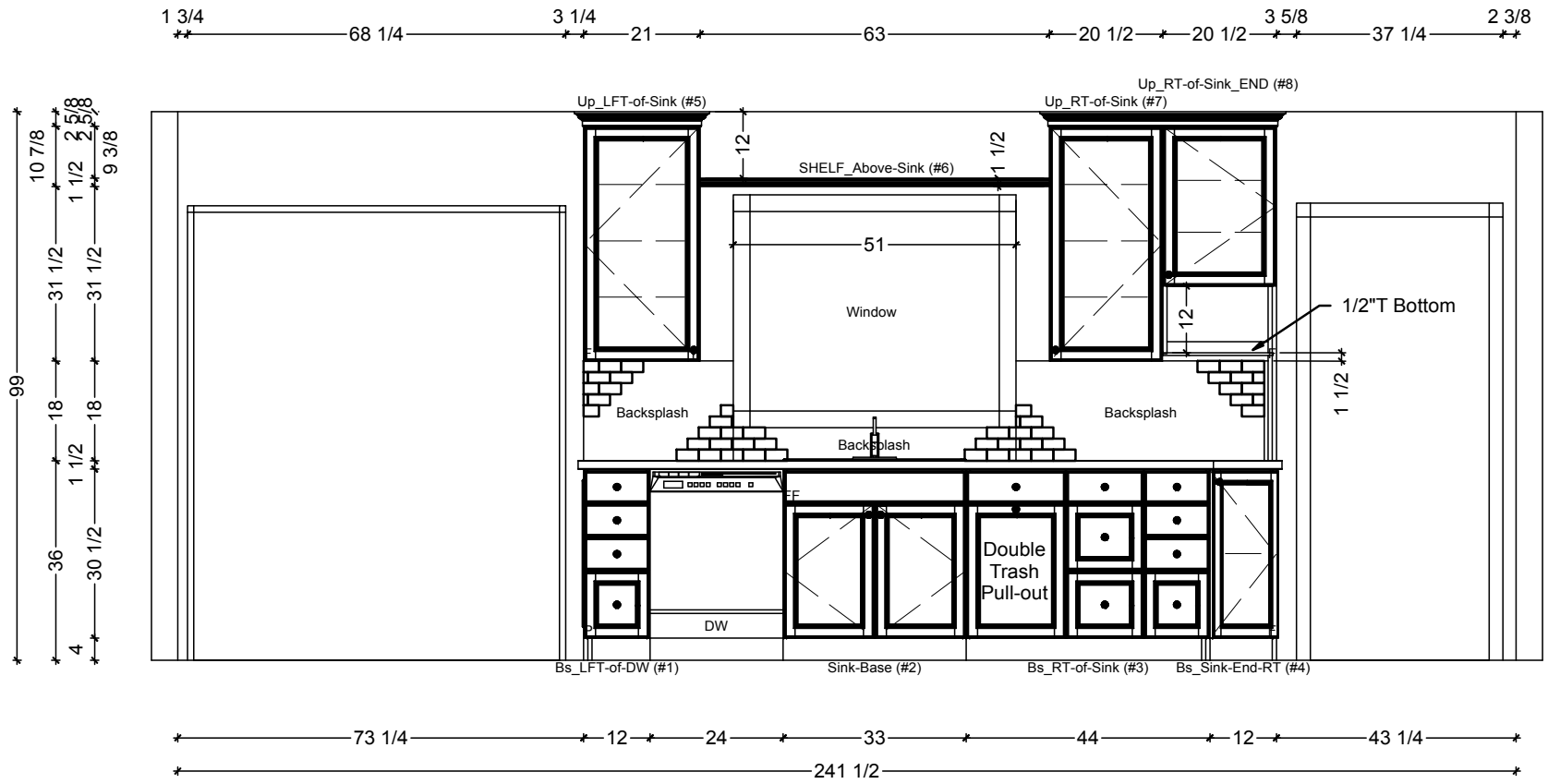

**KITCHEN CABINERY FLOOR PLAN**  
 SCALE: 3/8" = 1' 0"

**Classic Bath Designs, Inc.**  
 11544 Sheldon St., Sun Valley, CA 91352  
 818.767.1144 fax: 818.767.1278

Cust: Dorini for Merlo	PO# DWELLING	Scale: As Noted	KITCHEN	<b>K.0</b>
Approved _____	Job: FL-S_MeiWh/Pg-MDF-Panels:perSample_IntEB:MeiWh	Size: A	Dr By: Brian	

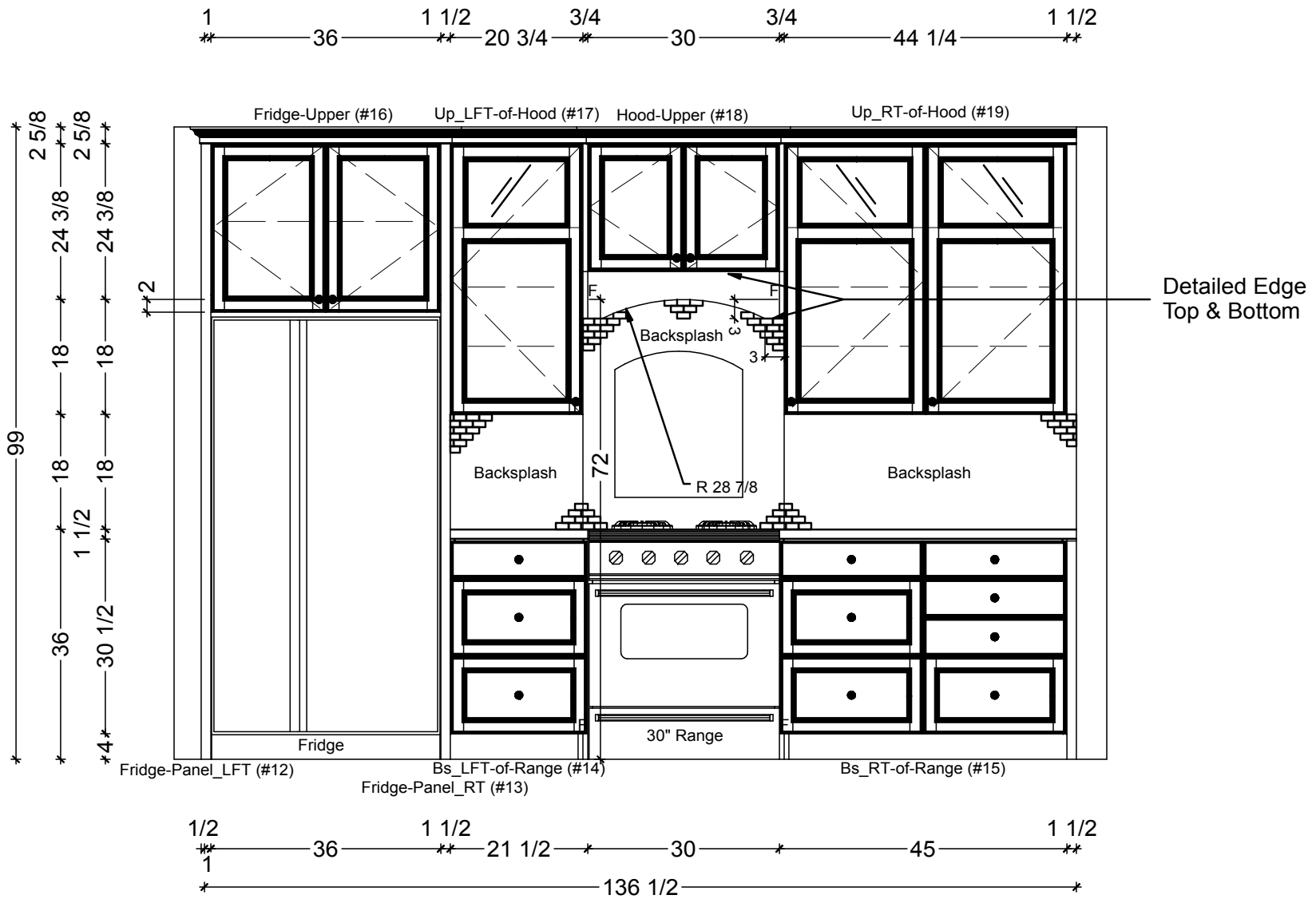


**1** KITCHEN ELEVATION - SINK WALL  
 SCALE: 3/8" = 1' 0"

**Classic Bath Designs, Inc.**  
 11544 Sheldon St., Sun Valley, CA 91352  
 818.767.1144 fax: 818.767.1278

Cust: Dorini for Merlo	PO# DWELLING	Scale: As Noted	KITCHEN	K.1
Approved _____	Job: FL-S_MeiWh/Pg-MDF-Panels:perSample_IntEB:MeiWh	Size: A	Dr By: Brian      03/15/2014	

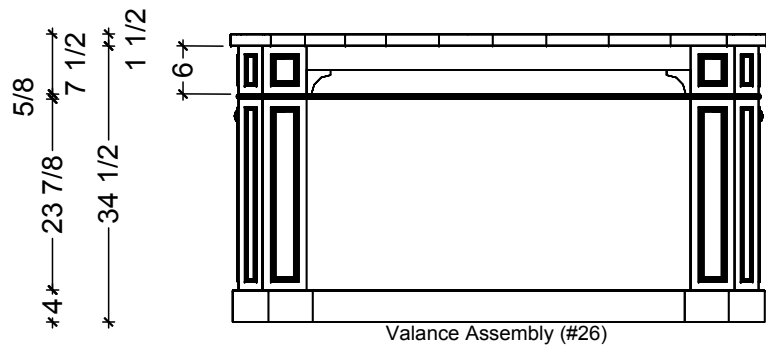




1 KITCHEN ELEVATION - RANGE WALL  
SCALE: 1/2" = 1' 0"

**Classic Bath Designs, Inc.**  
11544 Sheldon St., Sun Valley, CA 91352  
818.767.1144 fax: 818.767.1278

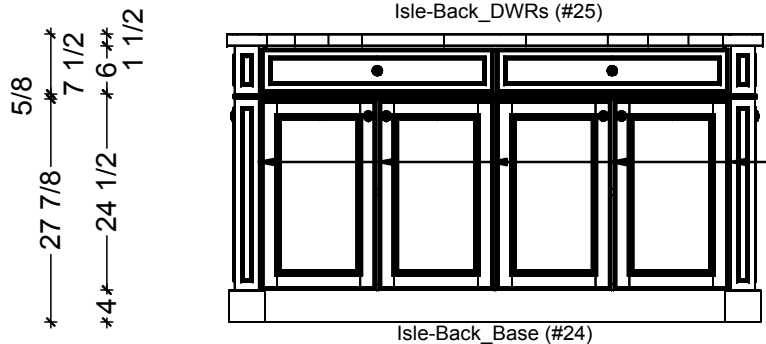
Cust: Dorini for Merlo	PO# DWELLING	Scale: As Noted	KITCHEN	K.3
Approved _____	Job: FL-S_MeiWh/Pg-MDF-Panels:perSample_IntEB:MeiWh	Size: A	Dr By: Brian 03/15/2014	



Valance Assembly (#26)

59

**1** KITCHEN ISLE - FRONT  
SCALE: 1/2" = 1' 0"



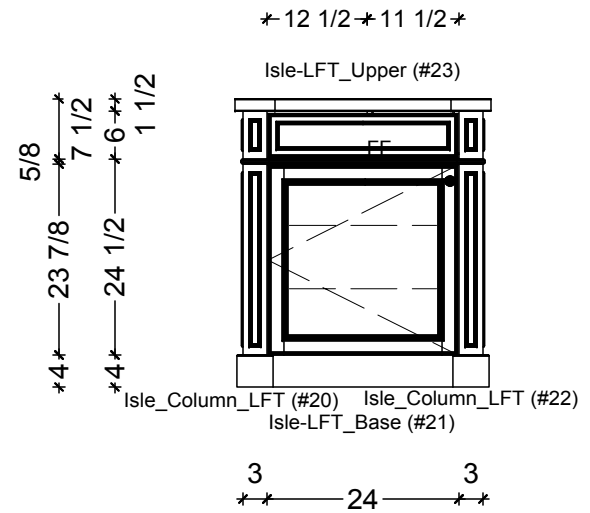
Isle-Back\_DWRs (#25)

Isle-Back\_Base (#24)

Special Reveals

5 1/2 48 5 1/2  
59

**3** KITCHEN ISLE - BACK  
SCALE: 1/2" = 1' 0"



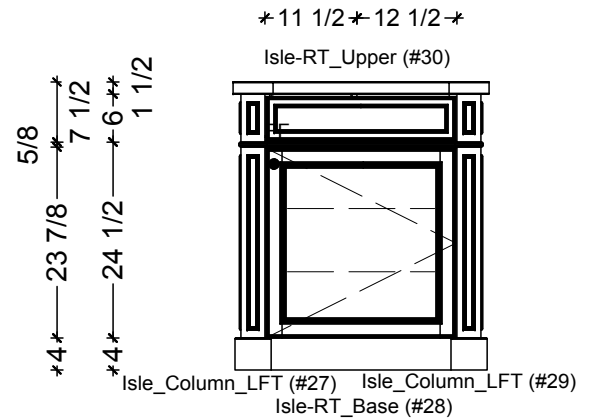
\* 12 1/2 \* 11 1/2 \*

Isle-LFT\_Upper (#23)

Isle\_Column\_LFT (#20) Isle\_Column\_LFT (#22)  
Isle-LFT\_Base (#21)

3 24 3

**2** KITCHEN ISLE - LEFT  
SCALE: 1/2" = 1' 0"



\* 11 1/2 \* 12 1/2 \*

Isle-RT\_Upper (#30)

Isle\_Column\_LFT (#27) Isle\_Column\_LFT (#29)  
Isle-RT\_Base (#28)

3 24 3

**4** KITCHEN ISLE - RIGHT  
SCALE: 1/2" = 1' 0"

**Classic Bath Designs, Inc.**  
11544 Sheldon St., Sun Valley, CA 91352  
818.767.1144 fax: 818.767.1278



Cust: Dorini for Merlo

PO# DWELLING

Scale: As Noted

KITCHEN

Approved \_\_\_\_\_

Job: FL-S\_MelWh/Pg-MDF-Panels:perSample\_IntEB:MelWh

Size: A

Dr By: Brian

03/15/2014

**K.4**



**Classic Bath Designs, Inc.**  
 11544 Sheldon St., Sun Valley, CA 91352  
 818.767.1144 fax: 818.767.1278



Cust: Dorini for Merlo	PO# DWELLING	Scale: As Noted	KITCHEN	Rndr
Approved _____	Job: FL-S_MeiWh/Pg-MDF-Panels:perSample_IntEB:MeiWh	Size: A	Dr By: Brian	



**Classic Bath Designs, Inc.**  
 11544 Sheldon St., Sun Valley, CA 91352  
 818.767.1144 fax: 818.767.1278



Cust: Dorini for Merlo	PO# DWELLING	Scale: As Noted	KITCHEN	Rndr
Approved _____	Job: FL-S_MelWh/Pg-MDF-Panels:perSample_IntEB:MelWh	Size: A	Dr By: Brian	



**Classic Bath Designs, Inc.**  
 11544 Sheldon St., Sun Valley, CA 91352  
 818.767.1144 fax: 818.767.1278



Cust: Dorini for Merlo	PO# DWELLING	Scale: As Noted	KITCHEN	<b>Rndr</b>
Approved _____	Job: FL-S_MelWh/PG-MDF-Panels:perSample_IntEB:MelWh	Size: A	Dr By: Brian	





**Classic Bath Designs, Inc.**  
 11544 Sheldon St., Sun Valley, CA 91352  
 818.767.1144 fax: 818.767.1278



Cust: Dorini for Merlo	PO# DWELLING	Scale: As Noted	KITCHEN	Rndr
Approved _____	Job: FL-S_MelWh/Pg-MDF-Panels:perSample_IntEB:MelWh	Size: A	Dr By: Brian	