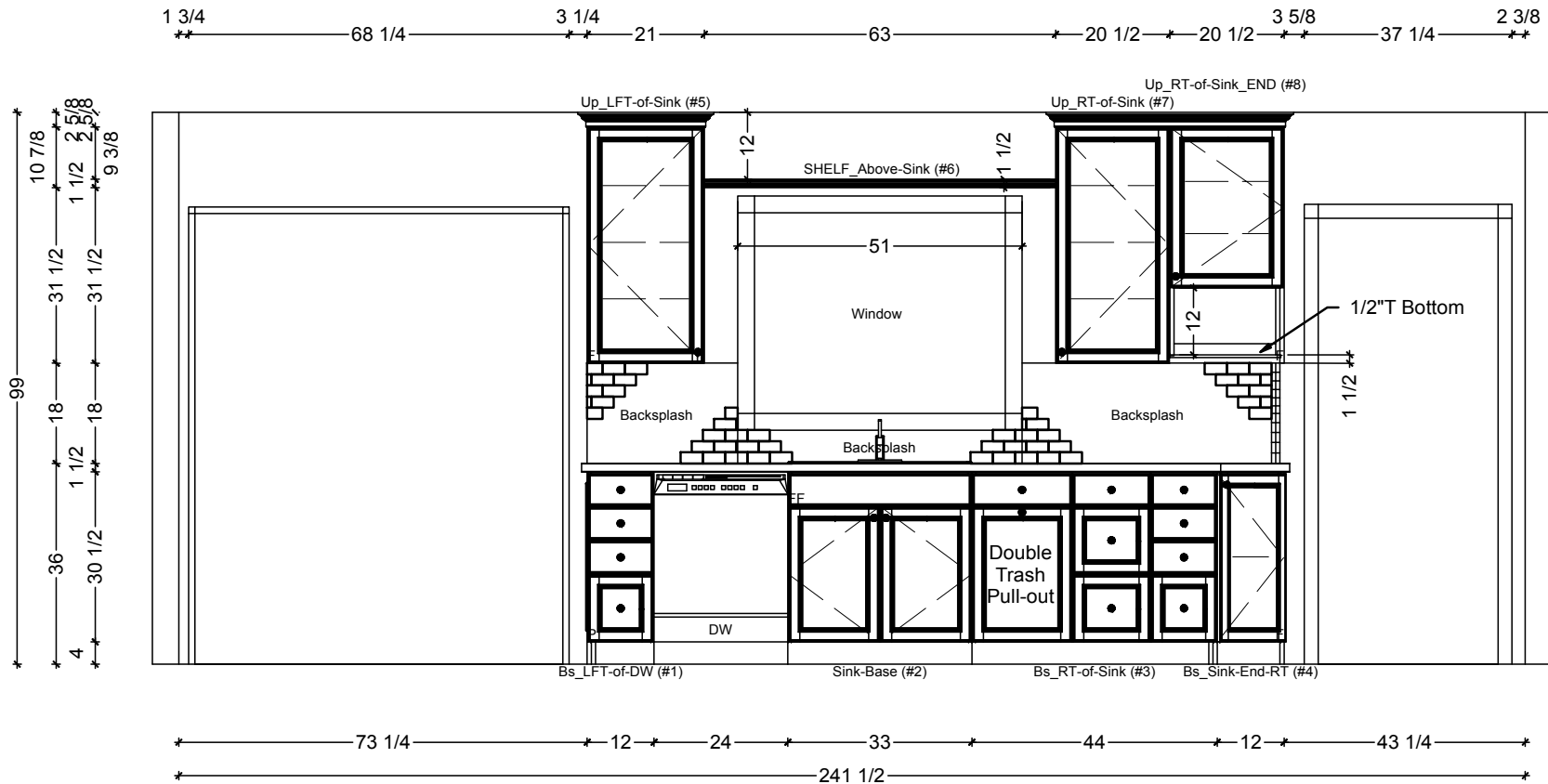
 **KITCHEN CABINERY FLOOR PLAN**
 SCALE: 3/8" = 1' 0"

Classic Bath Designs, Inc.
 11544 Sheldon St., Sun Valley, CA 91352
 818.767.1144 fax: 818.767.1278

Cust: Dorini for Merlo		PO# DWELLING	Scale: As Noted	KITCHEN	K.0
Approved _____	Job: FL-S_MeiWh/Pg-MDF-Panels:perSample_IntEB:MeiWh	Size: A	Dr By: Brian	03/19/2014	



1 KITCHEN ELEVATION - SINK WALL
SCALE: 3/8" = 1' 0"

Classic Bath Designs, Inc.
11544 Sheldon St., Sun Valley, CA 91352
818.767.1144 fax: 818.767.1278

Cust: Dorini for Merlo

PO# DWELLING

Scale: As Noted

KITCHEN

Approved _____

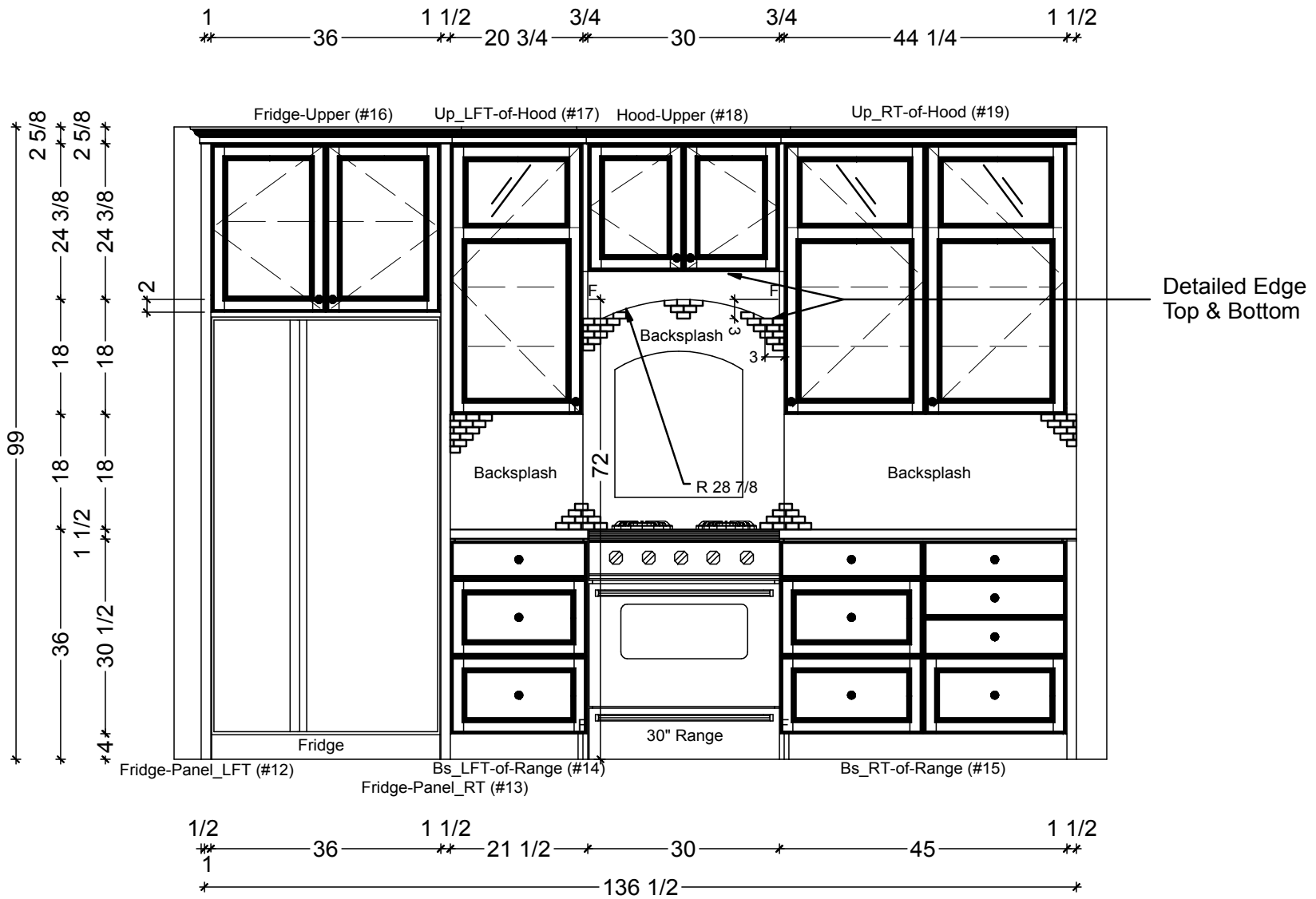
Job: FL-S_MeiWh/Pg-MDF-Panels:perSample_IntEB:MeiWh

Size: A

Dr By: Brian

03/19/2014

K.1



1 KITCHEN ELEVATION - RANGE WALL
SCALE: 1/2" = 1' 0"

Classic Bath Designs, Inc.
 11544 Sheldon St., Sun Valley, CA 91352
 818.767.1144 fax: 818.767.1278

Cust: Dorini for Merlo

PO# DWELLING

Scale: As Noted

KITCHEN

Approved _____

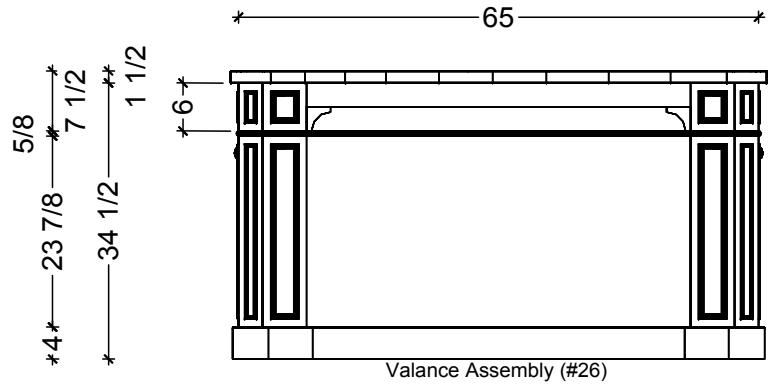
Job: FL-S_MeiWh/Pg-MDF-Panels:perSample_IntEB:MeiWh

Size: A

Dr By: Brian

03/19/2014

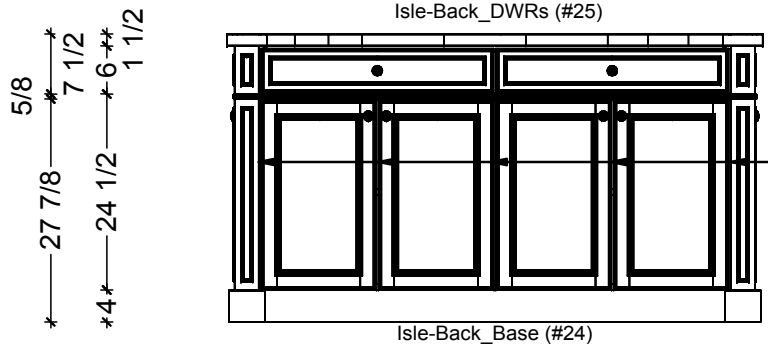
K.3



Valance Assembly (#26)



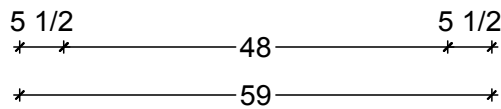
1 KITCHEN ISLE - FRONT
SCALE: 1/2" = 1' 0"



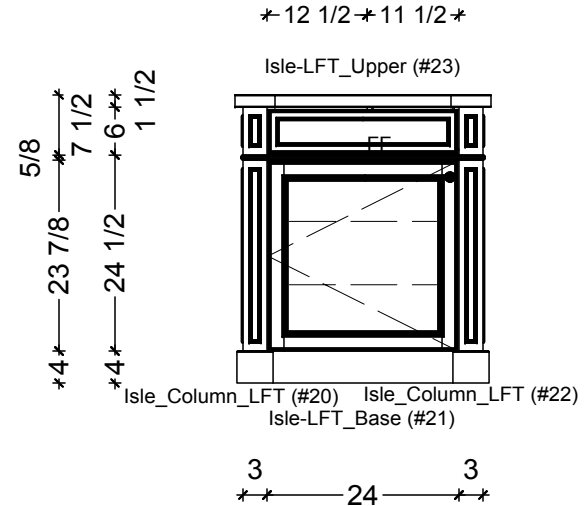
Isle-Back_DWRs (#25)

Isle-Back_Base (#24)

Special Reveals



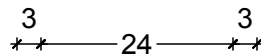
3 KITCHEN ISLE - BACK
SCALE: 1/2" = 1' 0"



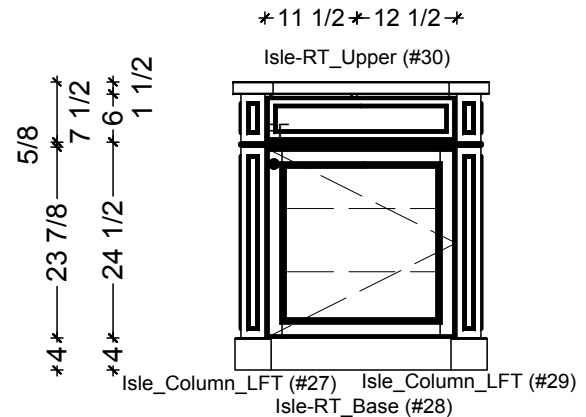
* 12 1/2 * 11 1/2 *

Isle-LFT_Upper (#23)

Isle_Column_LFT (#20) Isle_Column_LFT (#22)
Isle-LFT_Base (#21)



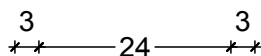
2 KITCHEN ISLE - LEFT
SCALE: 1/2" = 1' 0"



* 11 1/2 * 12 1/2 *

Isle-RT_Upper (#30)

Isle_Column_LFT (#27) Isle_Column_LFT (#29)
Isle-RT_Base (#28)



4 KITCHEN ISLE - RIGHT
SCALE: 1/2" = 1' 0"

Classic Bath Designs, Inc.
11544 Sheldon St., Sun Valley, CA 91352
818.767.1144 fax: 818.767.1278



Cust: Dorini for Merlo

PO# DWELLING

Scale: As Noted

KITCHEN

Approved _____

Job: FL-S_MelWh/Pg-MDF-Panels:perSample_IntEB:MelWh

Size: A

Dr By: Brian

03/19/2014

K.4



Classic Bath Designs, Inc.
 11544 Sheldon St., Sun Valley, CA 91352
 818.767.1144 fax: 818.767.1278



Cust: Dorini for Merlo	PO# DWELLING	Scale: As Noted	KITCHEN
Approved _____	Job: FL-S_MeiWh/Pg-MDF-Panels:perSample_IntEB:MeiWh	Size: A	Dr By: Brian 03/19/2014

Rndr



Classic Bath Designs, Inc.
 11544 Sheldon St., Sun Valley, CA 91352
 818.767.1144 fax: 818.767.1278



Cust: Dorini for Merlo	PO# DWELLING	Scale: As Noted	KITCHEN	Rndr
Approved _____	Job: FL-S_MelWh/Pg-MDF-Panels:perSample_IntEB:MelWh	Size: A	Dr By: Brian	



Classic Bath Designs, Inc.
 11544 Sheldon St., Sun Valley, CA 91352
 818.767.1144 fax: 818.767.1278



Cust: Dorini for Merlo	PO# DWELLING	Scale: As Noted	KITCHEN	Rndr
Approved _____	Job: FL-S_MelWh/PG-MDF-Panels:perSample_IntEB:MelWh	Size: A	Dr By: Brian	



Classic Bath Designs, Inc.
 11544 Sheldon St., Sun Valley, CA 91352
 818.767.1144 fax: 818.767.1278



Cust: Dorini for Merlo	PO# DWELLING	Scale: As Noted	KITCHEN
Approved _____	Job: FL-S_MelWh/Pg-MDF-Panels:perSample_IntEB:MelWh	Size: A	Dr By: Brian 03/19/2014

Rndr