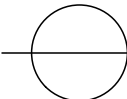
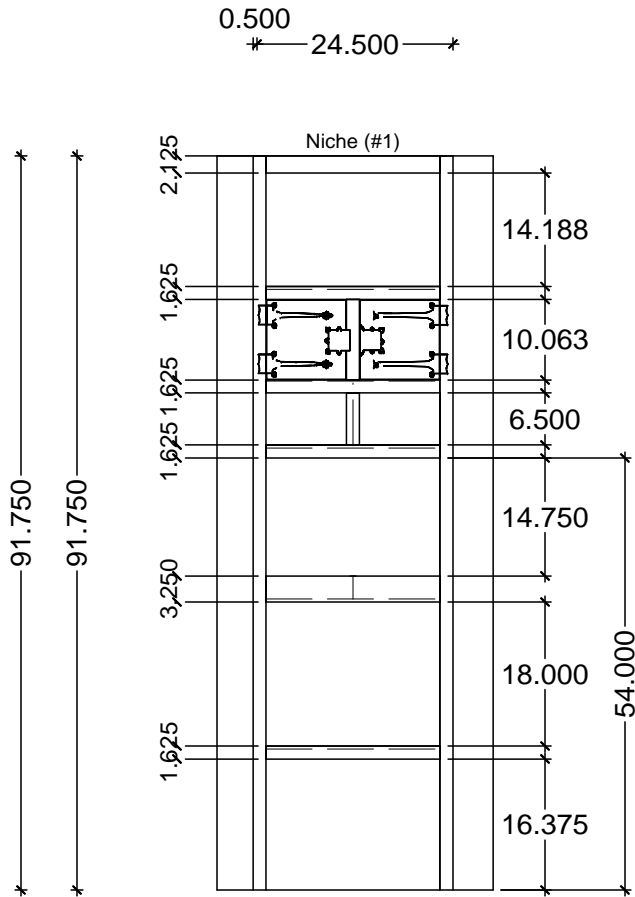


Picture provided displaying Intent


 NICHE CABINETRY FLOOR PLAN
 SCALE: 1/2" = 1' 0"

Classic Bath Designs, Inc.
 11544 Sheldon St., Sun Valley, CA 91352
 818.767.1144 fax: 818.767.1278

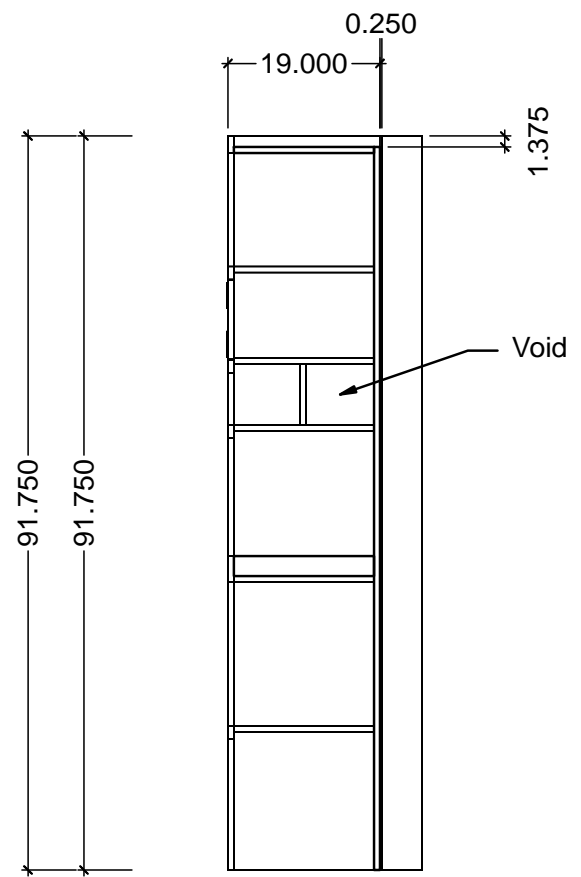
Cust: Dutton for Juarez	PO# SngFamDwelling	Scale: As Noted	NICHE	N.0
Approved _____	Job: FF-FI-FL_PG/PG:perSample_IntEB:PG	Size: A	Dr By: Brian 08/05/2013	



0.500
—24.500—

—24.500—
—25.000—

1 NICHE ELEVATION
SCALE: 1/2" = 1' 0"



A CROSS-SECTIONAL DETAIL
SCALE: 1/2" = 1' 0"

Classic Bath Designs, Inc.
11544 Sheldon St., Sun Valley, CA 91352
818.767.1144 fax: 818.767.1278



Cust: Dutton for Juarez	PO# SngFamDwelling	Scale: As Noted	NICHE	N.1
Approved _____	Job: FF-FI-FL_PG/PG:perSample_IntEB:PG	Size: A	Dr By: Brian 08/05/2013	



Classic Bath Designs, Inc.
 11544 Sheldon St., Sun Valley, CA 91352
 818.767.1144 fax: 818.767.1278



Cust: Dutton for Juarez

PO# SngFamDwelling

Scale: As Noted

NICHE

Approved _____

Job: FF-FI-FL_PG/PG:perSample_IntEB:PG

Size: A

Dr By: Brian

08/05/2013

Rndr