


# Installation

## Before you Begin

### Trim Kits


	<b>CAUTION:</b>
	<ul style="list-style-type: none"><li>• Trim kits are designed for use only with the Thermador microwave oven models listed in Table 1.</li><li>• For safety, do not alter or modify any part of this kit or oven.</li><li>• Unit is heavy and requires at least two people to lift or move.</li></ul>

	Trim Kits	Microwave Ovens
30" Cabinet	MET30ES	MBES
	MET30EB	MBEB
27" Cabinet	MET27ES	MBES
	MET27EB	MBEB

Table 1: Trim kits for microwave ovens.

### Combination with Wall Ovens

Your microwave oven can be installed into a cabinet or wall by itself or above any of the following Thermador wall ovens: M271, M301, ME271, ME301, DE301FS, PO301, POD301.

	<b>WARNING:</b>
	To reduce the risk of fire and electric shock, install microwave at least 3/4" above designated oven.

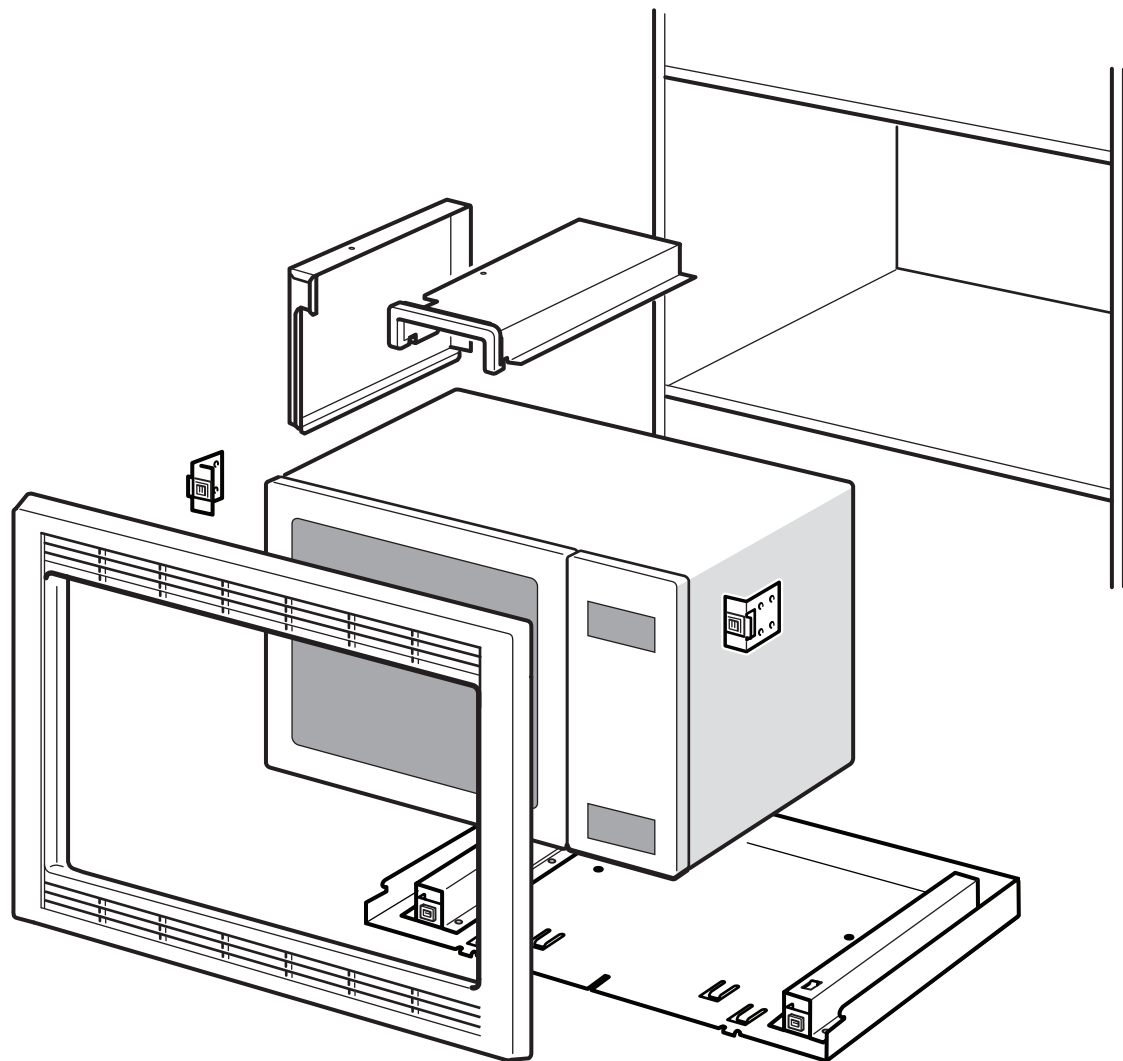
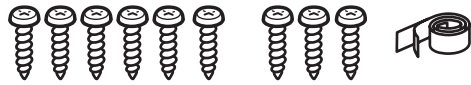
### Tools and Parts Needed

Phillips head screwdriver

Measuring tape

Drill with bits (1/16")

## Parts Included



Philips head screws (6)

Tapping screws (5)

Air duct

Adhesive tape

Fixing bracket (2)

Baseplate

Faceplate

## Power Requirements

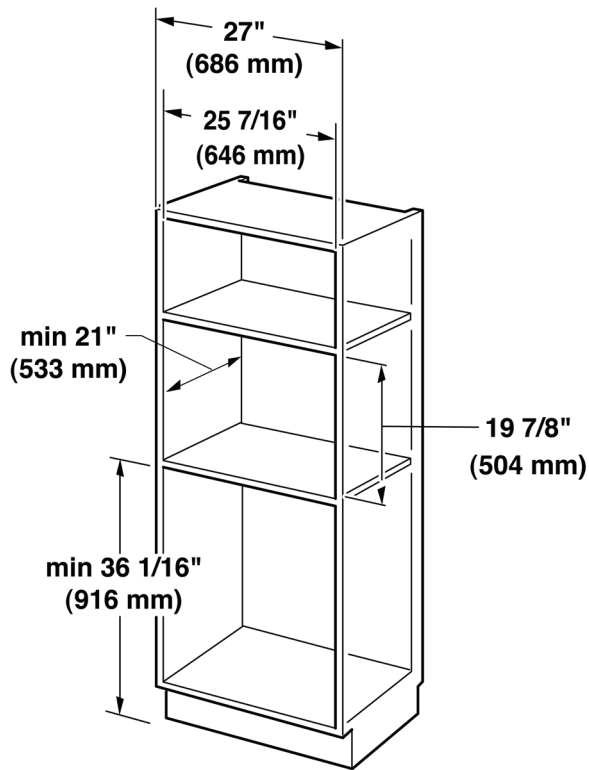
Electrical specifications: 120V, 18A, 60Hz.

The outlet must be properly grounded in accordance with all applicable codes. It can be installed in the backwall directly behind the oven.

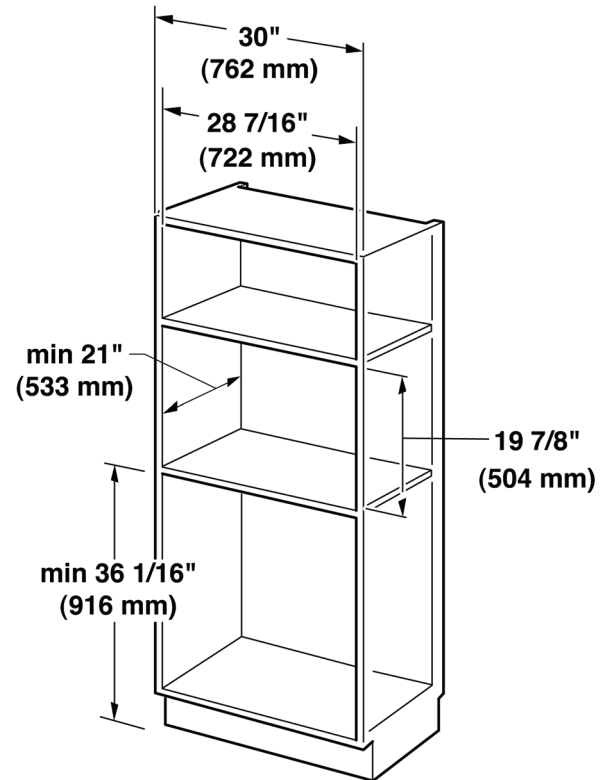
# Cabinet Cutout Dimensions

Instructions are based on standard American cabinets.

## 27" Appliances



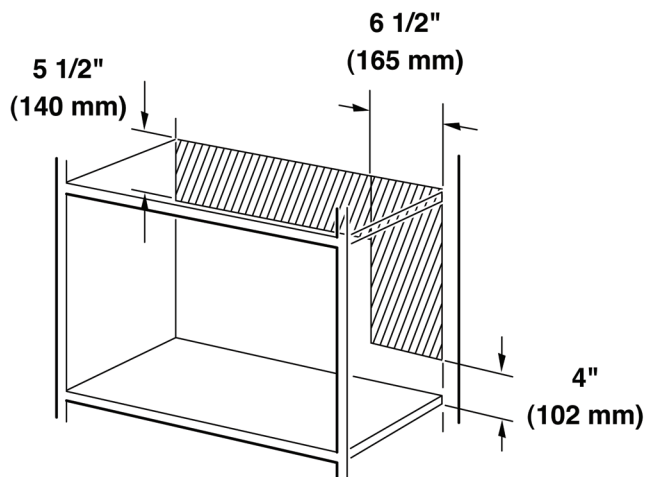
## 30" Appliances



# Outlet Area

The outlet can be located anywhere within the shaded area.

## 27" Appliances



## 30" Appliances

