

# DISHWASHERS

## PLANNING INFORMATION

### FULLY FLUSH CUSTOM PANEL DISHWASHERS

#### FULLY FLUSH LOOK

Thermador custom panel dishwashers are the only dishwashers available that install fully flush for a seamless, integrated look.

DEPTH BY BRAND*	
21 5/8"	Thermador
22 7/16"	Miele
22 7/8"	Asko
22 7/8"	Dacor
23 7/8"	Viking
24 1/2"	Jenn-Air
24 3/4"	GE Monogram

### WHAT TO CONSIDER WHEN INSTALLING A CUSTOM PANEL DISHWASHER

Thermador Dishwashers are designed to offer the ultimate in design flexibility and the ability to be installed in a variety of configurations.

#### DWHD440MPR

- Minimum opening height: 33 7/8" (860 mm)
- Minimum opening width: 24" (610 mm) or 23 5/8" (600 mm) wide with decor strips removed

#### DWHD640JPR AND DWHD650JPR

- Minimum opening height: 34 1/16" (865 mm)
- Minimum opening width: 24" (610 mm) or 23 5/8" (600 mm) wide with decor strips removed

#### DWHD651JPR

- Minimum opening height: 34 1/8" (867 mm)
- Minimum opening width: 24" (610 mm) or 23 5/8" (600 mm) wide with decor strips removed

\*Installation dimensions considering 3/4" custom door panel. Information from retailers website as of January 2011.

## MODEL OPTIONS

There are four Thermador Dishwasher Series to choose from in the Collection—Emerald® (4-program), Topaz™ (6-program), Sapphire® (6-program) and Star-Sapphire™ (6-program). All series models are available with a Masterpiece® or Professional Handle to perfectly match other Thermador appliances in your kitchen. All series have a custom panel option to fully integrate with your cabinetry. Be sure to reference the correct model information in this design guide.

## INSTALLATION CONSIDERATIONS

The information in this design guide provides key features, product dimensions, cutouts and installation specifications. Before installing a Thermador Dishwasher, be sure to verify the cabinet dimensions, electrical connections and water connections. Also, always consult with the installation manual packed with the product for complete details before installing.

Thermador Dishwashers are designed to be enclosed on the top and both sides by standard residential kitchen cabinetry.

For Emerald the opening should be at least 34" high and 24" wide (or 23 5/8" wide with decor strips removed).

For Topaz, Sapphire and Star-Sapphire the opening should be at least 34 1/16" high and 24" wide. (or 23 5/8" wide with decor strips removed).

If the dishwasher is to be installed in a corner, make sure that there is adequate clearance to open the door.

Select a location as close to the sink as possible for easy access to water supply and drain lines.

**NOTE:** Plumbing installations will vary—refer to local codes. The maximum length of the drain hose, including hose leading to air gap (if any) is 150" (381 cm). Ensure a portion of the drain hose is raised at least 20" (51 cm) above the floor to ensure proper draining.



## WARRANTY

Full warranty, entire appliance, parts and labor (2 year)

See page 302 for additional warranty details.



Dishwashers are UL and CUL approved.

## ELECTRICAL SPECIFICATIONS

This appliance must be grounded to a metal, permanent wiring system, or an equipment grounding conductor must be run with the circuit conductors and connected to the equipment grounding terminal or lead on the dishwasher.

MODEL	REQUIRED CIRCUIT BREAKER
<b>EMERALD®</b>	
DWHD440MFP	120V, 60 Hz, 12 Amp
DWHD440MFM	120V, 60 Hz, 12 Amp
DWHD440MPR	120V, 60 Hz, 12 Amp
<b>TOPAZ™</b>	
DWHD640JFP	120V, 60 Hz, 12 Amp
DWHD640JFM	120V, 60 Hz, 12 Amp
DWHD640JPR	120V, 60 Hz, 12 Amp
<b>SAPPHIRE®</b>	
DWHD650JFP	120V, 60 Hz, 12 Amp
DWHD650JFM	120V, 60 Hz, 12 Amp
DWHD650JPR	120V, 60 Hz, 12 Amp
<b>STAR-SAPPHIRE™</b>	
DWHD651JFP	120V, 60 Hz, 12 Amp
DWHD651JFM	120V, 60 Hz, 12 Amp
DWHD651JPR	120V, 60 Hz, 12 Amp

## WATER AND ELECTRICAL LOCATIONS

Refer to individual model pages for details on water hook-up and electrical locations.



All Thermador Dishwashers are ENERGY STAR® Qualified

# DISHWASHERS STAR-SAPPHIRE™ 6-PROGRAM

DWHD651JFP / DWHD651JFM / DWHD651JPR



## PROFESSIONAL HANDLE

DWHD651JFP

## MASTERPIECE HANDLE

DWHD651JFM

## CUSTOM PANEL

DWHD651JPR



For our current collection of Dishwashers refer to **Thermador Kitchen Ideas and Lookbook** iPad app available on the App Store or visit [thermador.com](http://thermador.com) or your local dealer for details.

## SPECIFICATIONS

Product Width	23 9/16"
Product Height	34 1/8"–36 1/2"
Product Depth	DWHD651JFP–22 7/16" DWHD651JFM–22 7/16" DWHD651JPR–21 5/8"
Door Clearance	27"
Cutout Width (Min.)	24"–24 1/4"
Cutout Height (Min.)	34 1/16"
Cutout Depth (Min.)	24"
Variable Height	2 3/8"
Sound Rating	44 dBA
Annual Energy Consumption	260 kWh
Electrical Supply	120V/60 Hz
Required Circuit Breaker	12 Amp
Power Cord with Junction Box	Included
Water Hose	Included (66 7/8")
Max. Temp. for Water Intake	140° F
Length Outlet Hose	55 1/8"
Shipping Weight (lbs.)	115



Contributes .5 points toward satisfying the high-efficiency appliances credit under LEED®

## DWHD651JFP / DWHD651JFM / DWHD651JPR

### INNOVATION

- ★ - Star Speed™ is a full wash cycle in just 20 minutes– Industry fastest
- ★ - Largest Wine Glass Capacity–18 large wine glasses
- ★ - Piezo Touch Control communicates slick design and performance
- ★ - Time Remaining PowerBeam® shines the actual remaining time of the cycle on the floor
- ★ - Sapphire Glow® Light illuminates with the sparkling blue light when the dishwasher is open
- ★ - Flexible 3rd Rack delivers added loading capacity as well as adjustability to accommodate larger or smaller items, wider ends and utensil handles
- ★ - Newly-engineered charcoal-grey Smooth Glide Racks glide effortlessly without jarring or sticking, delivering a more pleasing loading and unloading experience
- ★ - Flexible Folding Tines fold down to accommodate larger pots, pans, and dishes and add flexibility to hold items twice as wide as previous models and significantly wider than competitor

### PERFORMANCE

- Crystal Protect® system adjusts the water softness during the cycle for perfectly clear crystal, free of water spots
- PowerBoost® option increases temperature and pressure in the lower rack for the ultimate performance in heavy-duty cleaning
- Sens-A-Wash® ensures superior washing and drying guaranteed
- ExtraDry Option ensures perfectly dry dishes
- Hand Wash allows you to delicately wash fine dishes and glasses
- Accommodates 15 place settings for your dinner parties
- Powerfully Quiet®–44 dBA for peaceful kitchen experience
- ENERGY STAR® Qualified–uses only 260 kWh/year
- Dosage Assist optimizes break down of detergent tablets
- Extra-tall-item™ Sprinkler allows large items (22" high) to be washed without removing 3rd Rack

### DESIGN

- 18/10 high-grade stainless steel interior offers long-lasting reliability, never rusts and resists nicks and chips
- Silver painted toekick on stainless steel models

### DESIGN VERSATILITY—ONLY FROM THERMADOR

- ✓ Flat Stainless Steel Panel with Professional Handle
- ✓ Flat Stainless Steel Panel with Masterpiece® Handle
- ✓ Chiseled Stainless Steel Panel with Professional Handle
- ✓ Chiseled Stainless Steel Panel with Masterpiece Handle
- ✓ Custom Panel to Match Your Cabinetry

See page 291 for complete design details.

### ★ THERMADOR EXCLUSIVE

## ACCESSORIES

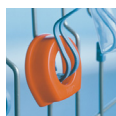


SMZ5000  
Accessory Kit  
Extra-tall-item  
Sprinkler, Vase/Bottle  
Holder, 3 Plastic Item  
Clips and Small Item  
Basket



SMZ5002UC  
Fine Silverware Carafe

SGZPC001UC  
Power Cord with Connectors



SGZ9091UC  
Dishwasher Softener Salt

DWHDZJCMD  
24" Stainless Steel Chiseled Door  
with Masterpiece Handle

SGZ1010UC  
Drainage Hose Extension

DWHDZJCPD  
24" Stainless Steel Chiseled Door  
with Pro Handle

# DISHWASHERS STAR-SAPPHIRE™ 6-PROGRAM

DWHD651JFP / DWHD651JFM / DWHD651JPR

## INSTALLATION OPTIONS

### CUSTOM DOOR PANELS (DWHD651JPR)

Fully integrated models allow you to have a custom door panel made to match your cabinetry. The custom door can be a two-piece configuration to look like a drawer at the top and a cabinet door at the bottom or like a single full-length door. A template is included with the fully integrated models to explain the mounting procedure.

**NOTE:** The door springs that are included with the fully integrated units will provide proper function for custom door panels weighing between 9 and 18 pounds. No tension adjustment screws are necessary.

## WATER AND ELECTRICAL LOCATIONS

For proper dishwasher operation and appearance, ensure that the enclosure is square and has the dimensions shown. Plumbing and electrical service must enter shaded area.

Make required openings to allow for passage of the water, drain and electrical line. In order to avoid interference with the dishwasher when sliding it into the cabinet, place your openings within the dimensions shown.

**NOTE:** If the incoming electric supply, water supply and drain connections are all in the same cabinet, the one 4 1/2" x 2 1/2" hole will be large enough for all three to pass through.

The dishwasher electrical supply junction box and dedicated receptacle must be mounted in an accessible cabinet adjacent to the dishwasher (do not mount the junction box or receptacle behind the dishwasher). You will need a 4 1/4" x 2" (108 x 51 mm) opening through the cabinet in order to pass the junction box through.

The electrical supply can be connected in one of two ways:

- Use the included 3-wire plug and junction box to connect to a dedicated household receptacle.
- Permanently connect to household or field wiring

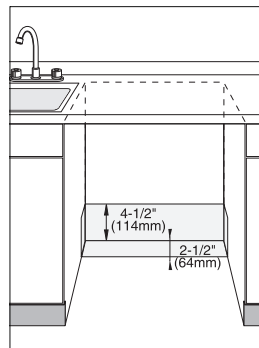
## WATER AND ELECTRICAL LOCATION DIMENSIONS

### STAR-SAPPHIRE SERIES REQUIRED OPENINGS:

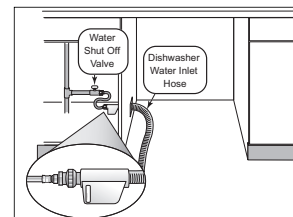
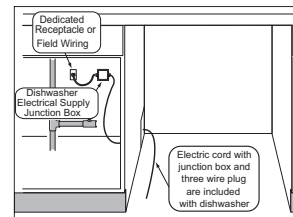
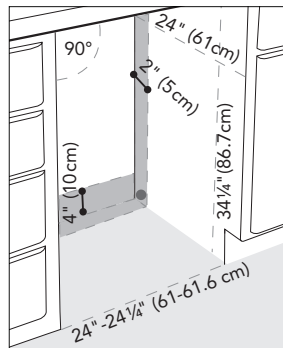
4 1/4" x 2" (108 x 52 mm) – To pass the included electrical supply junction box through to an adjacent cabinet

4" x 2" (100 x 50 mm) – To pass the included water supply line toward the water supply

1 1/4" (32 mm) diameter – To pass the dishwasher drain hose toward the drain connection

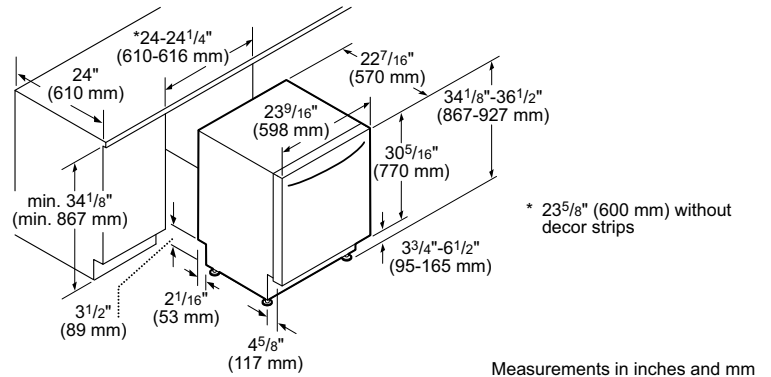


Electrical and Water Connection

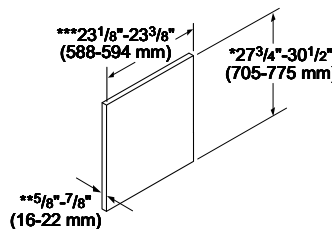
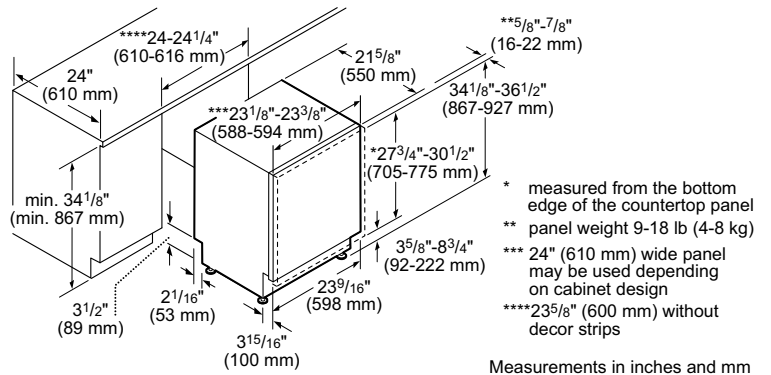


## DISHWASHER & CUTOUT DIMENSIONS

### DWHD651JFP / DWHD651JFM



### DWHD651JPR



- \* measured from the bottom edge of the countertop panel
- \*\* panel weight 9-18 lb (4-8 kg)
- \*\*\* 24" (610 mm) wide panel may be used depending on cabinet design

Measurements in inches and mm