

Enclosure Requirements

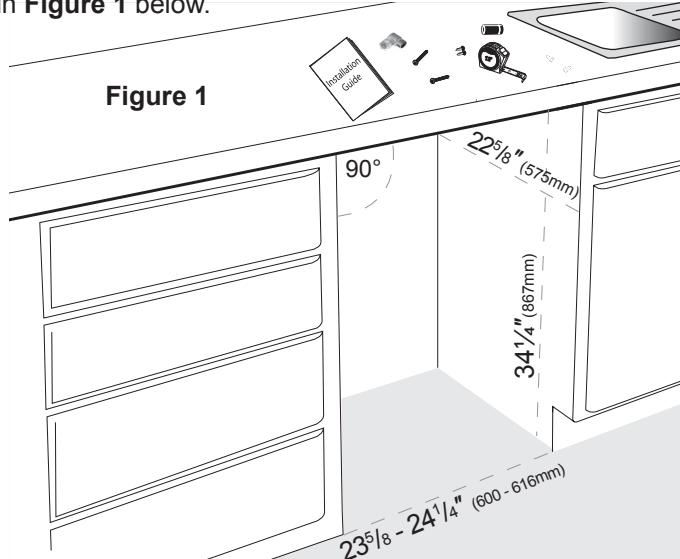
⚠ WARNING

Avoid Scalding or Electrical Shock Hazard!
Make sure the water supply and electrical supply are shut off before installation or service.

NOTE: This dishwasher is designed to be enclosed on the top and both sides by standard residential kitchen cabinetry.

Select a location as close to the sink as possible for easy access to water supply and drain lines.

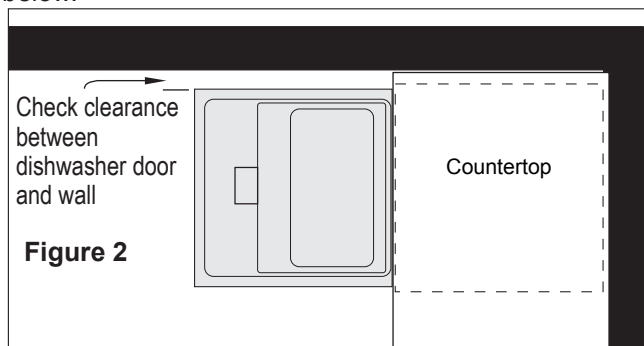
For proper dishwasher operation and appearance, ensure that the enclosure is square and has the dimensions shown in **Figure 1** below.



NOTE: If your dishwasher opening width measures >23⁵/₈" (600mm) use the TOP or SIDE MOUNT mounting methods.

If your dishwasher opening width measures 23⁵/₈" (600mm) use the ALTERNATE SIDE MOUNT mounting method.

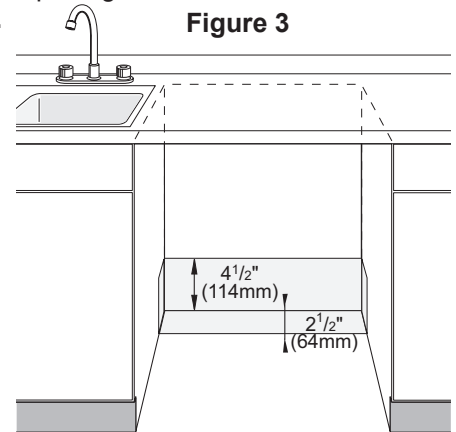
If the dishwasher is to be installed in a corner, make sure that there is adequate clearance to open the door. See **Figure 2** below.



⚠ WARNING

Avoid Electrical Shock/Fire Hazard
Do not allow the electrical and water supply lines to touch.

After locating the proper place for your new dishwasher, you will need to create any required openings to allow for passage of the water, drain and electrical line. In order to avoid interference with the dishwasher when sliding it into the cabinet, place your openings within the dimensions shown in **Figure 3** below.



Required Openings:

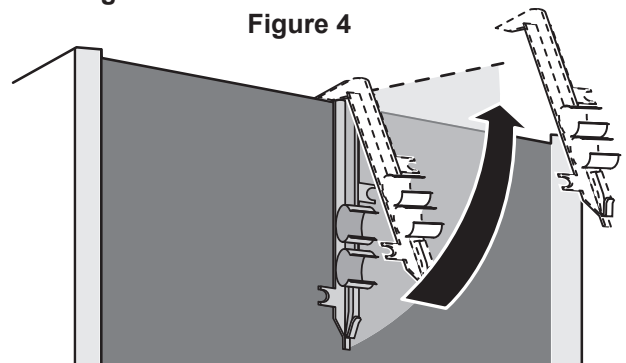
4³/₄" x 2³/₈" (120 x 60mm) - To pass the included electrical supply junction box through to adjacent cabinet.

Note: If the incoming electric supply, water supply and drain connections are all in the same cabinet, the one 4³/₄" x 2³/₈" (120 x 60mm) hole will be large enough for all three to pass through.

4" x 2" (100 x 50mm) - To pass the included water supply line toward the water supply

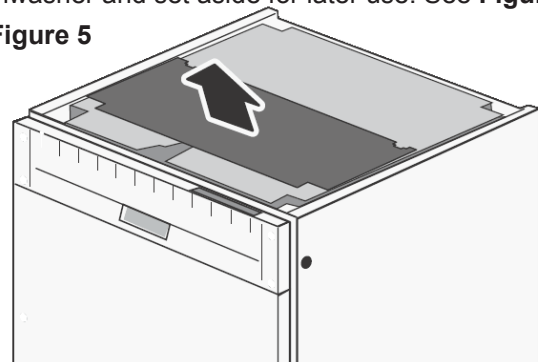
1¹/₄" (32mm) diameter - To pass the dishwasher drain hose toward the drain connection

Before sliding the dishwasher into the cabinet, remove the hose clip at the back of the dishwasher as shown in **Figure 4**. The hose clip may be used later to hold the drain hose as shown in **Figure 10**.



In select models, remove the rubber apron on top of the dishwasher and set aside for later use. See **Figure 5**.

Figure 5



Electrical Preparation

Electrical Preparation

⚠ WARNING

Avoid Electrical Shock Hazard

Do not work on an energized circuit. Doing so could result in serious injury or death. Only qualified electricians should perform electrical work. Do not attempt any work on the dishwasher electric supply circuit until you are certain the circuit is de-energized.

⚠ WARNING

Avoid Fire Hazard

Make sure electrical work is properly installed. Only qualified electricians should perform electrical work.

Electrical Supply

The customer has the responsibility of ensuring that the dishwasher electrical installation is in compliance with all national and local electrical codes and ordinances. The dishwasher is designed for an electrical supply of 120V, 60 Hz, AC, connected to a dishwasher-dedicated, properly grounded electrical circuit with a fuse or breaker rated for 15 amps. Electrical supply conductors shall be a minimum #14 AWG copper wire rated at 75°C (167°F) or higher.

⚠ WARNING

Avoid Fire Hazard

Make sure there are no loose electrical connections. Make sure all electrical connections are properly made.

Grounding Instructions

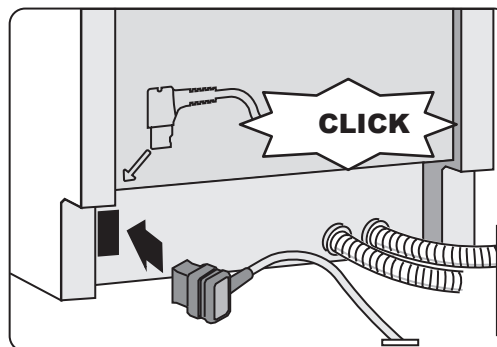
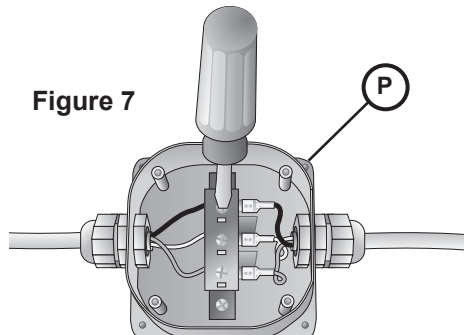
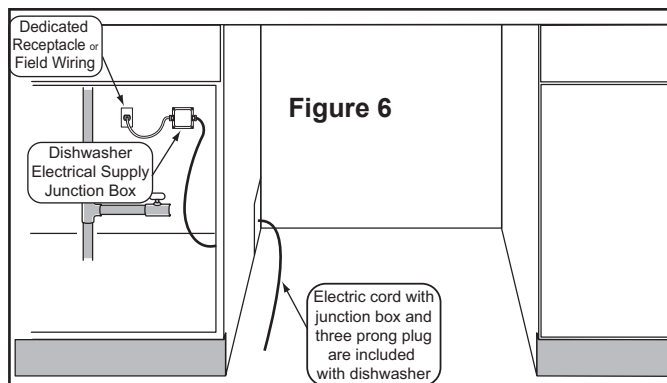
The dishwasher must be properly grounded before operating. This appliance must be connected to a grounded metal permanent wiring system, or an equipment grounding conductor must be run with the circuit conductors and connected to the equipment grounding terminal or lead on the dishwasher. Make sure that the dishwasher is connected to a suitable ground in compliance with all local codes or, in the absence of a local code, with the NATIONAL ELECTRICAL CODE in the United States or the CANADIAN ELECTRIC CODE C22.1-latest edition in Canada as well as any provincial/state or municipal or local codes that apply.

Dishwasher Electrical Rating

| Volts | Hertz | Amperes | Watts |
|-------|-------|---------|-------------|
| 120 | 60 | 12 | 1,300 (max) |

Electrical Connection

The dishwasher electrical supply junction box (P) and dedicated receptacle must be mounted in an accessible cabinet adjacent to the dishwasher (do not mount the junction box or receptacle behind the dishwasher). You will need a 4³/₄" x 2³/₈" (120 x 60mm) opening through the cabinet in order to pass the junction box through (see **Figure 6**). If the opening is made through wood, sand it smooth. If the opening is made through metal, use the included protective grommet (I) or other approved method to protect wiring from damage. Use the four screws included (or appropriate fastener) in the parts bag to securely mount the junction box so that it can be easily accessed (see **Figure 6**). The electrical supply can be connected in two ways:



Method A - Three prong plug and receptacle

Use the included three-prong plug and junction box to connect to a dedicated household receptacle. Make sure the household receptacle meets the electrical supply requirements as well as national and local codes.

Method B - To permanently connect to household or field wiring:

1. Remove the dishwasher electrical supply junction box cover and connect to the power supply cord from the house installation. See **Figure 7**.
2. Remove 2" to 3" (51 - 76mm) of the outer casing of the household or field supply wiring as shown in **Figure 8**. Remove 3/8" to 1/2" (10 - 13mm) of the insulation from each wire as shown in **Figure 8**.

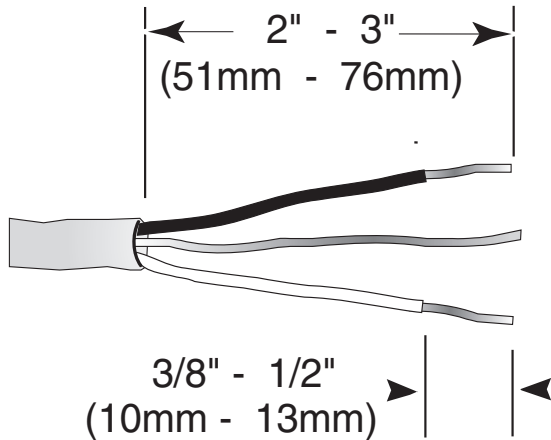


Figure 8

3. Insert the bare copper or green wire(ground) to the "G" ground connection "⊥" of the terminal block and securely tighten the terminal block screw (see **Figure 7**).
4. Insert the white (neutral) wire to the "N" connection of the terminal block and securely tighten the terminal block screw.
5. Insert the black(hot) wire to the "L" connection of the terminal block and securely tighten the terminal block screw.
6. Check all electrical connections to make sure they are secure and then attach the junction box cover with the 4 screws.

⚠ WARNING

Avoid Electrical Shock Hazard

To avoid possible injury or property damage, care should be exercised when the dishwasher is installed or removed to reduce the likelihood of damage to the power cord.

Inlet Water Connections

Hot Water Supply

The hot water heater should be set to deliver approximately 120° F (49° C) water to the dishwasher. Water that is too hot can cause some detergents to lose effectiveness. Lower water temperatures will increase run times. The hot water supply pressure must be between 15 - 145 psi (1 - 10 bar).

IMPORTANT NOTES:

- If using a solder joint instead of a compression fitting, be sure to make all solder connections before connecting the water supply line to the dishwasher.
- Make sure there are no sharp bends or kinks in the water line that might restrict water flow.
- Always use the appropriate seal when making plumbing connections.
- Before connecting the water supply line to the dishwasher, flush the incoming water line for approximately 5 minutes to clear any foreign material.
- Turn on the water supply and check for leaks after connections are made.

⚠ WARNING

Avoid Scald Hazard

Do not perform any work on a charged hot water line. Serious injury could result. Only qualified plumbers should perform plumbing work. Do not attempt any work on the dishwasher hot water supply plumbing until you are certain the hot water supply is shut off.

CAUTION

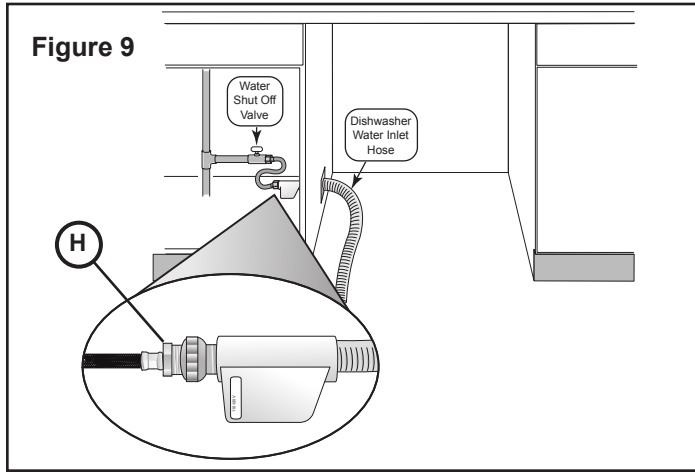
Temperatures required for soldering and sweating will damage the dishwasher. If plumbing lines are to be soldered or sweated, keep the heat source at least 6 inches (152.4 mm) away from the dishwasher.

Water Supply Shut Off Valve

Install an easily accessible shut-off valve (not supplied) in the hot water supply line, as shown in **Figure 9**. All solder connections must be made before the water line is connected to the dishwasher.

Connecting the Hot Water Supply

There are two plastic corrugated hoses that exit the back of the dishwasher. The larger hose, with the brass fitting on the end, is the water supply hose to the dishwasher (the other hose is the dishwasher drain hose). You will need a 3" x 1³/₄" (76 x 45mm) opening through the cabinet to pass the dishwasher water supply line through toward the shut off valve.



To connect the hot water supply:

1. Assemble the water supply adaptor fitting (H) from the parts bag onto the dishwasher water supply hose. This connection does not require Teflon brand tape.
2. Pass the dishwasher water supply line with attached adaptor through the opening toward the water shut off valve. Take care not to allow the hose to kink or twist behind the dishwasher.
3. Connect the dishwasher water supply line with adaptor to the water shut off valve. You will need to use an approved dishwasher water supply line with the correct fittings for this connection. Always use the appropriate seal when making plumbing connections.

NOTE: The end of the dishwasher water inlet hose is heavy and will need to be supported. It is best to lay the end on the cabinet floor as shown in **Figure 9**.

4. After all connections are made, turn on the hot water and check for leaks.

Drain Connections

The dishwasher drain hose may be connected to the household or field drain plumbing in one of four ways. You will need a 1¹/₄" diameter hole in order to pass the drain hose through the cabinet.

- 1 Directly under the sink dishwasher drain connection, as shown in **Figure 11**.
- 2 Directly to a disposer dishwasher drain connection, as shown in **Figure 12**.
- 3 To the under sink dishwasher drain connection through an air gap, as shown in **Figure 13**.
- 4 To a disposer dishwasher drain connection through an air gap, as shown on **Figure 14**.

IMPORTANT NOTES:

- If local ordinance require an air gap, install it according to the manufacturer's instructions.
- If the dishwasher drain hose is to be connected to a disposer dishwasher drain connection, remove the plug from the disposer's dishwasher drain connection.
- The dishwasher drain hose must have one place along its length that is securely attached 20" (508mm) above the cabinet floor.
- The drain hose length can be extended if necessary. The maximum length of the drain hose, including the hose leading to the air gap, is 150" (3800mm).

Figure 10

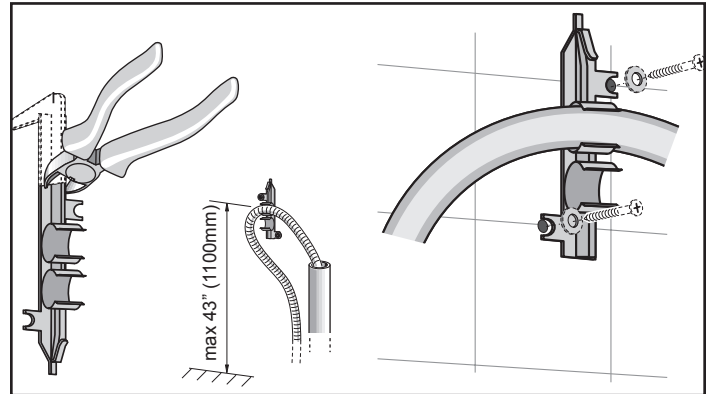


Figure 11

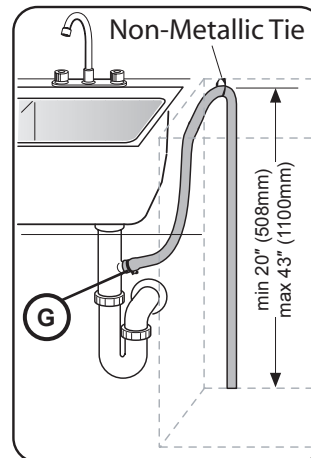


Figure 12

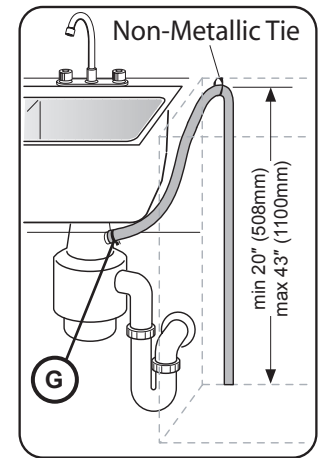


Figure 13

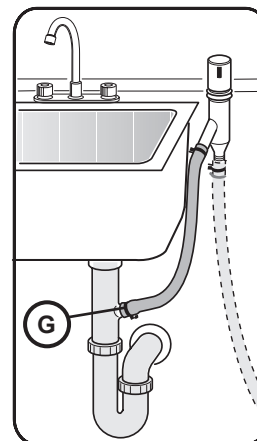
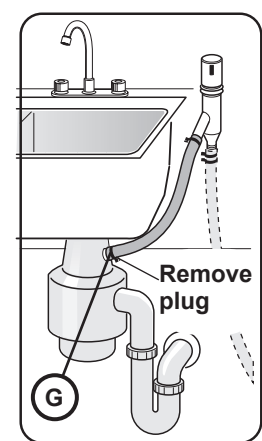


Figure 14



Installation of Rubber Drain Hose Adaptor

For a large port, use the drain hose as it is.

1. For a small port, insert the rubber drain hose adaptor into the drain hose end.
2. Obtain the Rubber Drain Hose Adaptor (J) spring clamp from the Dishwasher Installation Kit (**do not substitute**).
3. Insert the dishwasher drain hose into the **end of the drain hose** (see **Figure 15**). Be sure to fully insert the drain hose.
4. Use the clamp provided to attach the Rubber Drain Hose Adaptor to the house plumbing as shown in **Figure 16**.

Figure 15

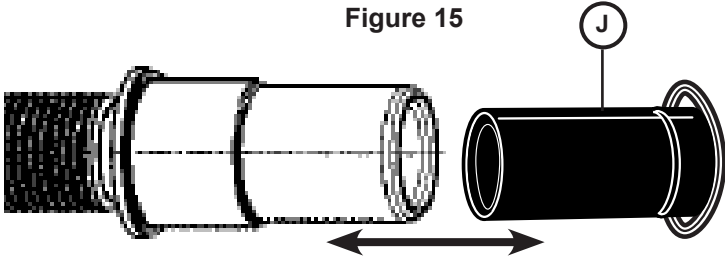
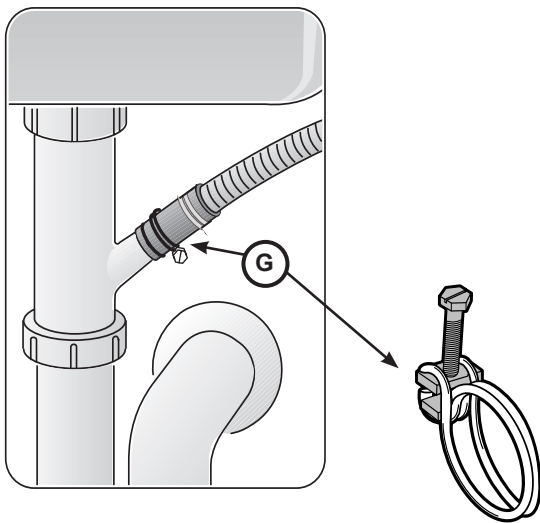


Figure 16



Installation of Mounting Brackets

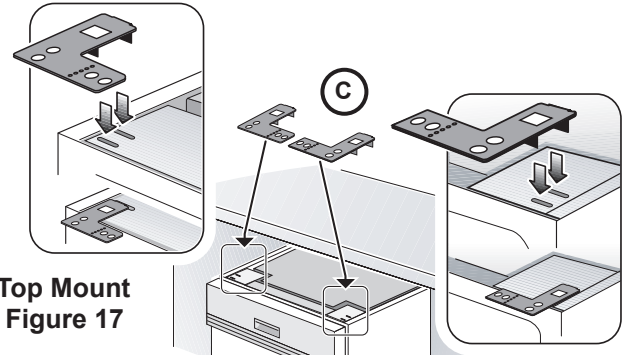
CAUTION

Before installing the supplied countertop mounting brackets, decide which method of securing the dishwasher into its enclosure will be used. Once the mounting brackets are installed on the dishwasher, removing them is difficult and will damage the mounting brackets and the dishwasher.

The dishwasher can be secured into its enclosure in 3 ways:

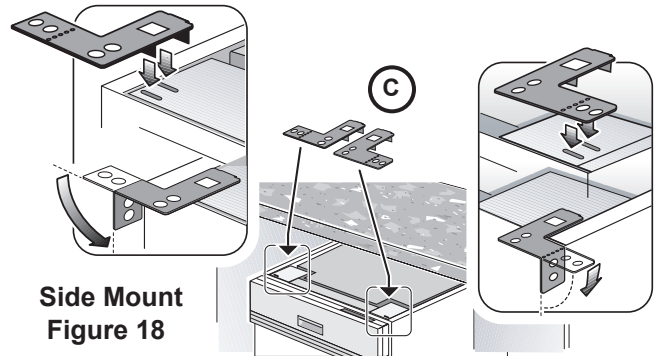
NOTE: If your dishwasher opening width measures $>23\frac{5}{8}$ " (600mm) use the **TOP** or **SIDE MOUNT** mounting methods. If your dishwasher opening width measures $23\frac{5}{8}$ " (600mm) use the **ALTERNATE SIDE MOUNT** mounting method.

Top Mount is used for countertops made of wood or other materials that can be easily drilled. Orient the mounting brackets as shown in **Figure 17**, and position the two small tabs on the mounting brackets over the two slots on the dishwasher's front corners. Push the mounting brackets down firmly to insert the tabs into the slots.



Top Mount
Figure 17

Side Mount is used for countertops made of marble, granite, or other very hard materials that cannot be easily drilled. Bend the mounting brackets along the small holes and in the same direction as the two small tabs. Orient the mounting brackets as shown in **Figure 18**, and position the two small tabs on the mounting brackets over the two slots on the dishwasher's front corners. Push the mounting brackets down firmly to insert the tabs into the slots. Bend perforated edge down as shown.



Side Mount
Figure 18

Alternate Side Mount for opening $23\frac{5}{8}$ " (600mm). Insert a side mount force distributor (M) in each side as shown in **Figure 19**.

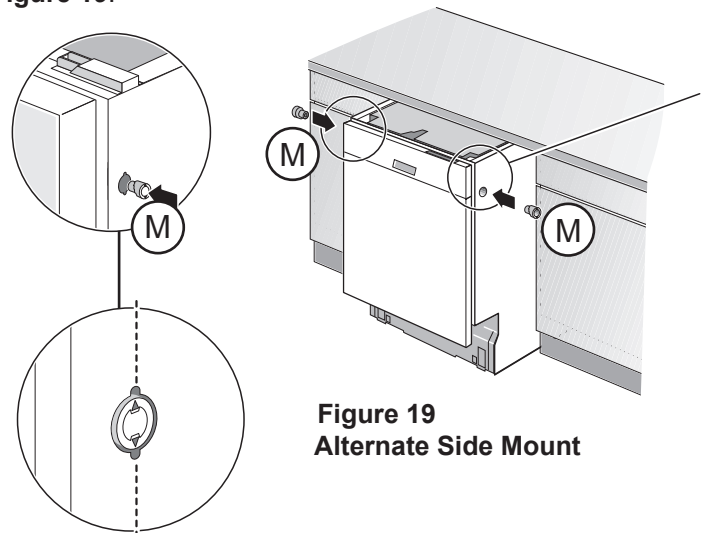


Figure 19
Alternate Side Mount