

SPECS/DIMENSIONS



PCG364GD
36" RANGETOP

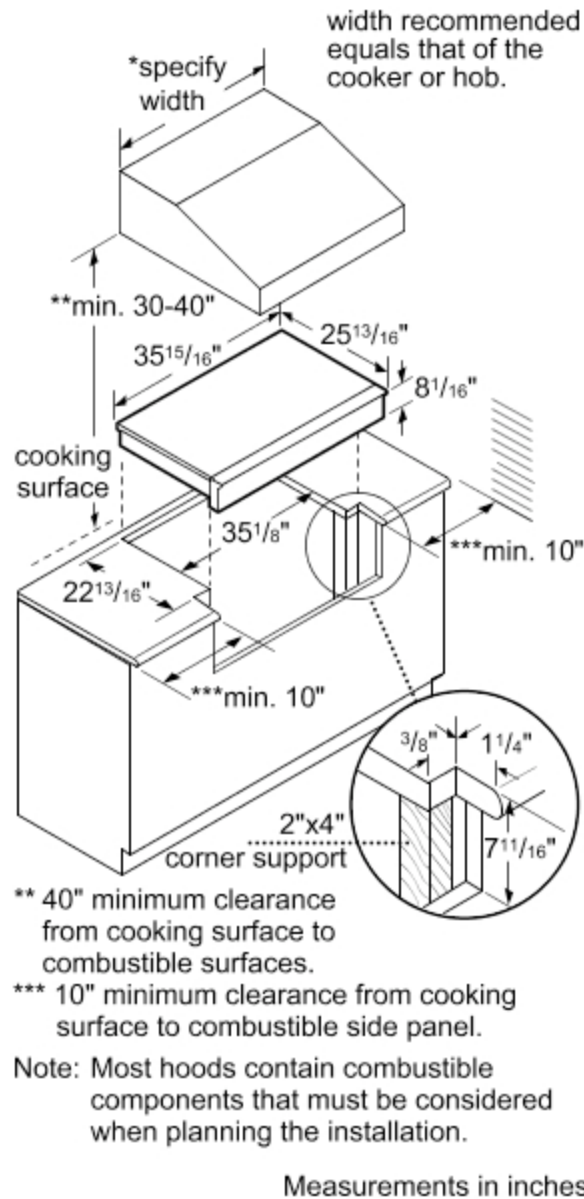
Print

UPC code	825225881193
Main color of product	Stainless steel
Energy source	Mixed electro/gas
Gas type	Natural gas 15 mbar (USA)
Alternative gas type	Liquid gas 27,5 mbar (USA)
Watts (W)	
Current (A)	15
Volts (V)	120
Frequency (Hz)	60
Approval certificates	CSA
Power cord length (in)	96"
Plug type	120V-3 prong
Required cutout size (HxWxD) (in)	10 9/16" x 35 1/8" x 7 11/16"
Minimum distance from counter front (in)	
Minimum distance from rear wall (in)	12"
Overall appliance dimensions (HxWxD) (in)	+10 9/16" x 35 15/16" x 25 13/16"
Product packaging dimensions (HxWxD) (in)	20.99 x 40.99 x 31.99
Net weight (lbs)	133
Gross weight (lbs)	148
Total number of cooktop burners	4

Knob Material	Full metal
Sealed Burners	Yes
Burners with booster	
Type of grate	Cast iron
Number of Single grates	
Number of Double grates	2
Natural Gas Connection Rating (BTU)	72000
LP Gas Connection Rating (BTU)	60000
Location of 1st heating element	front left
Dimension of 1st heating element (in)	
Power of 1st heating element (kW)	5.27
Power of 1st burner (BTU)	18000
Location of 2nd heating element	back left
Dimension of 2nd heating element (in)	
Power of 2nd heating element (kW)	5.27
Power of 2nd burner (BTU)	18000
Location of 3rd heating element	back right
Dimension of 3rd heating element (in)	
Power of 3rd heating element (kW)	5.27
Power of 3rd burner (BTU)	18000
Location of 4th heating element	Cooking zone front right
Dimension of 4th heating element (in)	

Power of 4th heating element (kW)	5.27
Power of 4th burner (BTU)	18000
Location of 5th heating element	
Dimension of 5th heating element (in)	
Power of 5th heating element (kW)	
Power of 5th burner (BTU)	
Location of 6th heating element	
Dimension of 6th heating element (in)	
Power of 6th heating element (kW)	
Power of 6th burner (BTU)	
Included accessories	1 x island trim
Optional accessories	GRIDDLE, PA12CHPBLK, PA12GCVRHC, PA12GRILHC, PA36GLBC, PAKNOBLK, PAKNOBLU, PALPKITHC, PWOKRINGHC
Construction type	
Number of gas burners	4
Number of electric cooking zones	0
Number of induction elements	0
SKU	PCG364GD
SERIES	

Diagrams



[Click Here to View Features](#)

Natural Gas or LP: Thermador Professional Rangetops are shipped by the factory to operate on natural gas. They must be converted for use with propane. Verify that the type of gas being used at the installation site matches the type of gas used by the appliance. If the location/job-site requires conversion from natural gas to propane (LP), order PALPKITHC. Field conversion must be done by qualified service personnel only.

Backguard: A backguard must be utilized when there is less than a 12-inch horizontal clearance between combustible materials and the back edge of the rangetop. The Thermador Low Back backguard must be ordered separately and installed at the rear of the rangetop. For island installations and other installations with more than 12-inch clearance, the provided stainless steel island trim will cover the backguard mounting flanges.

Ventilation: The HPWB Professional Series wall hoods or the Professional Series Custom Inserts are recommended ventilation solutions for these rangetops. The PH Professional Series wall hoods are also a viable option, however the 27-inch depth of the PH Series may not be suitable to all applications.

Print

Close

Email