

Installation

Before you Begin

- Tools and Parts Needed**
- T-20 6-lobe screwdriver
 - Measuring tape
 - Drill with bit (1/8")

- Parts Included**
- T-20 6-lobe screws, #8x1/2" (8)

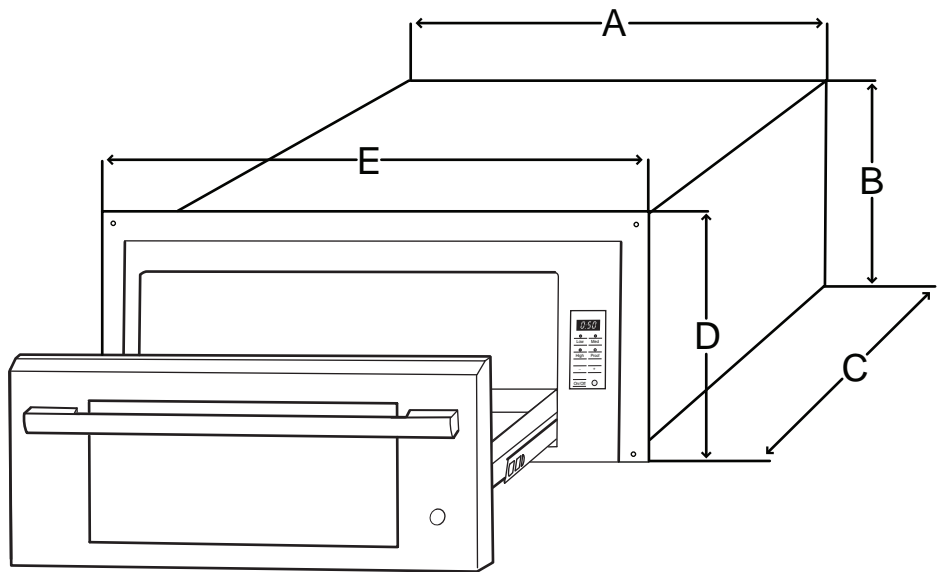
General Information

Power Requirements and Grounding

Circuit Specifications: 120V, 15A, 60Hz

The outlet must be properly grounded in accordance with all applicable codes.

Overall Dimensions

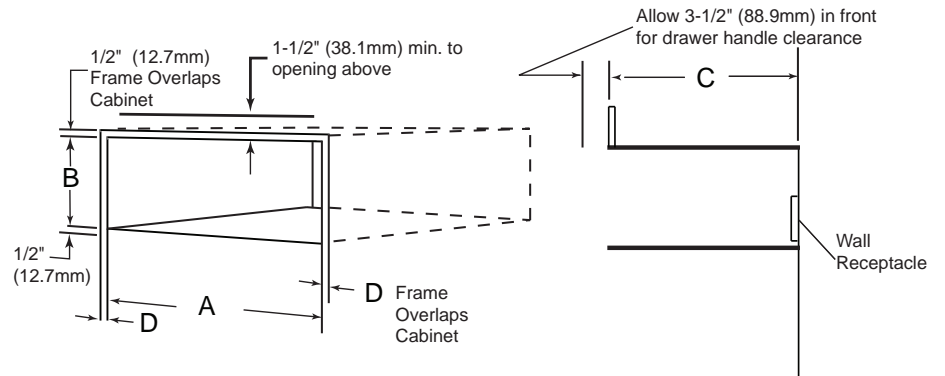


| Dimension | Model | |
|-----------|-------------------|-------------------|
| | 27" (685 mm) | 30" (762 mm) |
| A | 25" (634 mm) | 28" (710 mm) |
| B | 10 3/4" (274 mm) | 10 3/4" (274 mm) |
| C | 22 1/4" (565 mm) | 22 1/4" (565 mm) |
| D | 11 7/16" (289 mm) | 11 7/16" (289 mm) |
| E | 26 5/8" (676 mm) | 29 5/8" (752 mm) |

Cabinet Cutout Dimensions

Instructions are based on standard American cabinets 36" (914 mm) high and 24" (609 mm) deep with a 25" (635 mm) countertop. If using non-standard cabinets, alter dimensions accordingly.

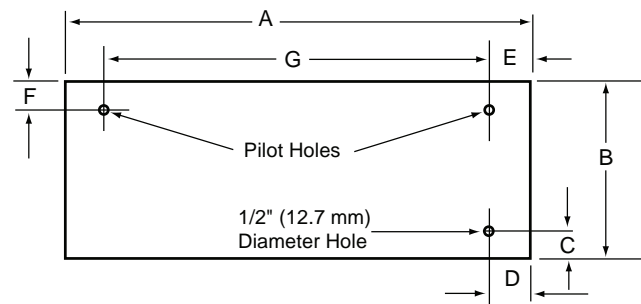
Cabinet opening bottom must be able to support 110 pounds (50 kg).



| Dimension | Model | |
|-----------|------------------|------------------|
| | 27" (685 mm) | 30" (762 mm) |
| A | 25 3/8" (645 mm) | 28 3/8" (721 mm) |
| B | 10 7/8" (276 mm) | 10 7/8" (276 mm) |
| C | 24" (610 mm) | 24" (610 mm) |
| D | 5/8" (16 mm) | 5/8" (16 mm) |

Custom Drawer Front Dimensions (Optional)

Build custom drawer front to the dimensions specified in the following table. All four edges must be finished. If using wood, the back must be sealed to prevent moisture damage.



| Dimension | Model | |
|-----------|------------------|------------------|
| | 27" (685 mm) | 30" (762 mm) |
| A | 26 3/4" (679 mm) | 29 3/4" (755 mm) |
| B | 11 1/4" (286 mm) | 11 1/4" (286 mm) |
| C | 3 5/8" (93 mm) | 3 5/8" (93 mm) |
| D | 2 3/16" (55 mm) | 2 3/16" (55 mm) |
| E | 2 5/8" (66 mm) | 2 3/4" (69 mm) |
| F | 1 5/8" (40 mm) | 1 5/8" (40 mm) |
| G | 21 1/2" (547 mm) | 24 3/8" (618 mm) |

Installation Procedure



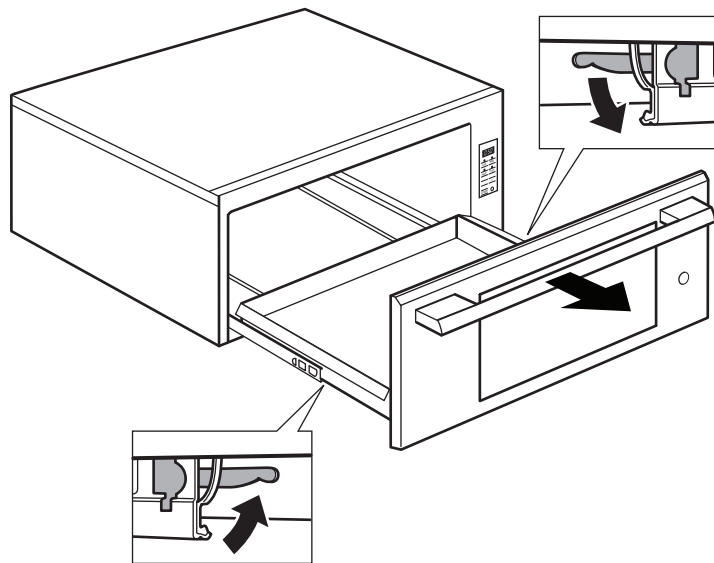
CAUTION:

Before installing, turn power OFF at the service panel. Lock service panel to prevent power from being turned ON accidentally.

1. Prepare cabinet cutout.

Prepare cabinet cutout and install electrical connection according to the dimensions in "General Information".

2. Remove drawer.



- 1) Pull drawer to fully open position.
 - 2) Press down right drawer clip.
 - 3) Lift up left drawer clip.
 - 4) Firmly pull the drawer straight out. Retract cabinet rails while drawer is removed.
3. Connect power cord.

Insert plug into three-prong, grounded outlet. See "Power Requirements and Grounding" above for electrical specifications.