
CLOSET-HIS CABINETRY FLOOR PLAN
 SCALE: 1:36

Classic Bath Designs, Inc.
 11544 Sheldon St., Sun Valley, CA 91352
 818.767.1144 fax: 818.767.1278



Cust: Fleming for Bowmont

PO# SngFamDwelling

Scale: As Noted

CLOSET-His

Approved _____

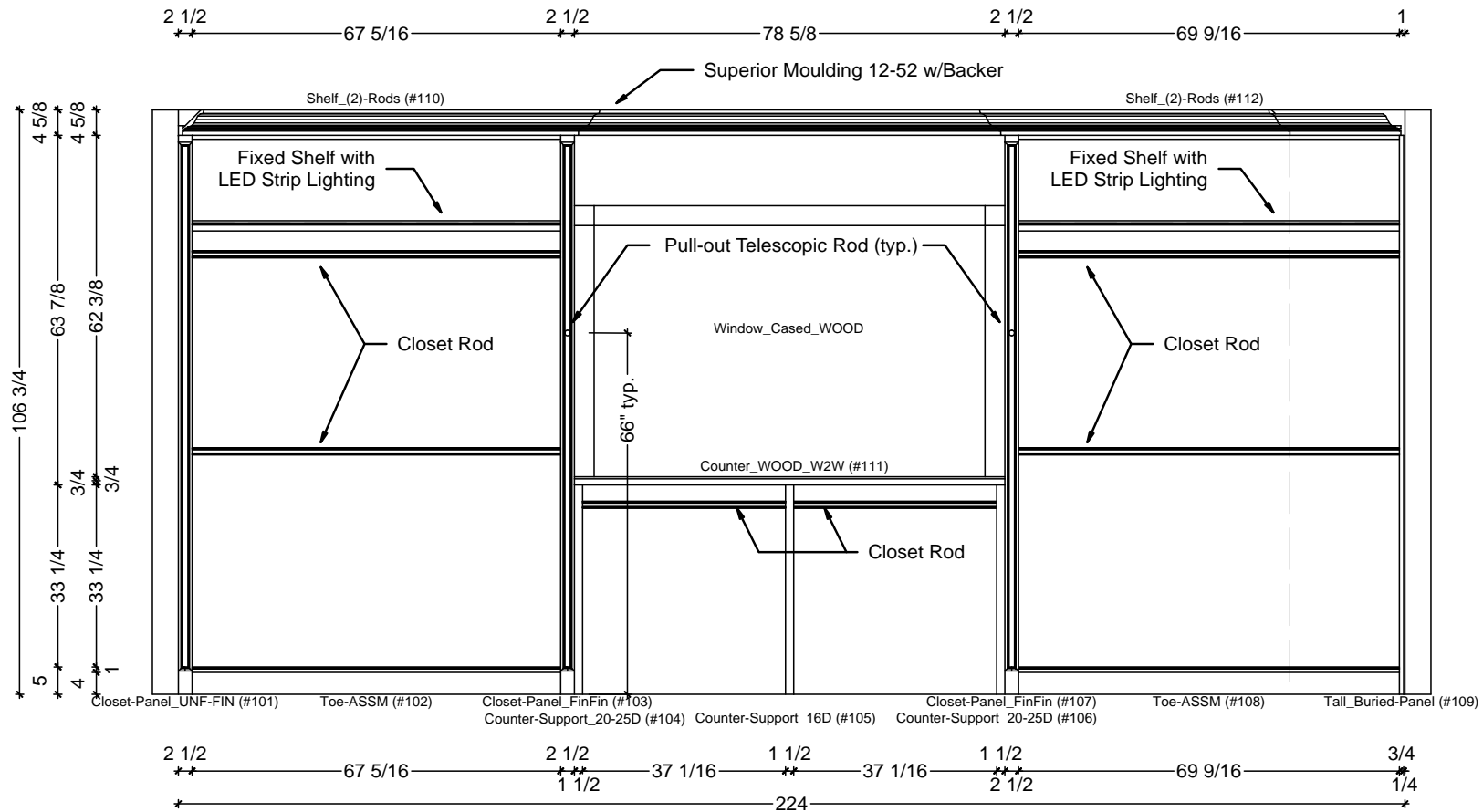
Job: FL-FF-RTA_PG/PG:perSample_IntEB:PG

Size: A

Dr By: Brian

08/18/2013

CIHs.0

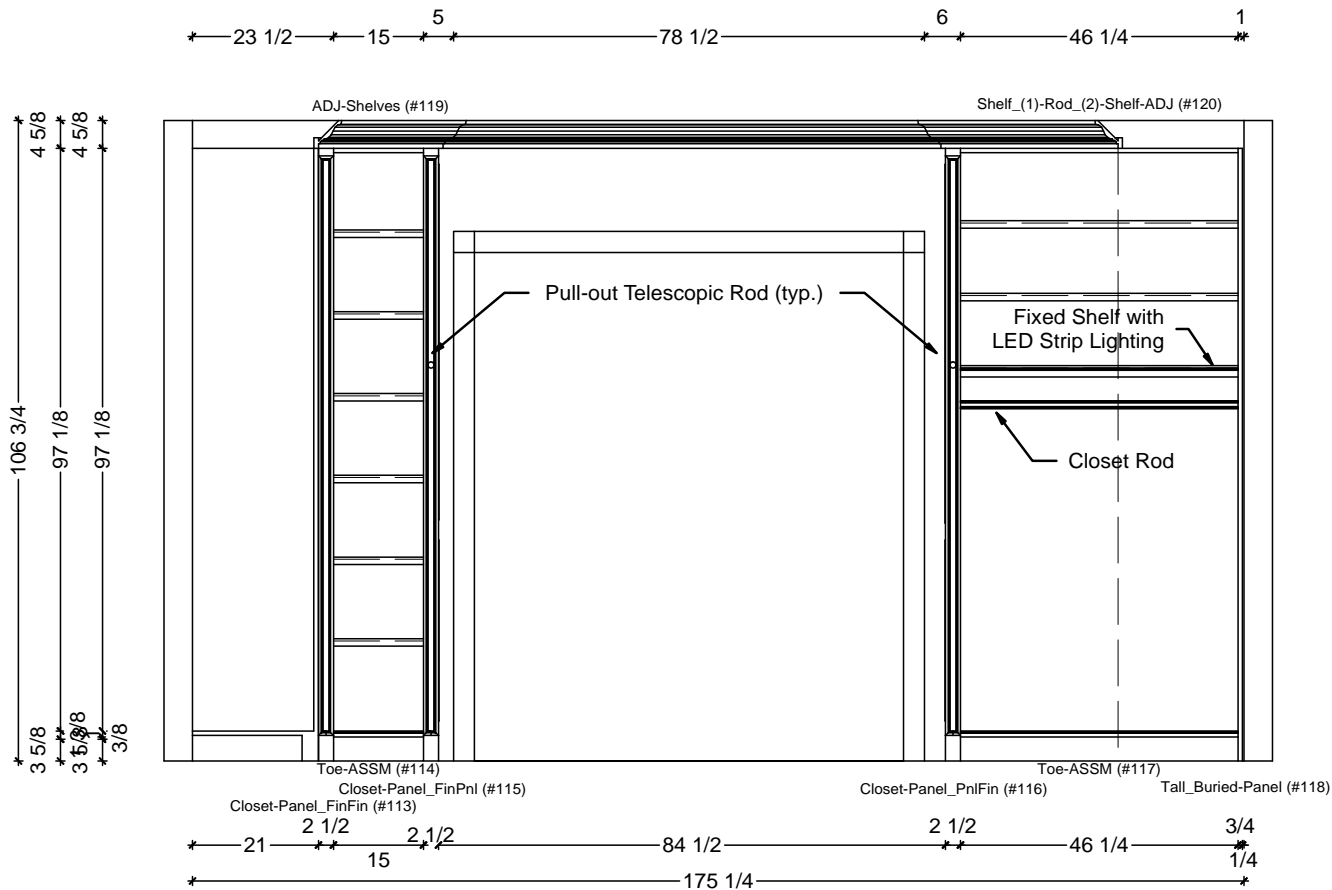


1 CLOSET-HIS ELEVATION - WEST
SCALE: 3/8" = 1' 0"

Classic Bath Designs, Inc.
11544 Sheldon St., Sun Valley, CA 91352
818.767.1144 fax: 818.767.1278



Cust: Fleming for Bowmont	PO# SngFamDwelling	Scale: As Noted	CLOSET-His	CIHS.1
Approved _____	Job: FL-FF-RTA_PG/PG:perSample_IntEB:PG	Size: A	Dr By: Brian 08/18/2013	

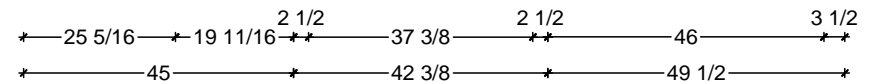
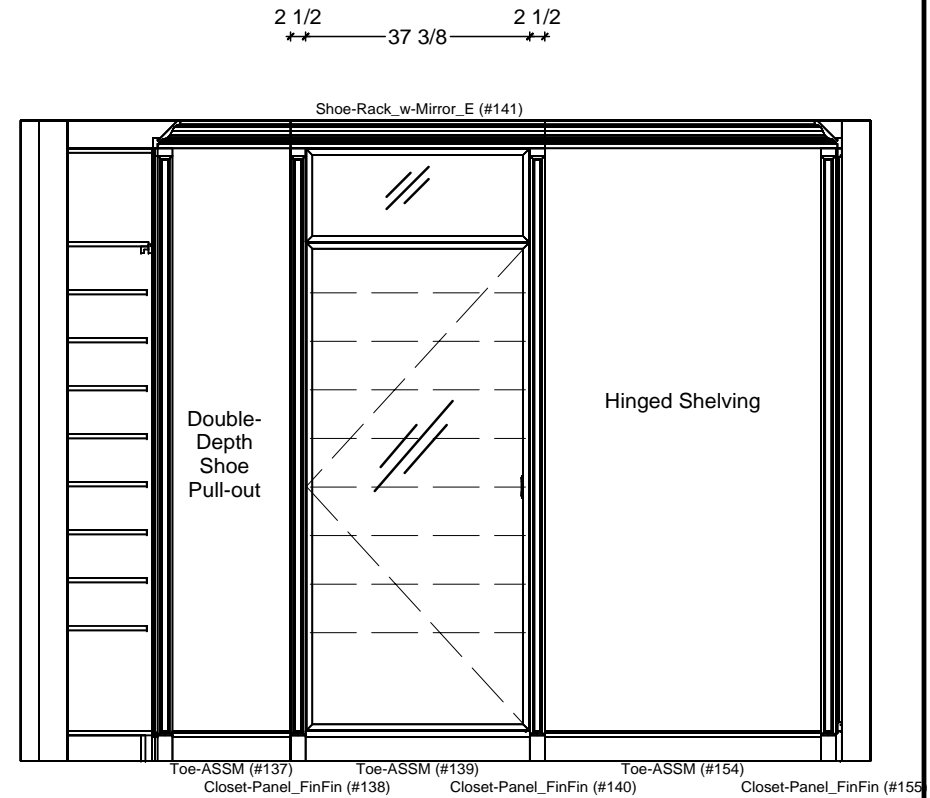
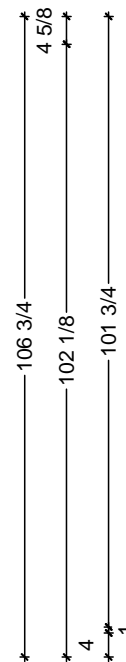
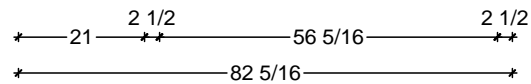
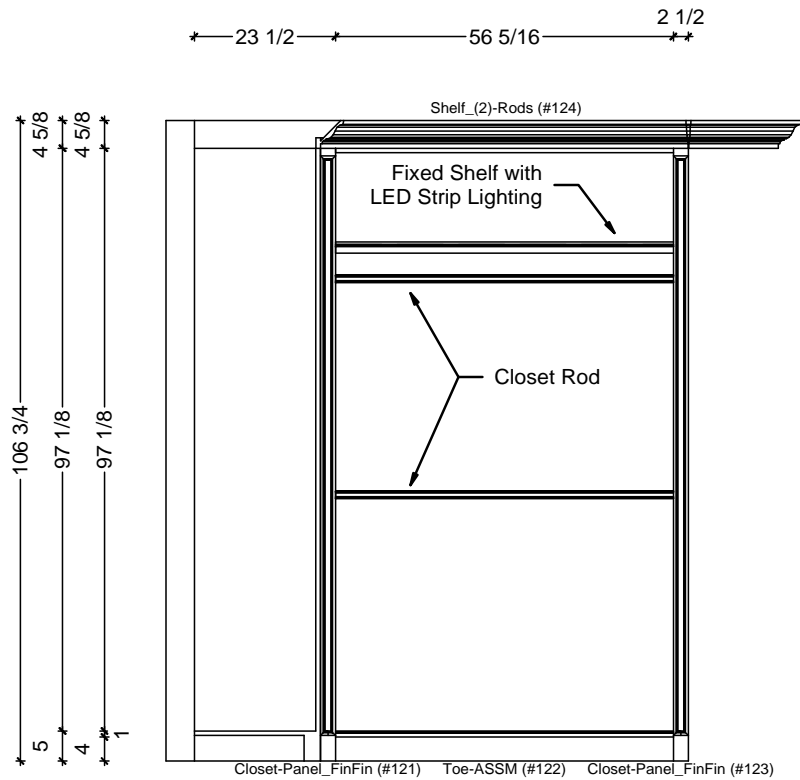


1 CLOSET-HIS ELEVATION - NORTH & WEST
 SCALE: 3/8" = 1' 0"

Classic Bath Designs, Inc.
 11544 Sheldon St., Sun Valley, CA 91352
 818.767.1144 fax: 818.767.1278



Cust: Fleming for Bowmont	PO# SngFamDwelling	Scale: As Noted	CLOSET-His	CIHs.2
Approved _____	Job: FL-FF-RTA_PG/PG:perSample_IntEB:PG	Size: A	Dr By: Brian 08/18/2013	



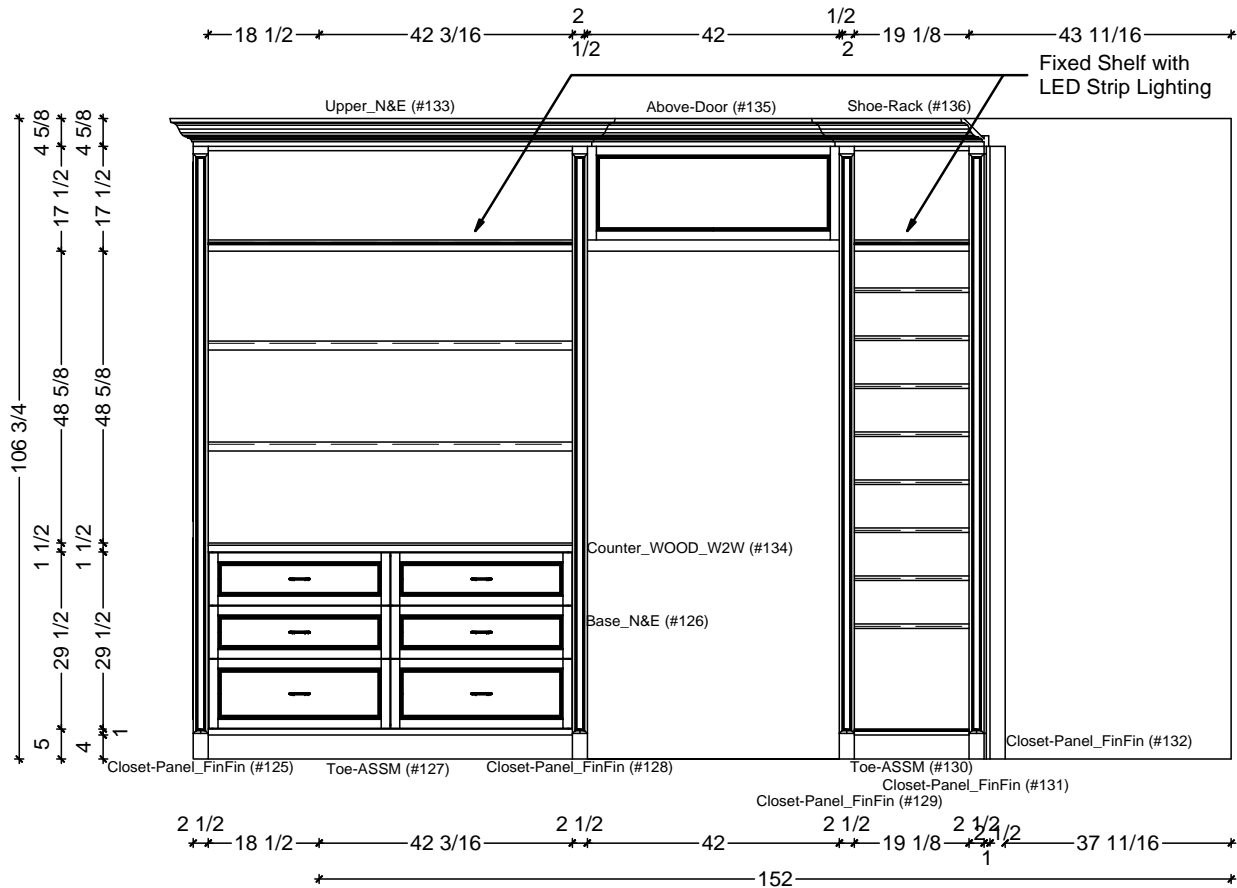
1 CLOSET-HIS ELEVATION - EAST & NORTH
SCALE: 3/8" = 1' 0"

2 CLOSET-HIS ELEVATION - EAST & SOUTH
SCALE: 3/8" = 1' 0"

Classic Bath Designs, Inc.
11544 Sheldon St., Sun Valley, CA 91352
818.767.1144 fax: 818.767.1278



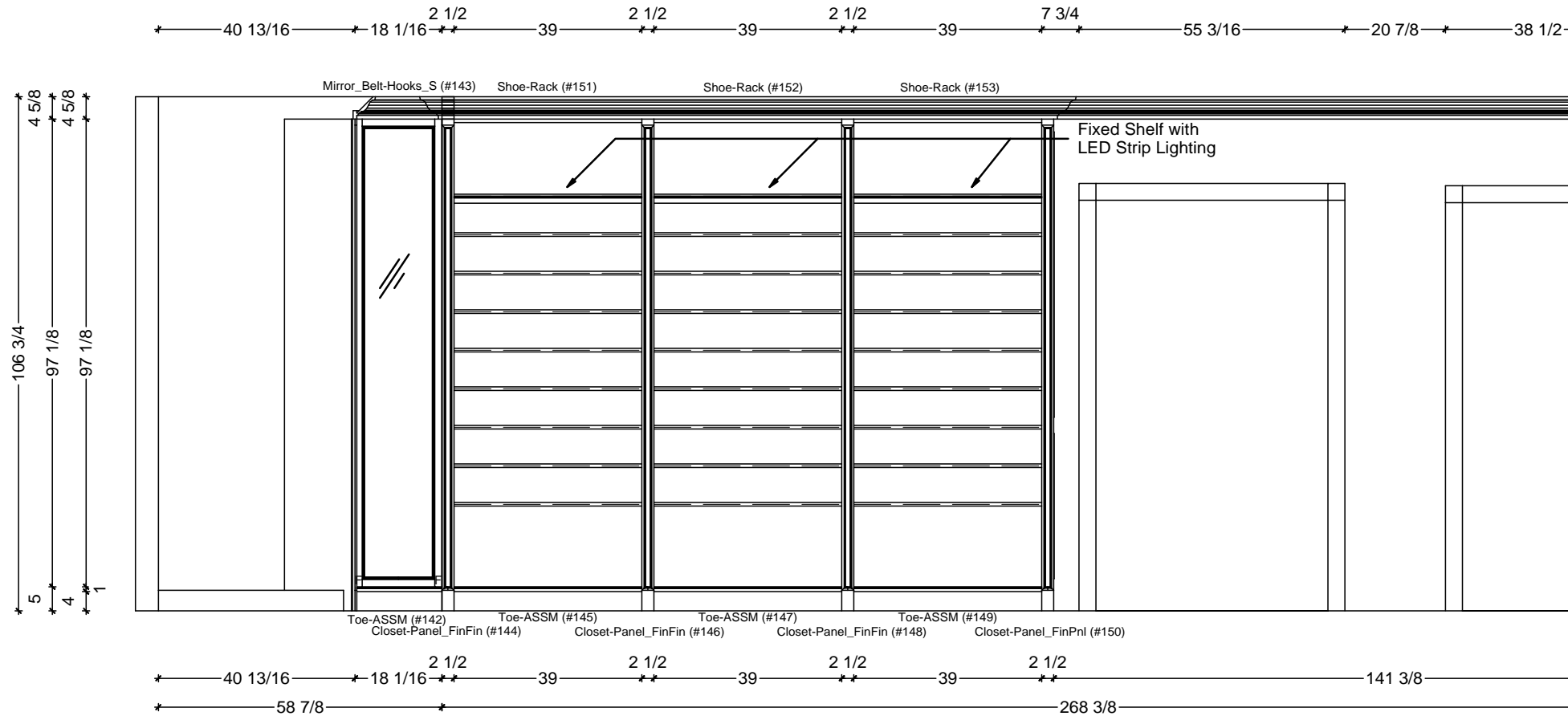
Cust: Fleming for Bowmont	PO# SngFamDwelling	Scale: As Noted	CLOSET-His	CIHs.3
Approved _____	Job: FL-FF-RTA_PG/PG:perSample_IntEB:PG	Size: A	Dr By: Brian 08/18/2013	



1 CLOSET-HIS ELEVATION - NORTH & EAST
 SCALE: 3/8" = 1' 0"

Classic Bath Designs, Inc.
 11544 Sheldon St., Sun Valley, CA 91352
 818.767.1144 fax: 818.767.1278

Cust: Fleming for Bowmont	PO# SngFamDwelling	Scale: As Noted	CLOSET-His	CIHs.4
Approved _____	Job: FL-FF-RTA_PG/PG:perSample_IntEB:PG	Size: A	Dr By: Brian 08/18/2013	



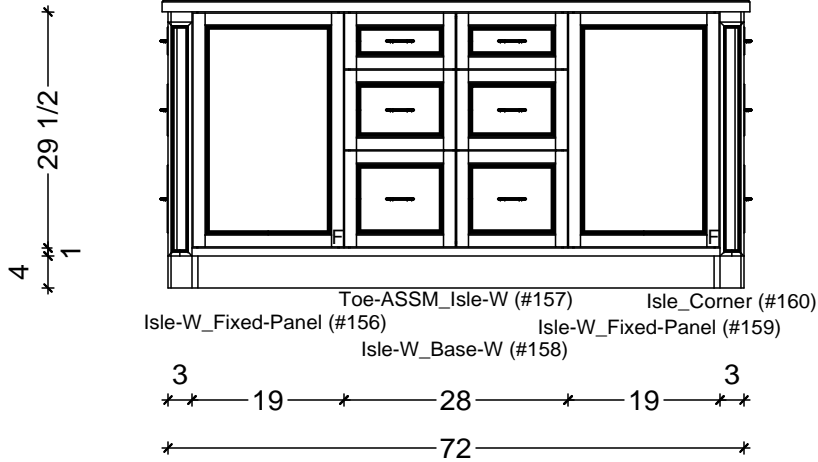
1 CLOSET-HIS ELEVATION - SOUTH
SCALE: 3/8" = 1' 0"

Classic Bath Designs, Inc.
11544 Sheldon St., Sun Valley, CA 91352
818.767.1144 fax: 818.767.1278

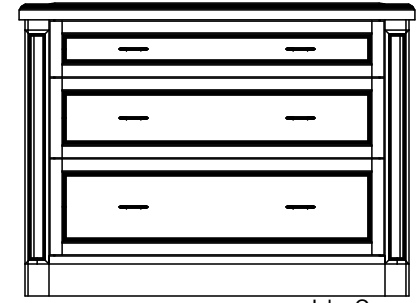


Cust: Fleming for Bowmont	PO# SngFamDwelling	Scale: As Noted	CLOSET-His	CIHs.5
Approved _____	Job: FL-FF-RTA_PG/PG:perSample_IntEB:PG	Size: A	Dr By: Brian 08/18/2013	

Fleming--Bowmont_COUNTER_Closet-His_W

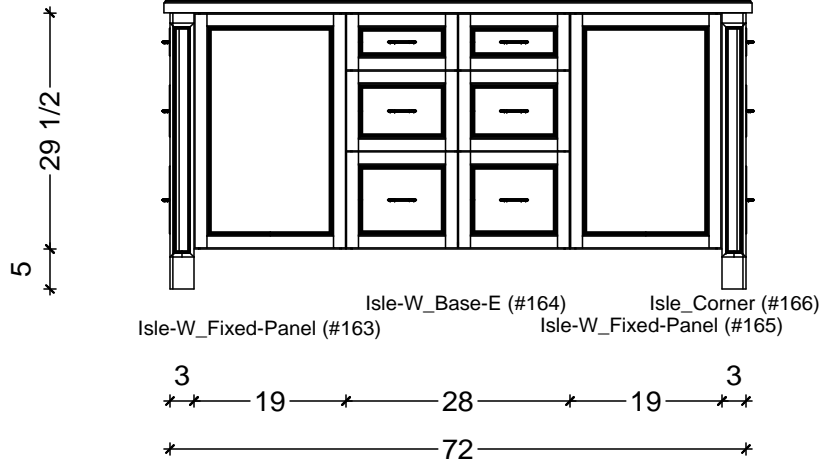


1 CLOSET-HIS ISLE-WEST - FACING EAST
SCALE: 1/2" = 1' 0"

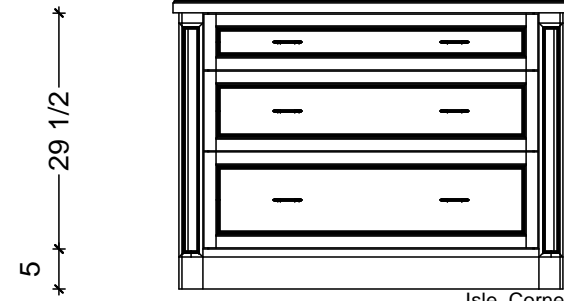


2 CLOSET-HIS ISLE-WEST - FACING NORTH
SCALE: 1/2" = 1' 0"

Fleming--Bowmont_COUNTER_Closet-His_W



3 CLOSET-HIS ISLE-WEST - FACING WEST
SCALE: 1/2" = 1' 0"



4 CLOSET-HIS ISLE-WEST - FACING SOUTH
SCALE: 1/2" = 1' 0"

Classic Bath Designs, Inc.
11544 Sheldon St., Sun Valley, CA 91352
818.767.1144 fax: 818.767.1278



Cust: Fleming for Bowmont

PO# SngFamDwelling

Scale: As Noted

CLOSET-His

Approved _____

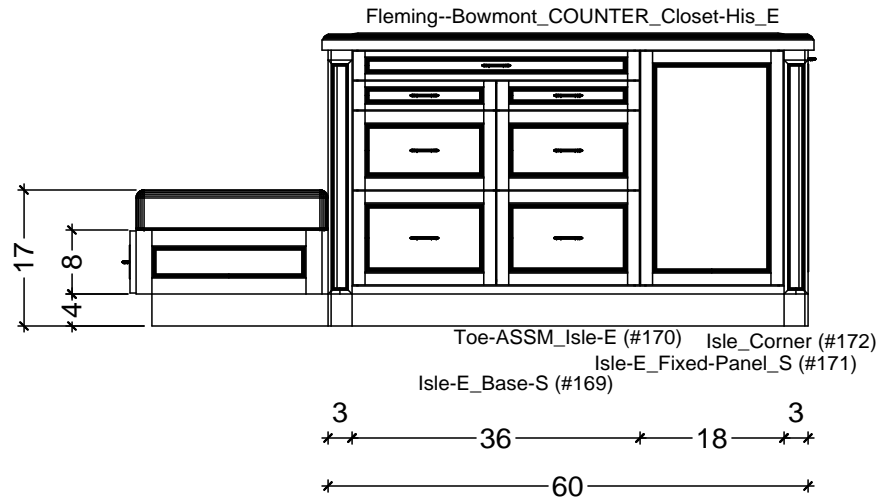
Job: FL-FF-RTA_PG/PG:perSample_IntEB:PG

Size: A

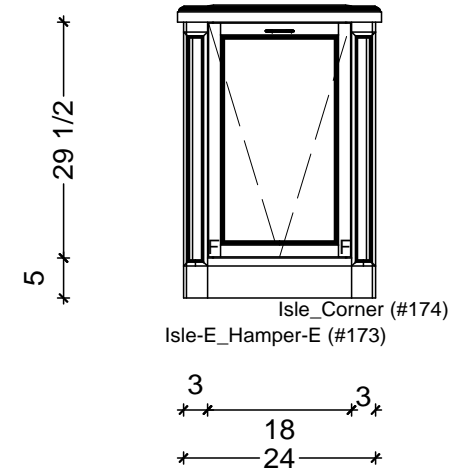
Dr By: Brian

08/18/2013

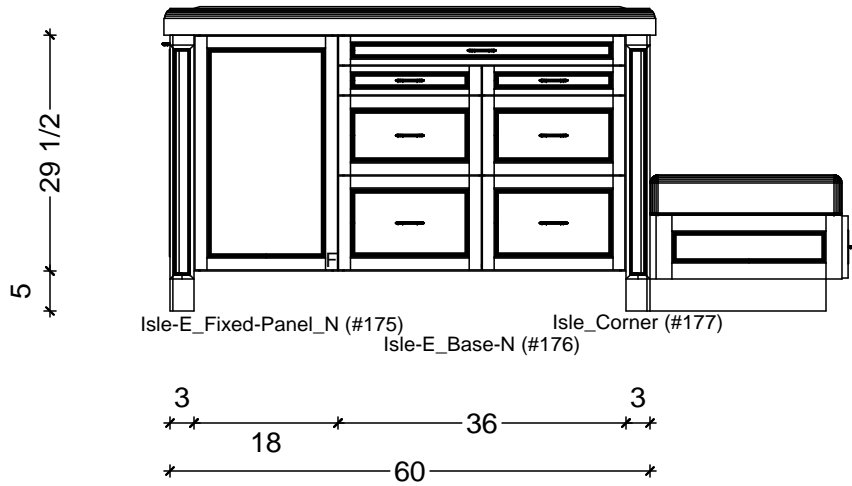
CIHs.6



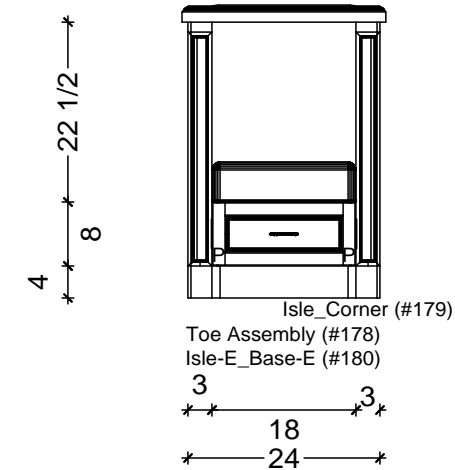
1 CLOSET-HIS ISLE-EAST - FACING NORTH
SCALE: 1/2" = 1' 0"



2 CLOSET-HIS ISLE-EAST - FACING WEST
SCALE: 1/2" = 1' 0"



3 CLOSET-HIS ISLE-EAST - FACING SOUTH
SCALE: 1/2" = 1' 0"



4 CLOSET-HIS ISLE-EAST - FACING EAST
SCALE: 1/2" = 1' 0"

Classic Bath Designs, Inc.
11544 Sheldon St., Sun Valley, CA 91352
818.767.1144 fax: 818.767.1278



Cust: Fleming for Bowmont	PO# SngFamDwelling	Scale: As Noted	CLOSET-His	CIHs.7
Approved _____	Job: FL-FF-RTA_PG/PG:perSample_IntEB:PG	Size: A	Dr By: Brian 08/18/2013	



Classic Bath Designs, Inc.
 11544 Sheldon St., Sun Valley, CA 91352
 818.767.1144 fax: 818.767.1278



Cust: Fleming for Bowmont	PO# SngFamDwelling	Scale: As Noted	CLOSET-His	Rndr
Approved _____	Job: FL-FF-RTA_PG/PG:perSample_IntEB:PG	Size: A	Dr By: Brian	



Classic Bath Designs, Inc.
 11544 Sheldon St., Sun Valley, CA 91352
 818.767.1144 fax: 818.767.1278



Cust: Fleming for Bowmont

PO# SngFamDwelling

Scale: As Noted

Closet-His

Approved _____

Job: FL-FF-RTA_PG/PG:perSample_IntEB:PG

Size: A

Dr By: Brian

08/18/2013

Rndr