

FREESTANDING FRENCH-DOOR BOTTOM-FREEZER

RVRF336 – 36" WIDE



Storage Capacity

- Refrigerator – 15.4 cu. ft.
- Freezer – 6.7 cu. ft.
- Total – 22.1 cu. ft.

Refrigerator Features and Functions

- Theater LED Lighting
- Adjustable Cold Zone™ Drawer can be set for either produce or long-term fresh meat storage with its separate temperature control
- Two Adjustable Humidity Zone™ Drawers
- Four adjustable tempered-glass spillproof shelves; three sliding; one slide under
- In-the-door dairy compartment with cover
- Additional storage in five large door bins; two bins store gallon containers
- Premium air purification system keeps clean air circulating to prevent odor transfer
- Premium water filter provides a cleaner supply of ice by filtering bad tastes, odor, sediment, and harmful contaminants

Freezer Features and Functions

- Tri-level slide-out baskets
- Separate ice drawer
- Self-closing freezer drawer

Electronic Control Features and Functions

- Electronic controls with digital temperature readouts maintain the selected temperature in both refrigerator and freezer compartments
- Water filter and air filter indicator lights illuminate when filters need replacing
- Fast Freeze and Fast Ice settings
- Door-Open Alarm warns when door has been ajar for an extended period of time
- High Temperature and Power Fail Alarms
- Sabbath mode

Cabinet-Depth Design

- 24" Cabinet-Depth design integrates with surrounding cabinetry

Installation Accessories

- Replacement water filter (RWFVRF)
- Replacement air filter (RAFVRF)

Finish

- Available in Stainless Steel (SS)



Warranty Highlights

- One-year full – complete product
- Six-year full – sealed system
- Ninety-day full – cosmetic parts such as glass, painted items, and decorative items
- Twelve-year limited – sealed system



36" Wide Freestanding French-Door Bottom-Freezer

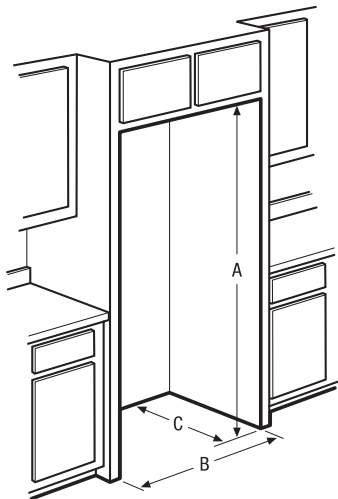
FREESTANDING FRENCH-DOOR BOTTOM-FREEZER

RVRF336 – 36" WIDE



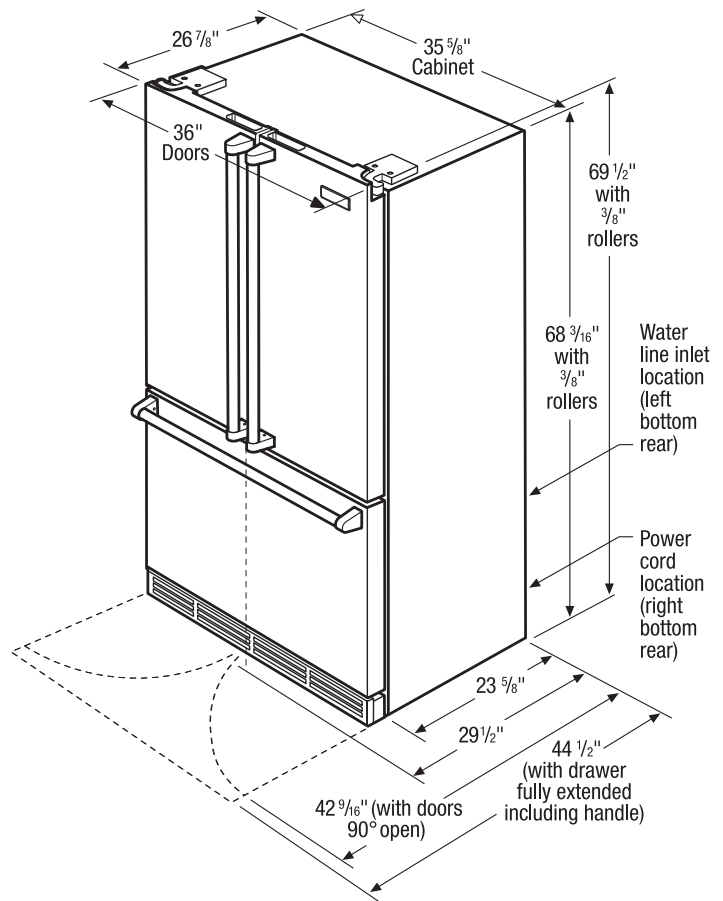
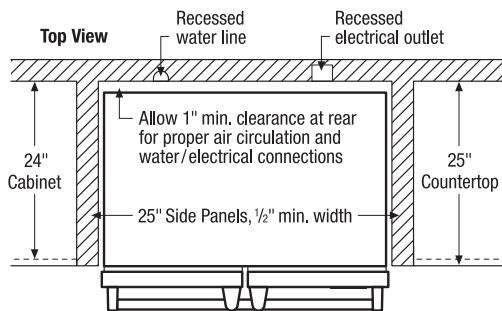
DESCRIPTION	36" WIDE FREESTANDING FRENCH-DOOR BOTTOM-FREEZER
	RVRF336
Overall Width	Cabinet – 35-5/8" (90.5 cm); front of unit – 36" (91.4 cm)
Overall Height	To top of door – 70" (177.8 cm) To top of cabinet – 68-3/16" (173.2 cm)
Overall Depth from Rear	To end of side panels – 23-5/8" (60 cm) To front of handle – 30-3/4" (78.1 cm)
Cutout Width	36" (91.4 cm)
Cutout Height	70-1/4" (178.4 cm)
Cutout Depth	25" (63.5 cm)
Electrical Requirements	120V/60Hz, 15 or 20 amp dedicated circuit; 3-wire cord with grounded 3-prong plug attached to product
Inlet Water Requirement	1/4" copper tubing inlet waterline; minimum 30 psi; maximum 100 psi
Overall Interior Capacity	Refrigerator – 15.4 cu. ft. (436.1 L) Freezer – 6.7 cu. ft. (189.7 L) Total capacity – 22.1 cu. ft. (625.8 L)
Approximate Shipping Weight	347 lb. (157.4 kg)

Please do not prepare installation from brochure data only. See installation instructions for important clearance/installation information.



"Built-In Look" Cutout Dimensions

(A) 70 1/4" (B) 36" (C) 25"



VIKING RANGE, LLC 111 FRONT STREET GREENWOOD, MISSISSIPPI 38930 USA

For detailed product information, model numbers, or to request a quote call 1-888-845-4641 or visit vikingrange.com
© 2013 Viking Range, LLC | Specifications subject to change without notice.