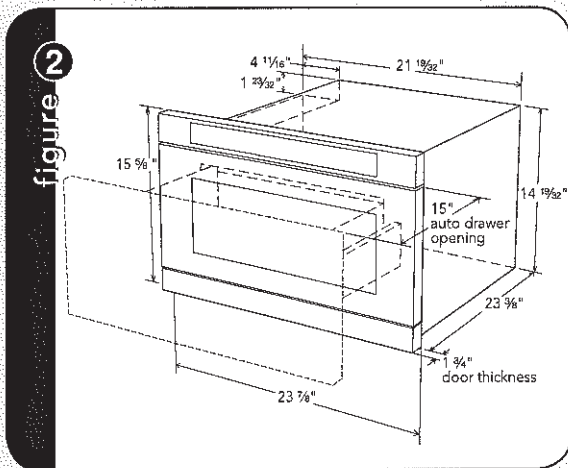
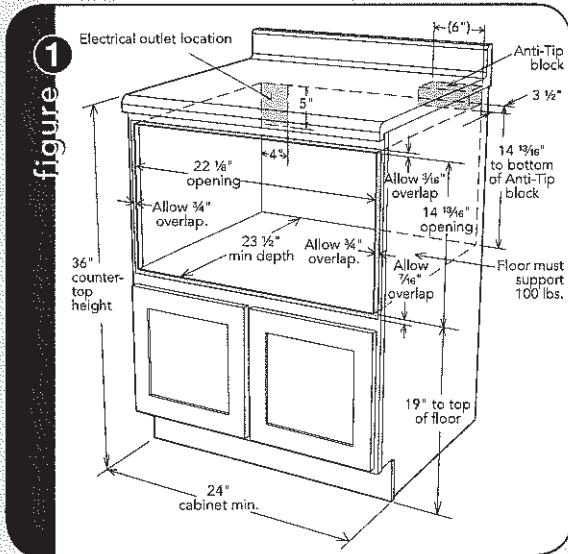


DrawerMicro Oven Measurements

Clearances and Dimensions



DRAWERMICRO OVEN MEASUREMENTS: Figures 1 and 2 contain many DrawerMicro Oven measurements for reference when planning the drawer's location which can be installed below any electric or gas wall oven. It can also be installed using an electrical outlet in an adjacent cabinet within the area where the provided electrical cord can reach. Power cord access hole in cabinet should be a minimum 1 1/2" diameter hole and deburred of all sharp edges.

IMPORTANT: Always allow sufficient power cord length to the electrical outlet to prevent tension.

DO NOT USE AN EXTENSION CORD. If the power supply cord is too short, have a qualified electrician or serviceman install an outlet near the appliance.

Always check electrical codes for requirements.

- Dimensions that are shown in figure 1 must be used. Given dimensions provide minimum clearance. Locate electrical outlet in the shaded area in the upper left-hand corner of the cutout. See figure 4.
- Contact surface must be solid and level. Pay special attention to the floor on which the appliance will sit. The floor of the opening should be constructed of plywood strong enough to support the weight of the oven (about 100 pounds).
- Check location where the DrawerMicro Oven will be installed for proper electrical supply.
- Your appliance can be built into a cabinet or wall by itself or under a gas or electric wall oven.
- Be sure that the clearance of the floor between the wall oven and the DrawerMicro Oven is a minimum of 2".
- The microwave interior will easily accommodate a 9" x 13" oblong dish or a bag of microwave popcorn.

Anti-Tip Block

NORMAL INSTALLATION STEPS

Anti-Tip Block Installation Instructions

- To reduce the risk of tipping of the drawer, the Anti-Tip block must be properly installed located 14-13/16" above the floor on which the appliance will sit. The 6" Anti-Tip block must be provided by the installer. See figure 1. The Anti-Tip block prevents serious injury that might result from spilled hot liquids.