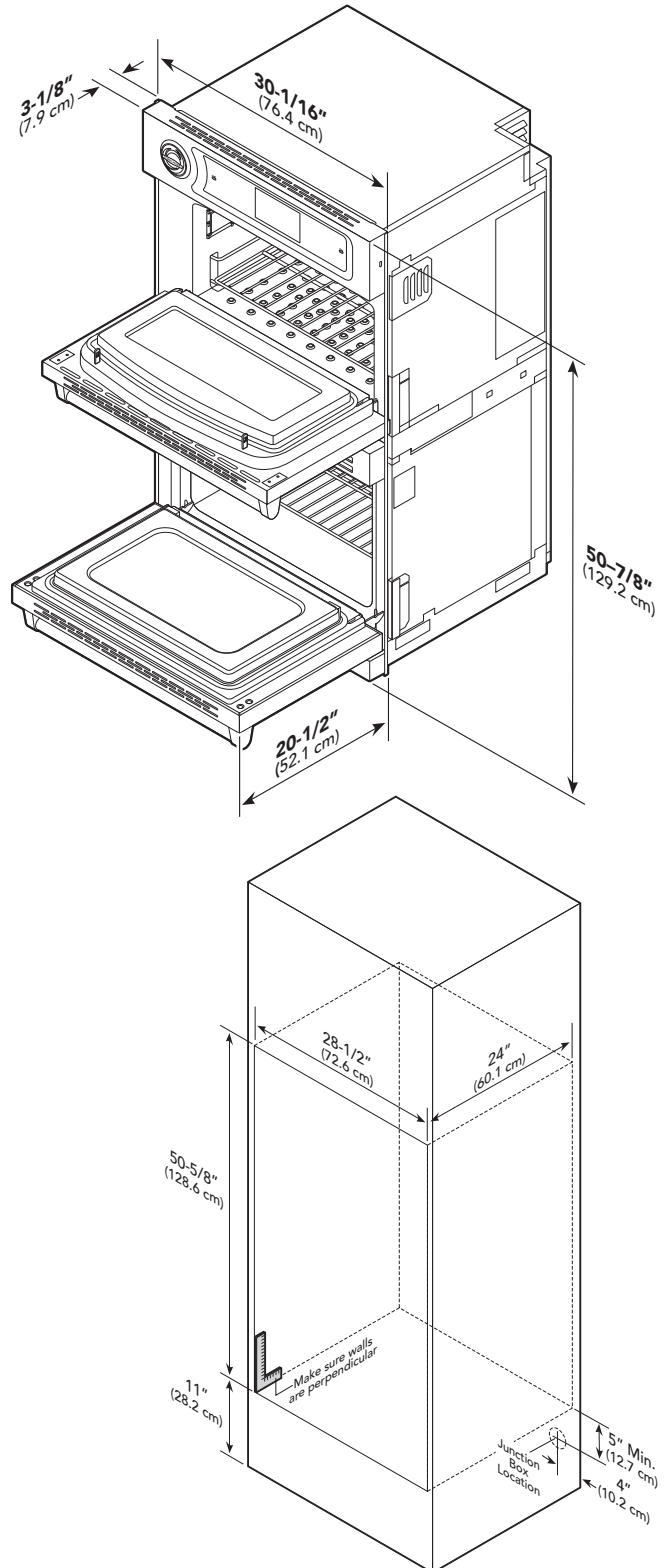


SPECS AND DIMENSIONS

PRODUCT DIMENSIONS	
Description	VDOT730
Product Width Outside Cabinet	30-1/6" (76.4 cm)
Product Height Outside Cabinet	50-7/8" (129.2 cm)
Product Depth Outside Cabinet	Cabinet to front of display/ doors: 3-1/8" (7.9 cm) with bottom door open: 20-1/2" (52.1 cm)
Cutout Width	28-1/2" (72.4 cm)
Cutout Height	50-5/8" (128.6 cm)
Cutout Depth	24" (60.9 cm)
Electrical Requirements	4-wire ground, 240VAC, 50 amp electrical connection. Unit is equipped with No. 10 ground wire in conduit. Should be fused separately.
Max. Amp Usage	45.0 amps – 208* or 240 voltage
Oven Interior Width	24" (61.0 cm)
Oven Interior Height	Upper Oven: 12" (30.5 cm) Lower Oven: 15-1/2" (39.4 cm)
Oven Interior Depth	Upper Oven: 15-3/8" (39.1 cm) Lower Oven: 17-1/2" (44.5 cm)
Oven Volume (Overall AHAM)	Upper Oven: 2.5 cu. ft Lower Oven: 3.8 cu. ft.
Approximate Shipping Weight	490 lbs. (223 kg)



Please do not prepare installation from brochure data only. See installation instructions for important clearance/installation information.

*For 208V applications – please order model LVDOT730