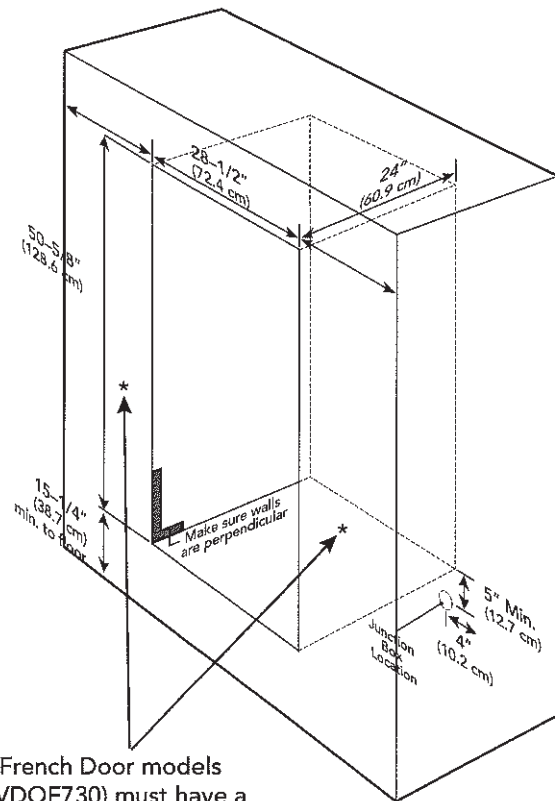
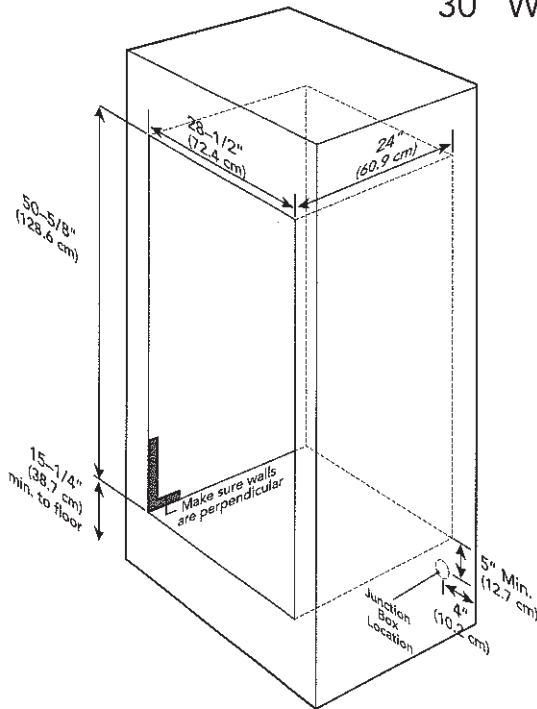


Cutout Dimensions—Double Oven

(For Flush mount cutout dimensions - Refer to pages 16 - 23)

Note: A minimum of 2" (5.1 cm) spacing above and below the oven to any adjacent appliances such as a microwave or warming drawer is required for ventilation purposes.

30" Wide Built-In



*French Door models (VDOF730) must have a minimum of 18" (45.7 cm) clearance on both sides to allow for door swing.

Note: Failure to adhere to the instruction may result in personal injury or damage to the wall or cabinet when doors are fully open.