

24" Custom Panel Dishwasher

300 Series – Custom Panel SHVM63W53N



SHVM63W53N
Custom Panel

The 3rd rack provides the perfect space for silverware and large utensils while its V shape leaves room below for taller items.

Features & Benefits

44 dBA: Quietest dishwasher brand in North America.*

A 3rd rack adds versatility and offers 30% more loading area.

FlexSpace™ Tines fold back to fit your larger pots & pans.

RackMatic® offers 3 height levels, for 9 possible rack positions.

Speed60® gets your dishes dirty to dry in about an hour.

*Based on an average of sound ratings of 24" Full Size Stainless Steel Tub dishwashers contained in major brands US & Canadian websites. Major brands defined as TraQline Top 5 Market Share (US & Canada) December 2016.



General Properties	
Number of wash cycles	5
Number of options	4
dBA	44
Third rack	Standard 3rd Rack
Rack adjustability	Rackmatic®
Tub material	Stainless Steel
Control type	Buttons
Concealed heating element	Yes
Leak protection system	24/7 AquaStop®
Water softener	No
Five-level wash	Yes
ChildLock	No
Special features	InfoLight®, Extra Dry Option

Efficiency	
Water usage per cycle	3.5
Energy efficiency class	Tier 1
ENERGY STAR® qualified	Yes
Total annual energy consumption (kWh)	269
Total annual water consumption (g)	623.5

Capacity	
Number of place settings	16



Technical Details	
Watts (W)	1440 W
Current (A)	12 Amps
Volts (V)	120 V
Frequency (Hz)	60 Hz
Power cord length	N/A
Minimum water pressure (lb/sin)	14
Length outlet hose (in)	79"

Dimensions & Weight	
Overall appliance dimensions (HxWxD) (in)	33 7/8" x 23 9/16" x 23 1/16"
Required cutout size (HxWxD) (in)	33 7/8" x 23 5/8" x 24"
Adjustable feet	Yes
Net weight (lbs)	88 lbs

Accessories—Optional	
Drain Hose Extension Kit	SGZ1010UC
Stainless Steel Door with Stainless Steel Straight Bosch Bar Handle	SHZ1008UC
Stainless Steel Straight Bosch Bar Handle	SMZ1007UC
Dishwasher Accessory Kit	SMZ5000
Anti-Tarnish Silverware Cassette	SMZ5002UC
Power Cord with Cold Plug	SMZPC002UC

For help and assistance with Bosch accessories please visit: www.bosch-eshop.com/eshop/bosch/us or call 1-800-944-2904 Mon-Fri 5am to 6pm PST Sat 6am to 3pm PST

Notes: All height, width and depth dimensions are shown in inches. BSH reserves the absolute and unrestricted right to change product materials and specifications, at any time, without notice. Consult the product's installation instructions for final dimensional data and other details prior to making cutout. Applicable product warranty can be found in accompanying product literature or you may contact your account manager for further details.

Warranties: Bosch warrants that the Product is free from defects in materials and workmanship for a period of three hundred and sixty-five (365) days from the date of purchase. The foregoing timeline begins to run upon the date of purchase, and shall not be stalled, tolled, extended, or suspended, for any reason whatsoever. This Product is also warranted to be free from cosmetic defects in material and workmanship (such as scratches of stainless steel, paint/porcelain blemishes, chip, dents, or other damage) to the finish of the Product, for a period of thirty (30) days from the date of purchase or closing date for new construction. This cosmetic warranty excludes slight color variations due to inherent differences in painted and porcelain parts, as well as differences caused by kitchen lighting, product location, or other similar factors. This cosmetic warranty specifically excludes any display, floor, "As Is", or "B" stock appliances.

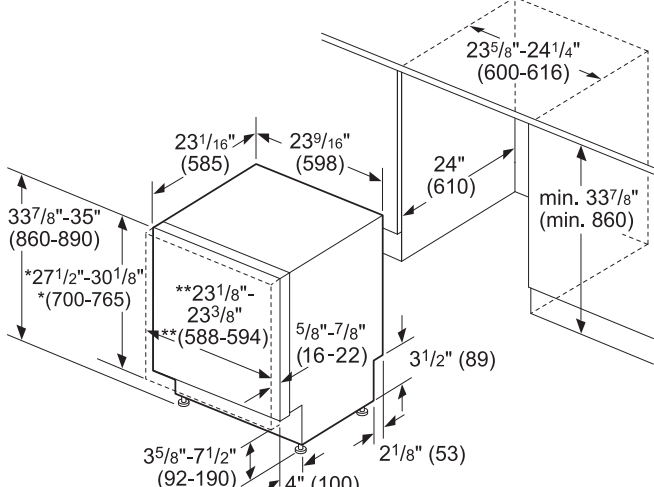
For more information on our entire line of products, go to www.bosch-home.com/us or call 1-800-944-2904

© BSH Home Appliances Corporation. All rights reserved. Bosch is a registered trademark of Robert Bosch GmbH.

24" Custom Panel Dishwasher

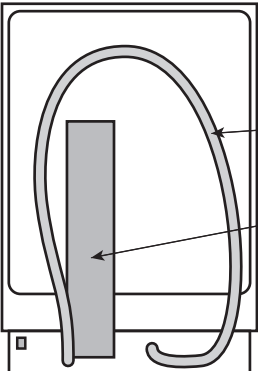
300 Series – Custom Panel SHVM63W53N

Installation Details



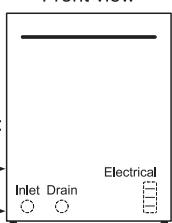
$23\frac{5}{8}"$ - $24\frac{1}{4}"$ (600-616)
 $23\frac{1}{16}"$ (585) $23\frac{9}{16}"$ (598)
 24" (610)
 $33\frac{7}{8}"$ - $35"$ (860-890)
 $27\frac{1}{2}"$ - $30\frac{1}{8}"$ (700-765)
 $23\frac{1}{8}"$ - $23\frac{3}{8}"$ (588-594)
 $5\frac{1}{8}"$ - $7\frac{1}{8}"$ (16-22)
 min. $33\frac{7}{8}"$ (min. 860)
 $3\frac{5}{8}"$ - $7\frac{1}{2}"$ (92-190)
 $3\frac{1}{2}"$ (89)
 $2\frac{1}{8}"$ (53)
 4" (100)

* measured from the bottom edge of the countertop panel thickness recommended $\frac{3}{4}"$ (20 mm).
 This dishwasher can accept custom door panel weights ranging from 7 to 24 lbs; however, the dishwasher comes from the factory ready for custom panel door weights from 11 to 18 lbs.
 If you plan on using a door panel that is not 11 to 18 lbs. please contact customer service at (800) 944-2904.
 ** 24" (610 mm) wide panel may be used depending on cabinet design
 Note: Refer to installation template for mounting hardware locations measurements in inches (mm)



Included:

- Pre-connected drain hose
- Toe-kick
- Power cord with junction box

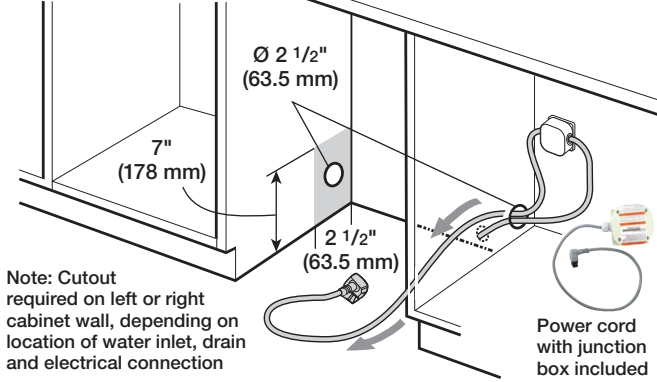


Front view

Drain hose: $67"$ (175 cm)
 Drain hose: $63"$ (160 cm)
 Electrical junction box: $25\frac{1}{2}"$ (65 cm)
 Electrical junction box: $43\frac{1}{2}"$ (110 cm)

Inlet Drain Electrical

All connections are at the rear of the appliance.
 Extension for drain hose available as accessory.
 Power cord for connection to electrical outlet (3-prong plug) available as accessory.

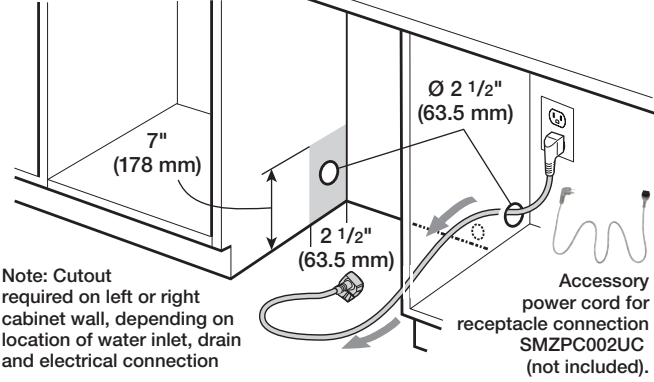


$\text{Ø } 2\frac{1}{2}"$ (63.5 mm)
 7" (178 mm)
 $2\frac{1}{2}"$ (63.5 mm)

Note: Cutout required on left or right cabinet wall, depending on location of water inlet, drain and electrical connection

Power cord with junction box included

Example of Hardwire Installation



$\text{Ø } 2\frac{1}{2}"$ (63.5 mm)
 7" (178 mm)
 $2\frac{1}{2}"$ (63.5 mm)

Note: Cutout required on left or right cabinet wall, depending on location of water inlet, drain and electrical connection

Accessory power cord for receptacle connection SMZPC002UC (not included).

Example of an Electrical Receptacle Installation

For help and assistance with Bosch accessories please visit: www.bosch-eshop.com/eshop/bosch/us or call 1-800-944-2904 Mon-Fri 5am to 6pm PST Sat 6am to 3pm PST

Notes: All height, width and depth dimensions are shown in inches. BSH reserves the absolute and unrestricted right to change product materials and specifications, at any time, without notice. Consult the product's installation instructions for final dimensional data and other details prior to making cutout. Applicable product warranty can be found in accompanying product literature or you may contact your account manager for further details.

Warranties: Bosch warrants that the Product is free from defects in materials and workmanship for a period of three hundred and sixty-five (365) days from the date of purchase. The foregoing timeline begins to run upon the date of purchase, and shall not be stalled, tolled, extended, or suspended, for any reason whatsoever. This Product is also warranted to be free from cosmetic defects in material and workmanship (such as scratches of stainless steel, paint/porcelain blemishes, chip, dents, or other damage) to the finish of the Product, for a period of thirty (30) days from the date of purchase or closing date for new construction. This cosmetic warranty excludes slight color variations due to inherent differences in painted and porcelain parts, as well as differences caused by kitchen lighting, product location, or other similar factors. This cosmetic warranty specifically excludes any display, floor, "As Is", or "B" stock appliances.

For more information on our entire line of products, go to www.bosch-home.com/us or call 1-800-944-2904

© BSH Home Appliances Corporation. All rights reserved. Bosch is a registered trademark of Robert Bosch GmbH.

24" Custom Panel Dishwasher

300 Series – Custom Panel SHVM63W53N

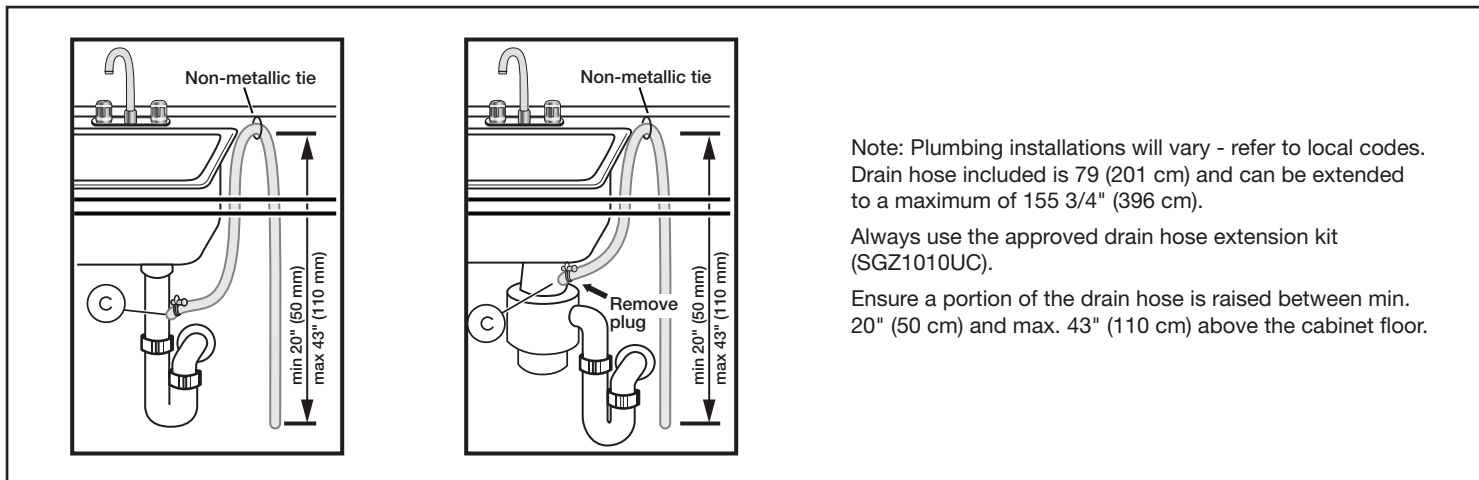


BOSCH

Invented for life



Installation Details



For help and assistance with Bosch accessories please visit: www.bosch-eshop.com/eshop/bosch/us or call 1-800-944-2904 Mon-Fri 5am to 6pm PST Sat 6am to 3pm PST

Notes: All height, width and depth dimensions are shown in inches. BSH reserves the absolute and unrestricted right to change product materials and specifications, at any time, without notice. Consult the product's installation instructions for final dimensional data and other details prior to making cutout. Applicable product warranty can be found in accompanying product literature or you may contact your account manager for further details.

Warranties: Bosch warrants that the Product is free from defects in materials and workmanship for a period of three hundred and sixty-five (365) days from the date of purchase. The foregoing timeline begins to run upon the date of purchase, and shall not be stalled, tolled, extended, or suspended, for any reason whatsoever. This Product is also warranted to be free from cosmetic defects in material and workmanship (such as scratches of stainless steel, paint/porcelain blemishes, chip, dents, or other damage) to the finish of the Product, for a period of thirty (30) days from the date of purchase or closing date for new construction. This cosmetic warranty excludes slight color variations due to inherent differences in painted and porcelain parts, as well as differences caused by kitchen lighting, product location, or other similar factors. This cosmetic warranty specifically excludes any display, floor, "As Is", or "B" stock appliances.

For more information on our entire line of products, go to www.bosch-home.com/us or call 1-800-944-2904

© BSH Home Appliances Corporation. All rights reserved. Bosch is a registered trademark of Robert Bosch GmbH.

05/17