

**SHARP** | Simply Better Living

MICROWAVE DRAWER™

**SMD2470AS**

1.2  
CU.FT.

950  
WATTS

Easy Touch automatic drawer system smoothly opens and enables hands-free close

Convenient kitchen placement allows for easier cooking, saves prep and clean up time

Concealed control panel opens to an easy-to-read and operate 45° angle

Cooking space large enough for a 4 qt casserole dish or a 20 oz beverage

Cooking performance from one of the most trusted brands in microwaves



## DESIGNED FOR YOUR DREAM KITCHEN

It's your kitchen, your design and your lifestyle. Sharp's Microwave Drawer™ Oven allows you to focus on the design elements you prefer by removing the microwave from sight-lines and enabling more design versatility than typical built-in, over-the-range or countertop microwaves. The Microwave Drawer™ offers flexible placement options below an island, peninsula, or standard cabinetry, and can also be installed adjacent to your wall oven. The Microwave Drawer™ allows you to showcase your design savvy and create a kitchen that flows with your lifestyle.

The Sharp Microwave Drawer™ Oven boasts an easy-to-read display that disappears until you need it. The concealed control panel opens at a 45-degree angle, so it's easy to read and operate. Sharp's exclusive Easy Touch Automatic Drawer system eases open with the touch of a button. Give the drawer a small nudge and it smoothly shuts for you. The even, gliding action and solid construction helps prevent liquids from spilling during opening and closing.



1.2 cu. capacity large enough for a 4-qt casserole dish and tall enough for a large, 20 oz. beverage cup. (Installed in a kitchen island)



Cooking and cleaning is made easier by putting the microwave at an accessible height. (Installed under a counter)



Designed to complement the widest range of kitchen styles and appliances, including our SuperSteam+. (Paired with a built-in wall oven)

SHARP ELECTRONICS CORPORATION  
100 Paragon Drive, Montvale NJ, 07645  
1.800.237.4277 • www.sharppusa.com

**SHARP**  
Be Original.

# SHARP | Simply Better Living

MICROWAVE DRAWER™

## SMD2470AS



## SPECIFICATIONS

### FEATURES

Finish	Stainless Steel
Drawer Opening	Easy Touch Automatic
Capacity*	1.2 cu. ft. (holds 9" x 13" dish)
Output Power	950 watts
Sensor Cook, Reheat and Popcorn	Yes, 12 settings
Reheat Auto Settings	2 settings
Defrost Auto Settings	6 settings
Microwave Keep Warm Setting	Yes, up to 30 minutes
Clock	Yes
Minute Plus™	Yes
Interior Oven Light	Yes
Kitchen Timer	Yes
Control Lock	Yes
Demonstration Mode	Yes
Built-In Ready for Easy Installation	Yes

### CONTROL PANEL

Control Panel Location	Center/Top
Control Panel Type	Touchpad, Drop-Down 45° Angle
Display Type	LCD
Display Color	White on Black Background

### OPTIONAL ACCESSORY

24" Flush Mount Deflector Vent	SKMD24F0AS
Flush Mount Deflector Vent Kit	(1) PREF-B019MRPO (2) LX-CZB055MRE0

### ADDITIONAL SPECIFICATIONS

Power Connection:	3-Prong Grounding Plug (included)
Power Ratings:	120V, 60Hz / 1.67kW, 14.5 Amps
Safety Compliance:	FCC, DHHS, UL listed

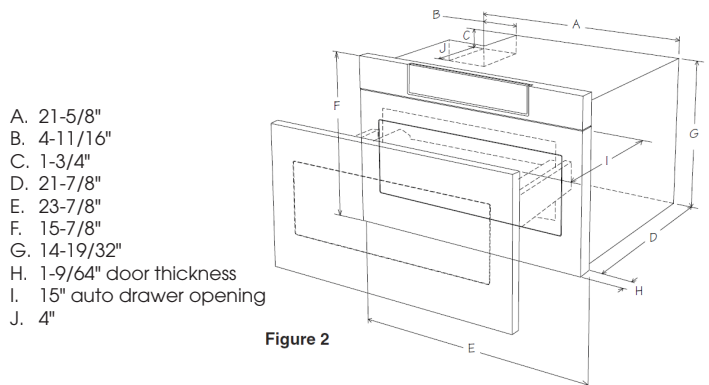
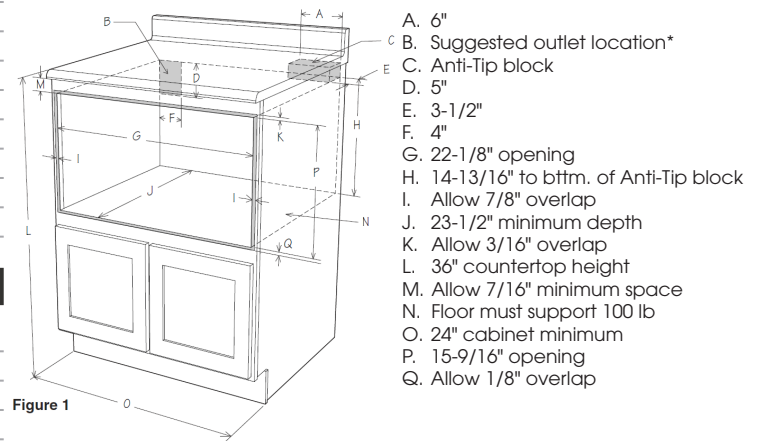
### DIMENSIONS & WEIGHT (in./lbs.) (w x h x d)

Cutout Dimensions:	22 1/8" x 15 9/16" x 23 1/2"
Dimensions:	23 7/8" x 15 7/8" x 23 1/64"
Shipping Weight (lbs.):	86
Product Weight (lbs.):	74

### WARRANTY/UPC

Parts	1 year
Labor	1 year
Magnetron Tube	5 years total (part only)
UPC	074000619371

### CLICK TO DOWNLOAD INSTALLATION GUIDE



Internal capacity calculated by measuring maximum width, depth and height. Actual capacity for holding food is less.

Product specifications and design are subject to change without notice.

© 2018 Sharp Electronics Corporation. All rights reserved.

Sharp, Microwave Drawer, Supersteam+, Healsio, Plasmacluster and all related trademarks are trademarks or registered trademarks of Sharp Corporation and/or its affiliated companies. All other trademarks are property of their respective owners.

QUESTIONS?

1.800.BE.SHARP

## SIMPLY BETTER LIVING

At Sharp Home Electronics Company of America, we are committed to Simply Better Living. Our innovative home appliance products are SIMPLE to use, BETTER than the competition, and encourage a HEALTHY LIFESTYLE.

SHARP ELECTRONICS CORPORATION  
100 Paragon Drive, Montvale NJ, 07645  
1.800.237.4277 • www.sharppusa.com



**SHARP**  
Be Original.