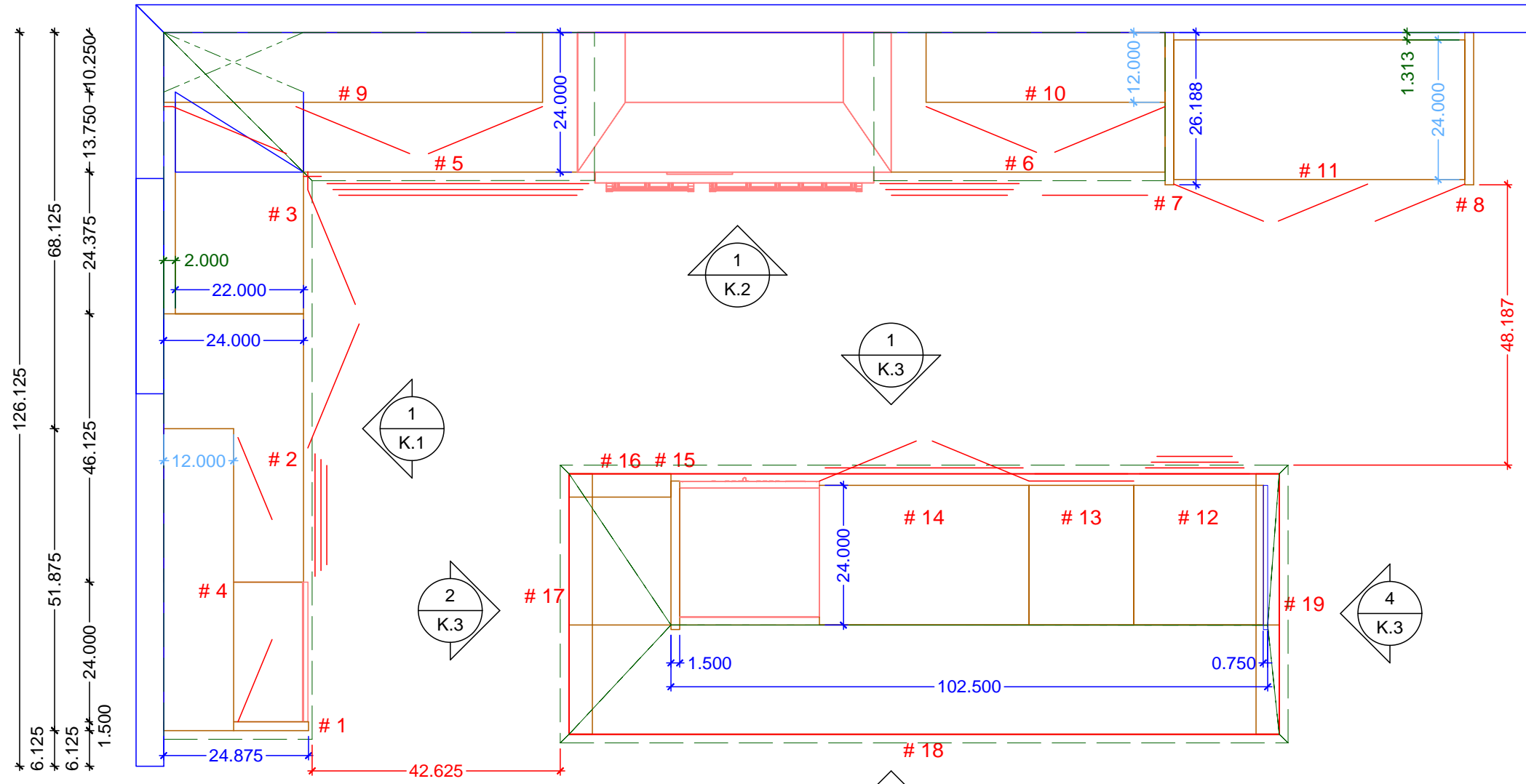
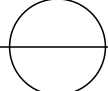


263.188  
 65.063 65.874 41.063 1.500 50.000 39.688  
 2.000 22.000 50.000 48.000 50.000 1.500 50.000 1.500 38.188



 KITCHEN CABINETRY FLOOR PLAN  
 SCALE: 1/2" = 1' 0"

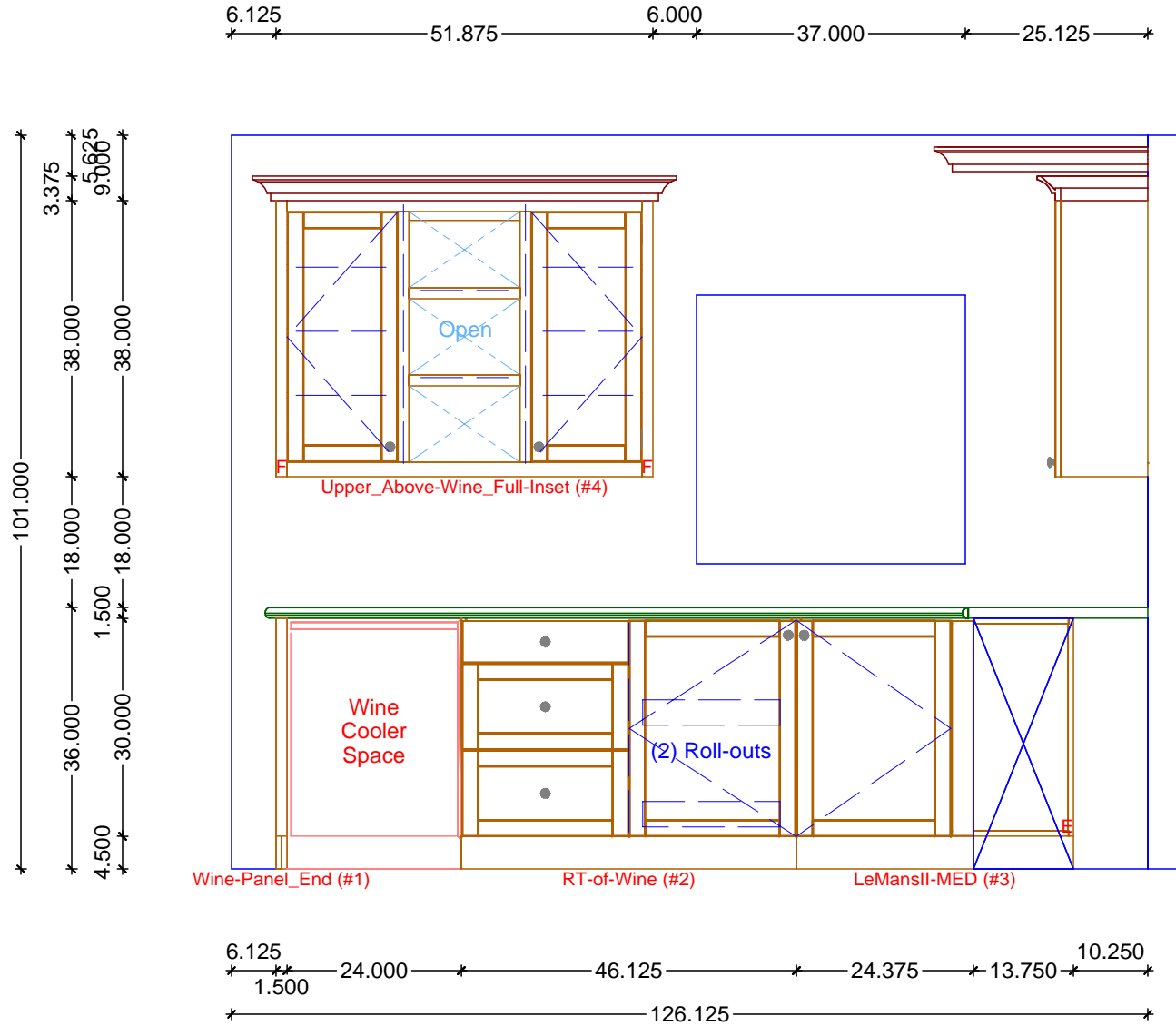
**Classic Bath Designs, Inc.**  
 11544 Sheldon St., Sun Valley, CA 91352  
 818.767.1144 fax: 818.767.1278

Cust: HFB for Manning  
 Approved \_\_\_\_\_

PO# DWELLING  
 Job: FL-S\_PreFIN/PG:perSample\_IntEB:PreFin

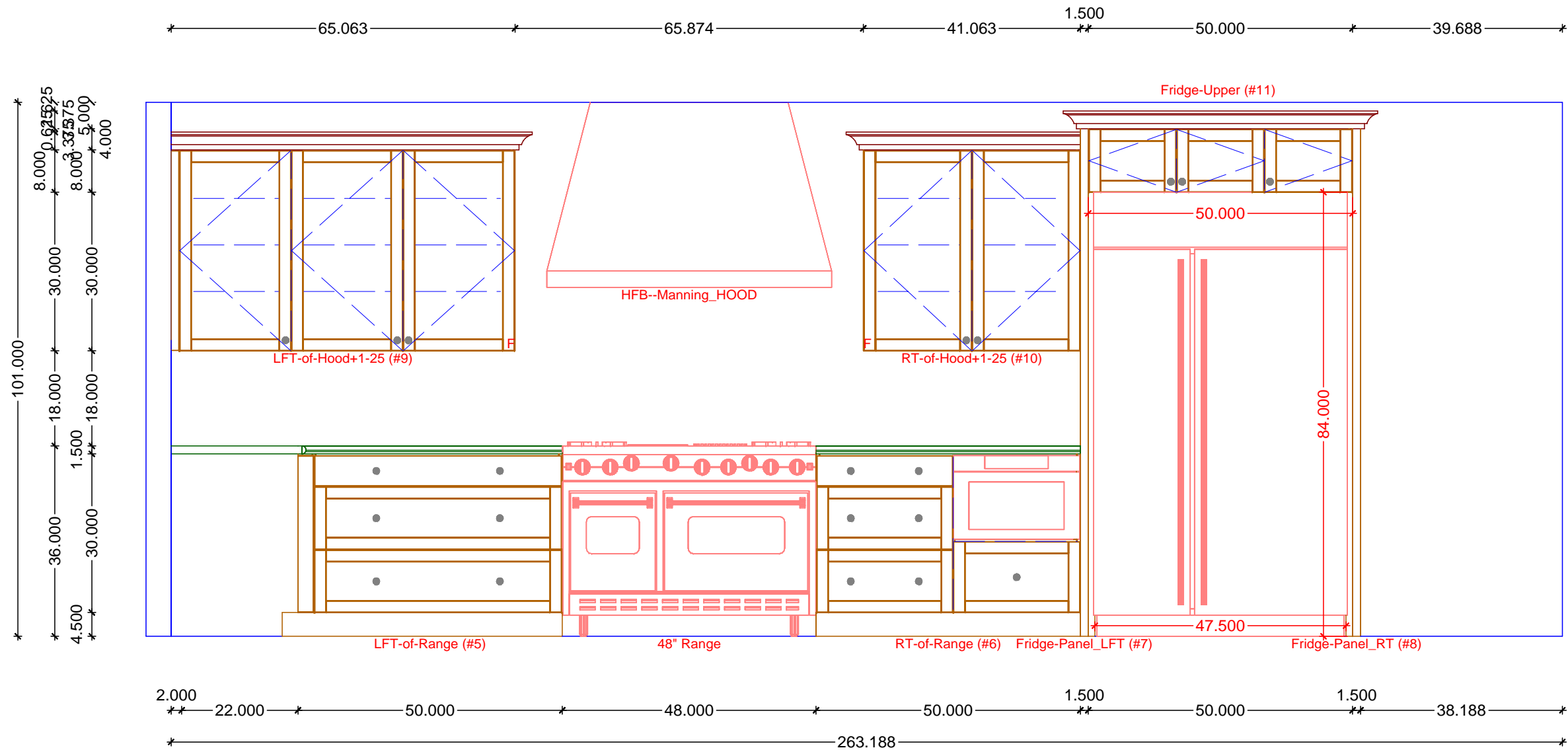
Scale: As Noted  
 Size: L  
 Dr By: Brian  
 03/27/2019

**K.0**

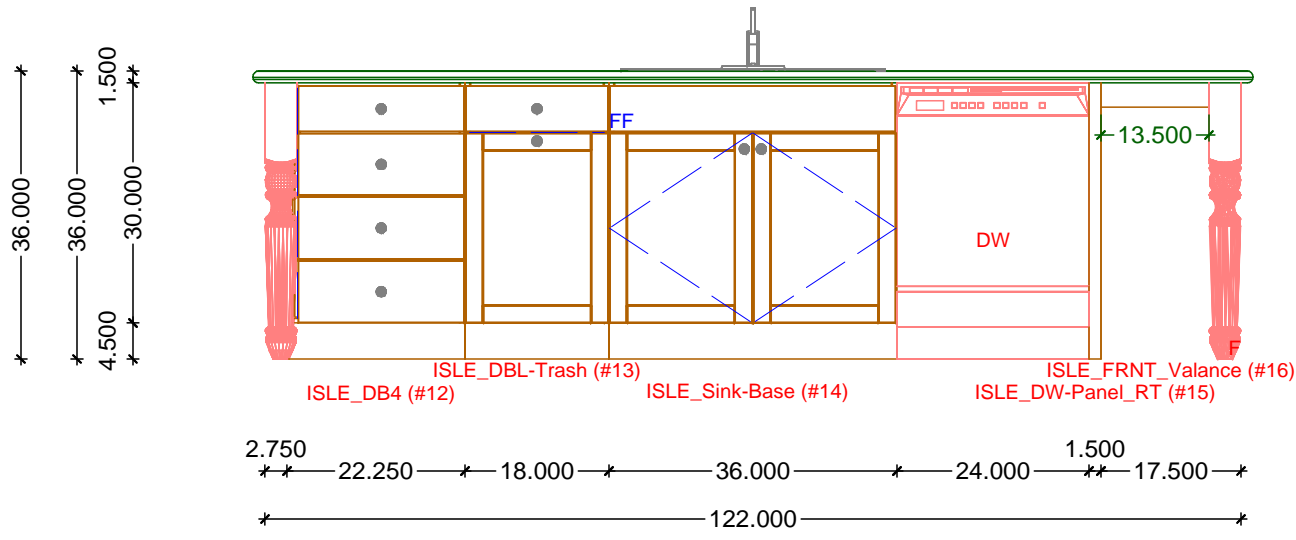


1 KITCHEN ELEVATION - WINE WALL  
SCALE: 1/2" = 1' 0"

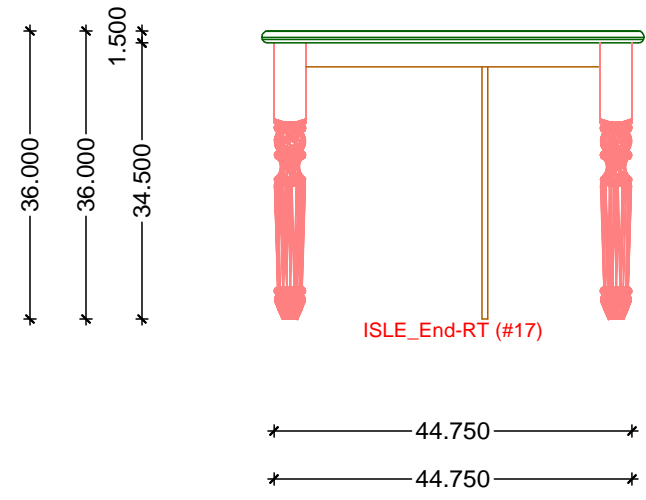




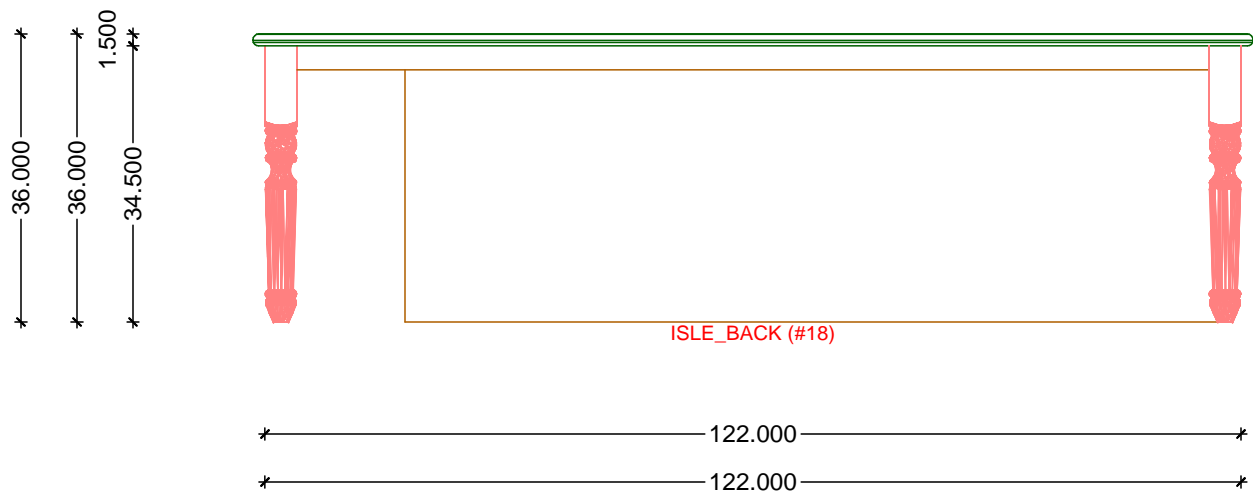
**1** KITCHEN ELEVATION - RANGE/FRIDGE WALL  
SCALE: 1/2" = 1' 0"



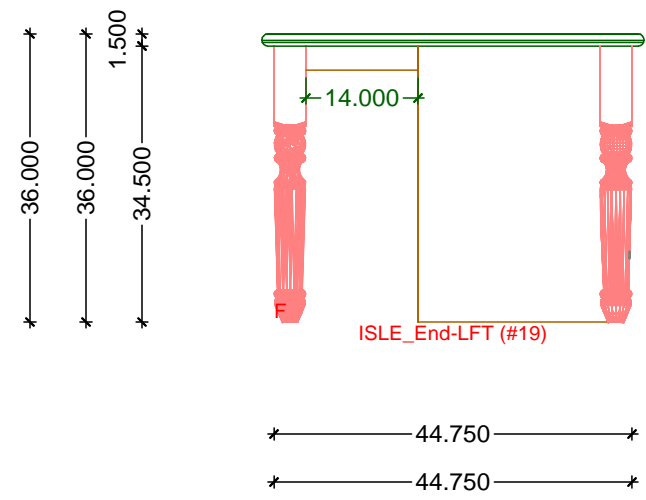
**1** KITCHEN ISLE ELEVATION - FRONT  
SCALE: 1/2" = 1' 0"



**2** KITCHEN ISLE ELEVATION - RIGHT END  
SCALE: 1/2" = 1' 0"



**3** KITCHEN ISLE ELEVATION - BACK  
SCALE: 1/2" = 1' 0"



**4** KITCHEN ISLE ELEVATION - LEFT END  
SCALE: 1/2" = 1' 0"



**Classic Bath Designs, Inc.**  
 11544 Sheldon St., Sun Valley, CA 91352  
 818.767.1144 fax: 818.767.1278



Cust: HFB for Manning

Approved \_\_\_\_\_

PO# DWELLING

Job: FL-S\_PreFIN/PG:perSample\_IntEB:PreFin

Scale: As Noted

Size: L

KITCHEN

Dr By: Brian

03/27/2019

Rndr



**Classic Bath Designs, Inc.**  
 11544 Sheldon St., Sun Valley, CA 91352  
 818.767.1144 fax: 818.767.1278



Cust: HFB for Manning

Approved \_\_\_\_\_

PO# DWELLING

Job: FL-S\_PreFIN/PG:perSample\_IntEB:PreFin

Scale: As Noted

Size: L

KITCHEN

Dr By: Brian

03/27/2019

Rndr





**Classic Bath Designs, Inc.**  
 11544 Sheldon St., Sun Valley, CA 91352  
 818.767.1144 fax: 818.767.1278



Cust: HFB for Manning

Approved \_\_\_\_\_

PO# DWELLING

Job: FL-S\_PreFIN/PG:perSample\_IntEB:PreFin

Scale: As Noted

Size: L

KITCHEN

Dr By: Brian

03/27/2019

Rndr