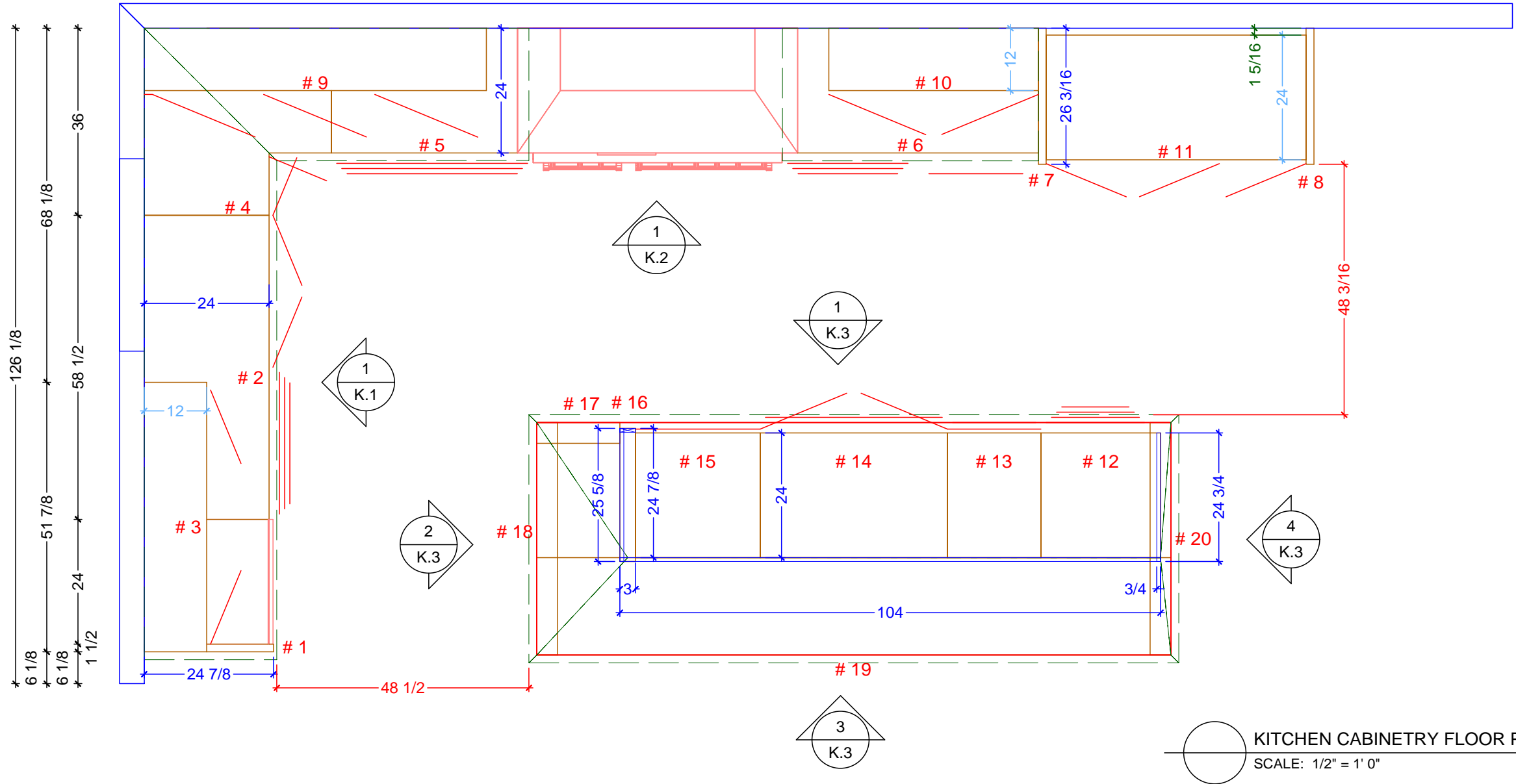
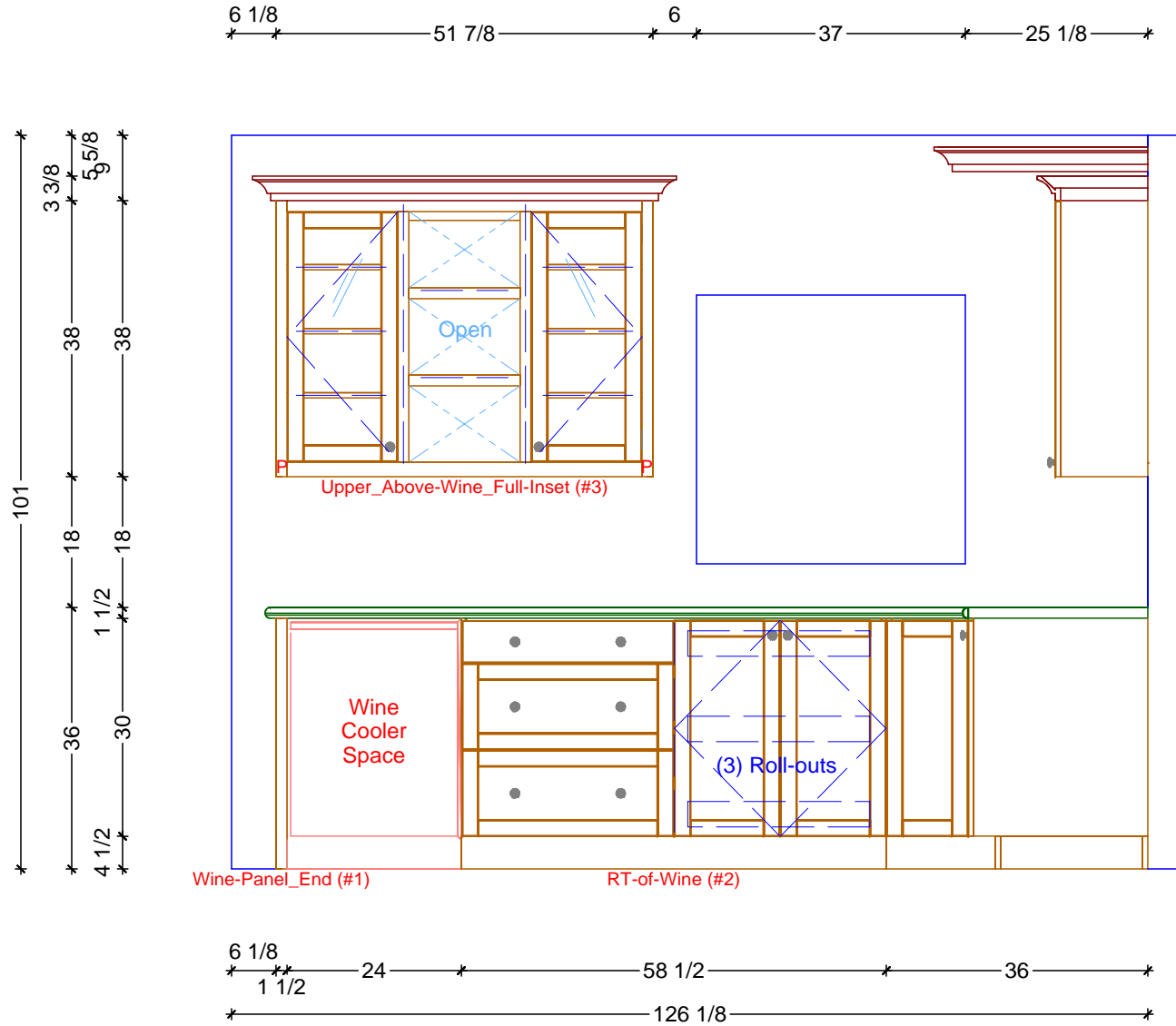
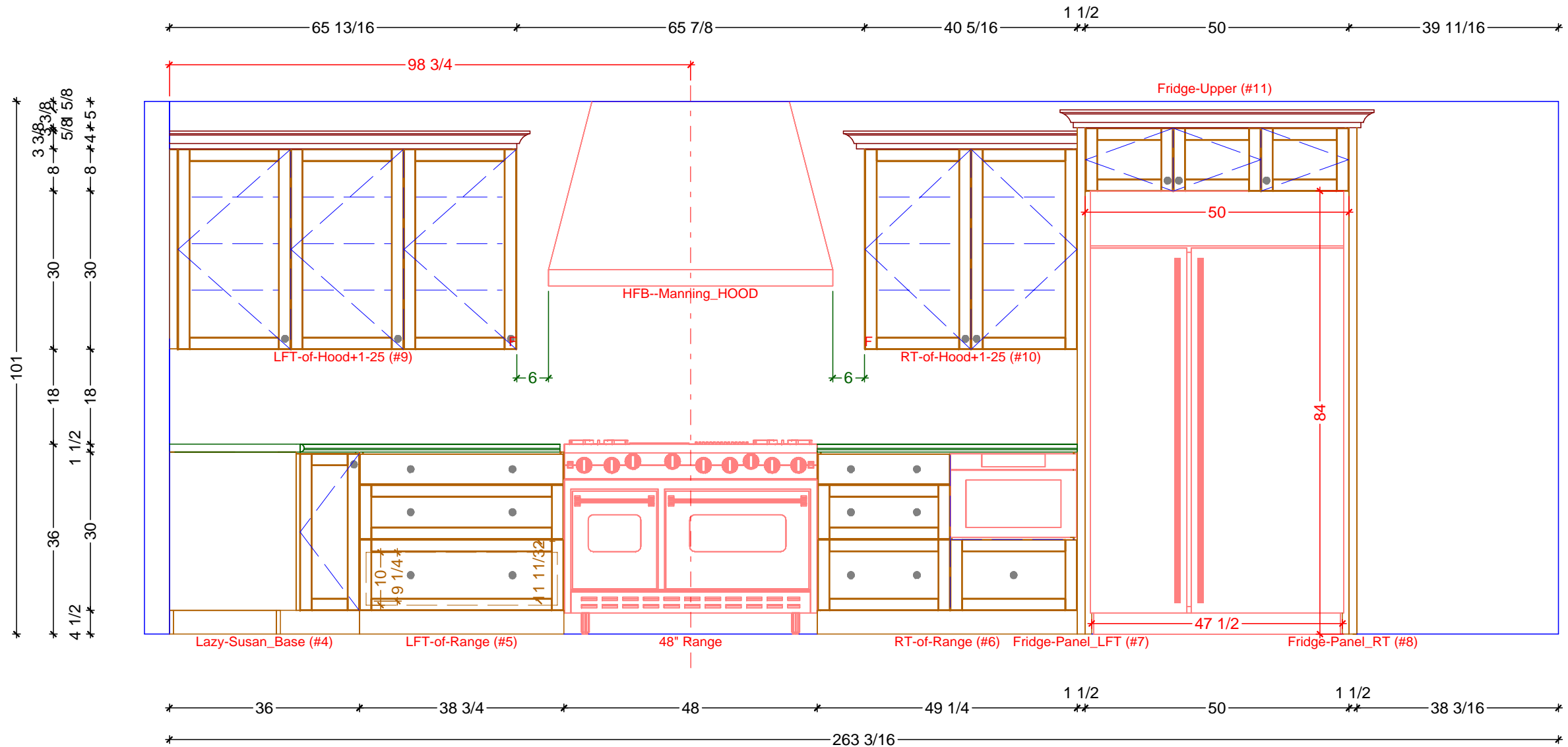


$263 \frac{3}{16}$   
 $65 \frac{13}{16}$     $65 \frac{7}{8}$     $40 \frac{5}{16}$     $1 \frac{1}{2}$   
 $36$     $38 \frac{3}{4}$     $48$     $49 \frac{1}{4}$     $50$     $39 \frac{11}{16}$   
 $1 \frac{1}{2}$     $1 \frac{1}{2}$     $50$     $1 \frac{1}{2}$     $38 \frac{3}{16}$



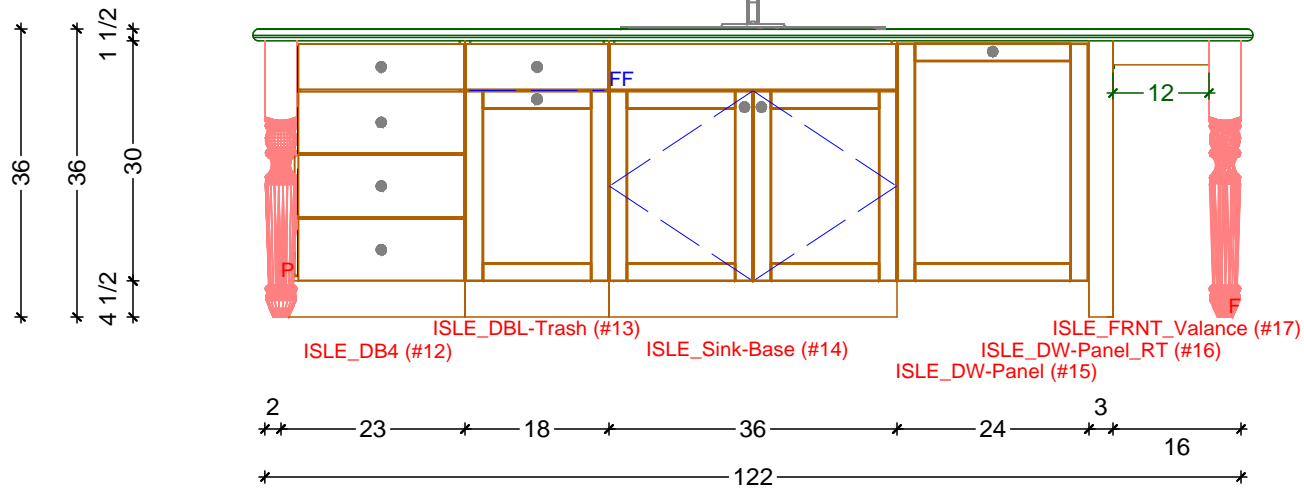


**1** KITCHEN ELEVATION - WINE WALL  
 SCALE: 1/2" = 1' 0"

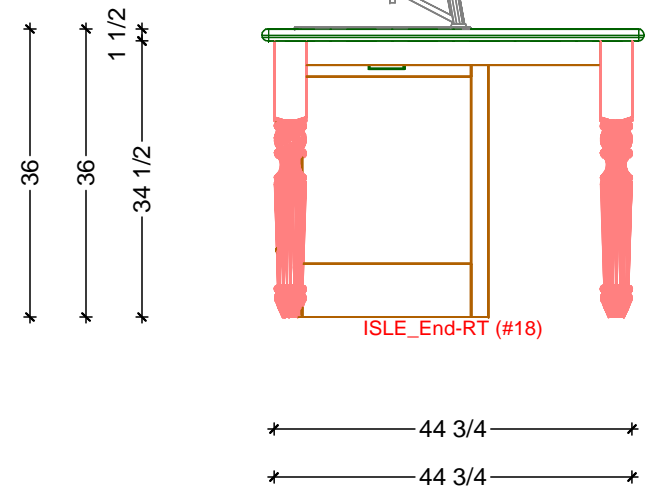


**1** KITCHEN ELEVATION - RANGE/FRIDGE WALL  
 SCALE: 1/2" = 1' 0"

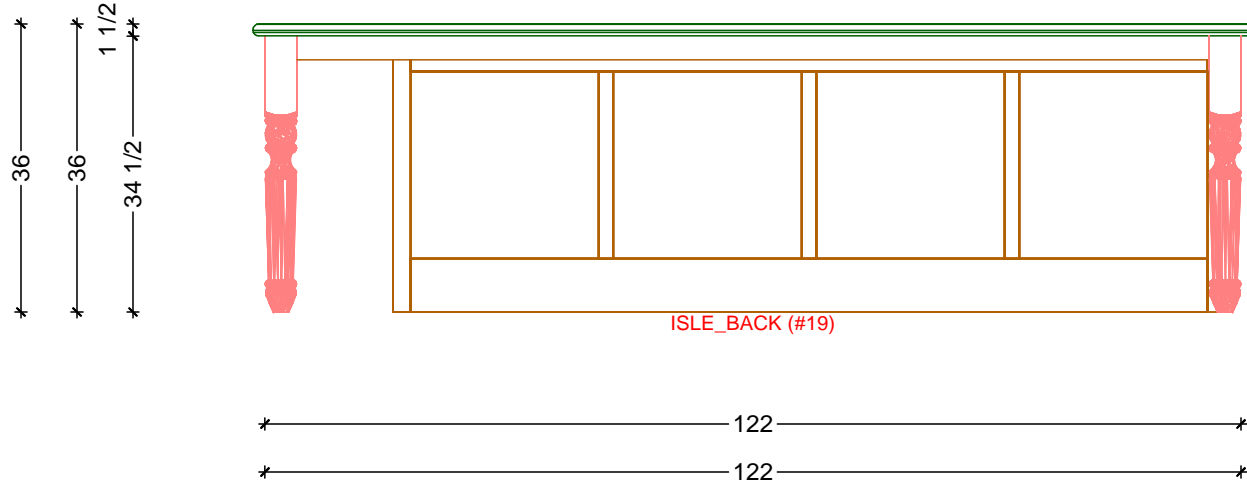




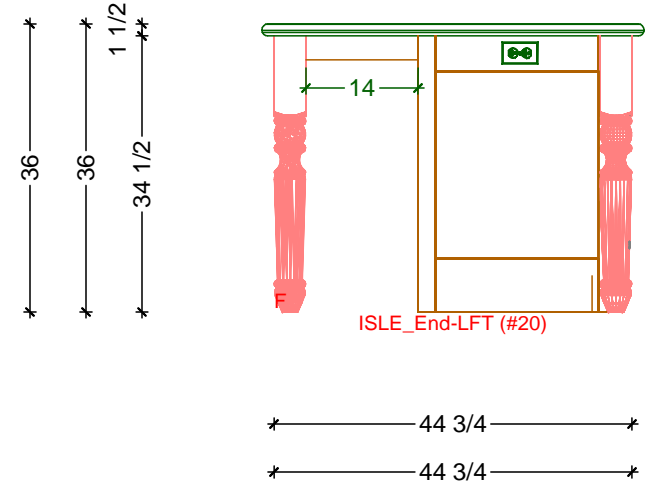
**1** KITCHEN ISLE ELEVATION - FRONT  
SCALE: 1/2" = 1' 0"



**2** KITCHEN ISLE ELEVATION - RIGHT END  
SCALE: 1/2" = 1' 0"



**3** KITCHEN ISLE ELEVATION - BACK  
SCALE: 1/2" = 1' 0"



**4** KITCHEN ISLE ELEVATION - LEFT END  
SCALE: 1/2" = 1' 0"



**Classic Bath Designs, Inc.**  
 11544 Sheldon St., Sun Valley, CA 91352  
 818.767.1144 fax: 818.767.1278



Cust: HFB for Manning  
 Approved \_\_\_\_\_

PO# DWELLING  
 Job: FL-S\_PreFIN/PG:perSample\_IntEB:PreFin

Scale: As Noted  
 Size: L

KITCHEN  
 Dr By: Brian  
 04/08/2019

Rndr



**Classic Bath Designs, Inc.**  
 11544 Sheldon St., Sun Valley, CA 91352  
 818.767.1144 fax: 818.767.1278



Cust: HFB for Manning

Approved \_\_\_\_\_

PO# DWELLING

Job: FL-S\_PreFIN/PG:perSample\_IntEB:PreFin

Scale: As Noted

Size: L

KITCHEN

Dr By: Brian

04/08/2019

Rndr



**Classic Bath Designs, Inc.**  
 11544 Sheldon St., Sun Valley, CA 91352  
 818.767.1144 fax: 818.767.1278



Cust: HFB for Manning

Approved \_\_\_\_\_

PO# DWELLING

Job: FL-S\_PreFIN/PG:perSample\_IntEB:PreFin

Scale: As Noted

Size: L

KITCHEN

Dr By: Brian

04/08/2019

Rndr