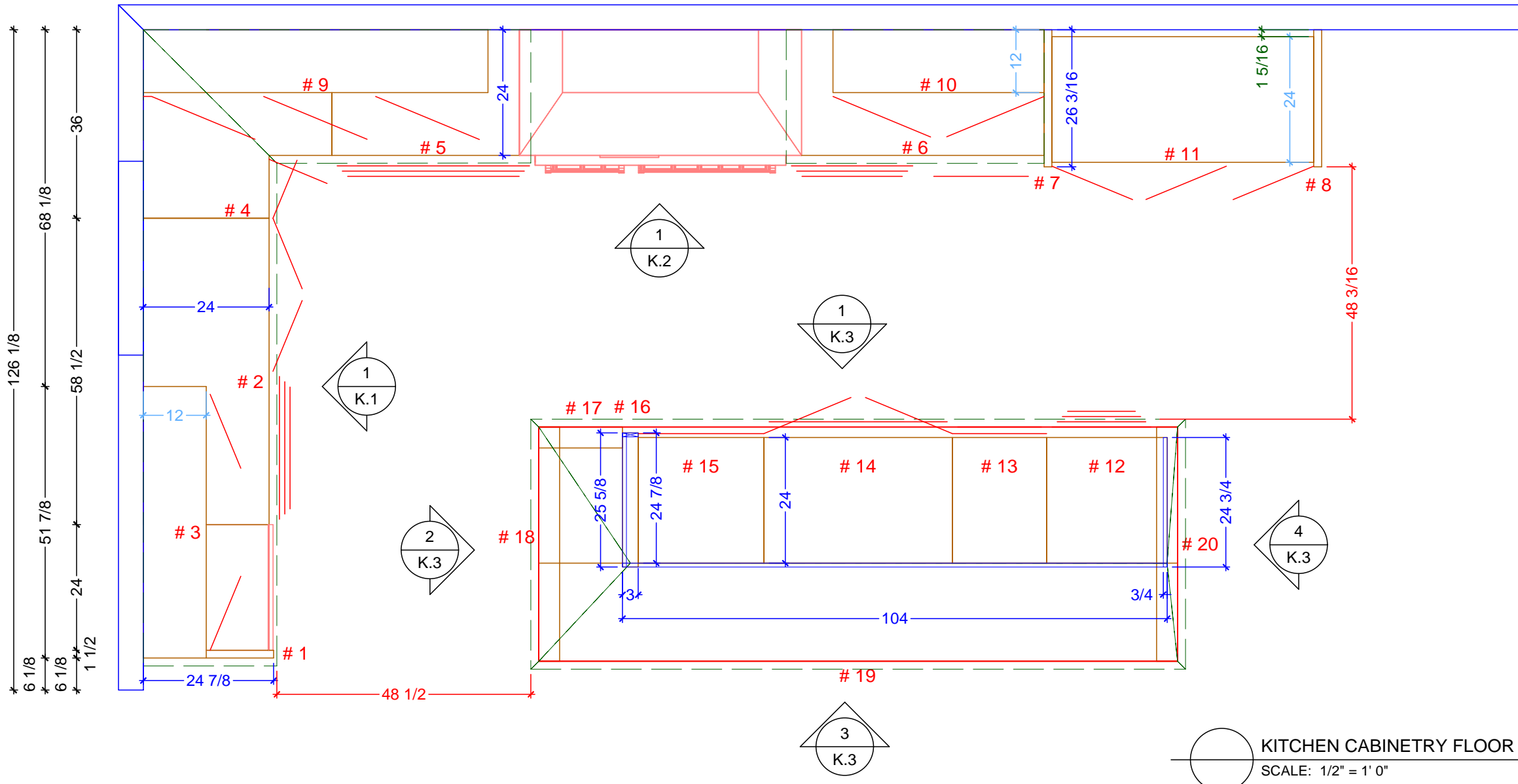


-----263 3/16-----
 -----65 13/16----------65 7/8-----*-----40 5/16-----1 1/2-----50-----*-----39 11/16-----*
 -----36----------38 3/4-----*-----48-----*-----49 1/4-----**-----50-----**-----38 3/16-----*



○ KITCHEN CABINETRY FLOOR PLAN
 SCALE: 1/2" = 1' 0"

Classic Bath Designs, Inc.
 11544 Sheldon St., Sun Valley, CA 91352
 818.767.1144 fax: 818.767.1278

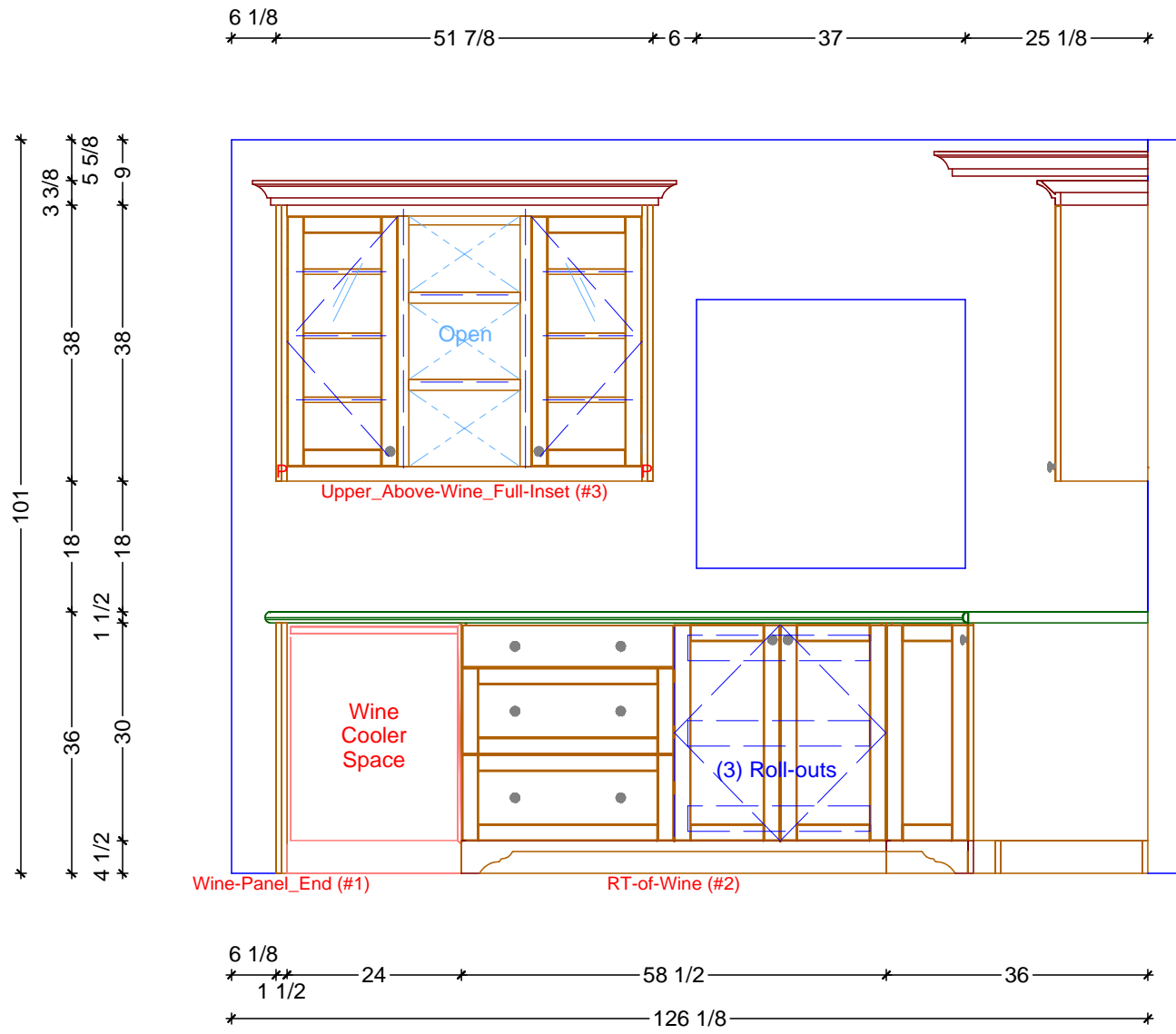
Cust: HFB for Manning
 Approved _____

PO# DWELLING
 Job: FL-S_PreFIN/PG:perSample_IntEB:PreFin

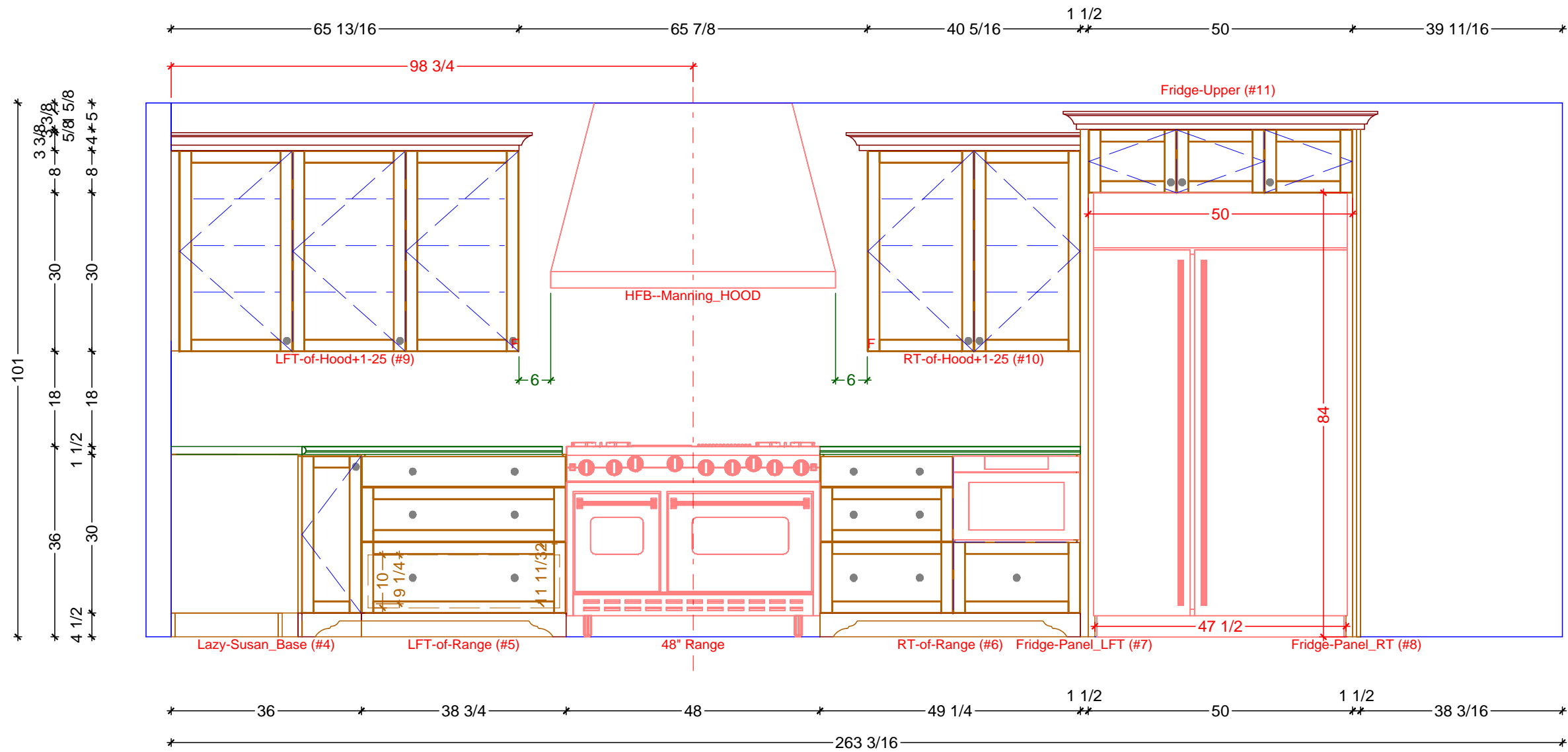
Scale: As Noted
 Size: L

KITCHEN
 Dr By: Brian
 04/09/2019

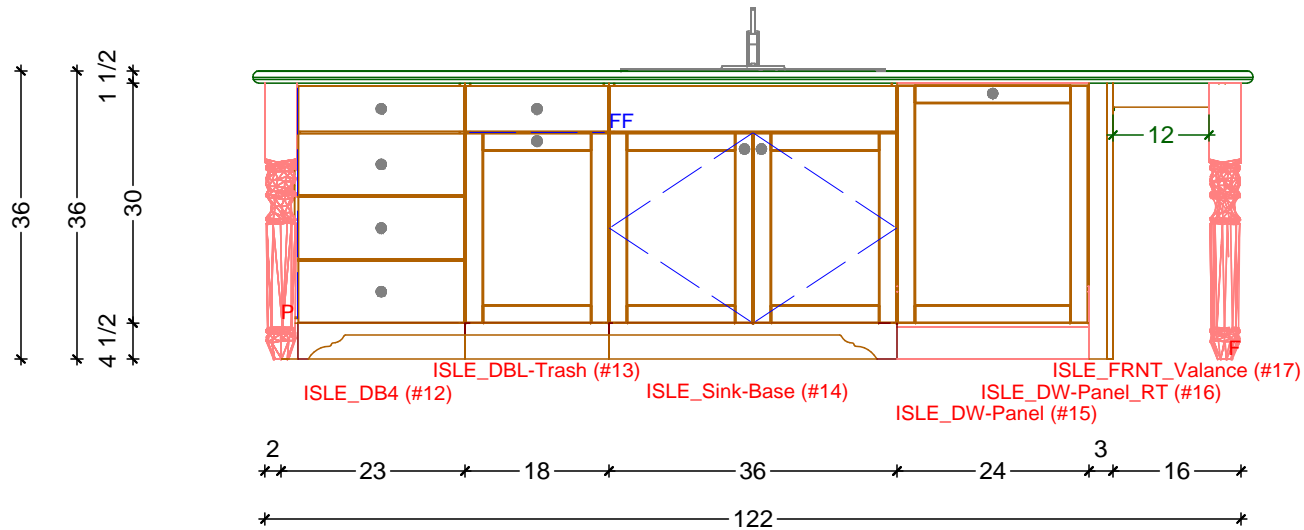
K.0



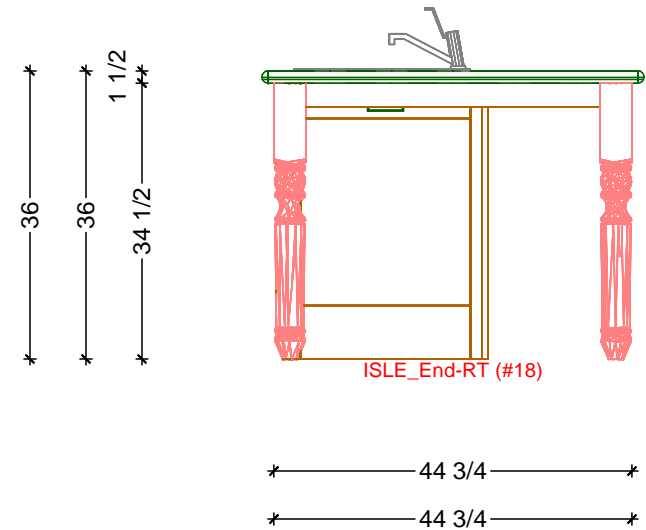
1 KITCHEN ELEVATION - WINE WALL
 SCALE: 1/2" = 1' 0"



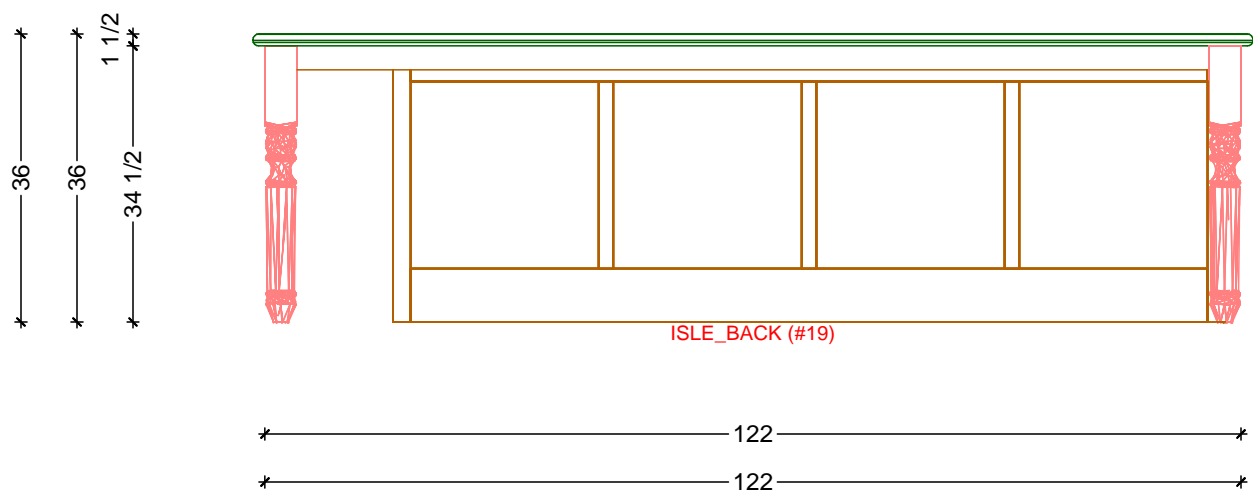
1 KITCHEN ELEVATION - RANGE/FRIDGE WALL
 SCALE: 1/2" = 1' 0"



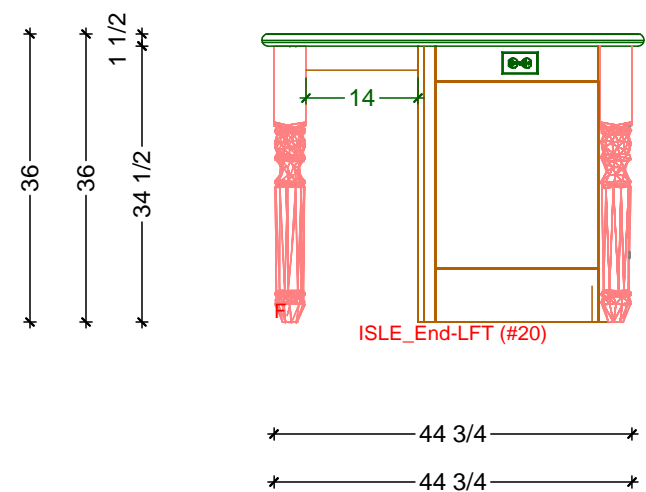
1 KITCHEN ISLE ELEVATION - FRONT
SCALE: 1/2" = 1' 0"



2 KITCHEN ISLE ELEVATION - RIGHT END
SCALE: 1/2" = 1' 0"



3 KITCHEN ISLE ELEVATION - BACK
SCALE: 1/2" = 1' 0"



4 KITCHEN ISLE ELEVATION - LEFT END
SCALE: 1/2" = 1' 0"



Classic Bath Designs, Inc.
 11544 Sheldon St., Sun Valley, CA 91352
 818.767.1144 fax: 818.767.1278



Cust: HFB for Manning
 Approved _____

PO# DWELLING
 Job: FL-S_PreFIN/PG:perSample_IntEB:PreFin

Scale: As Noted
Size: L

KITCHEN
 Dr By: Brian
 04/09/2019

Rndr



Classic Bath Designs, Inc.
 11544 Sheldon St., Sun Valley, CA 91352
 818.767.1144 fax: 818.767.1278



Cust: HFB for Manning

Approved _____

PO# DWELLING

Job: FL-S_PreFIN/PG:perSample_IntEB:PreFin

Scale: As Noted

Size: L

KITCHEN

Dr By: Brian

04/09/2019

Rndr



Classic Bath Designs, Inc.
 11544 Sheldon St., Sun Valley, CA 91352
 818.767.1144 fax: 818.767.1278



Cust: HFB for Manning

Approved _____

PO# DWELLING

Job: FL-S_PreFIN/PG:perSample_IntEB:PreFin

Scale: As Noted

Size: L

KITCHEN

Dr By: Brian

04/09/2019

Rndr