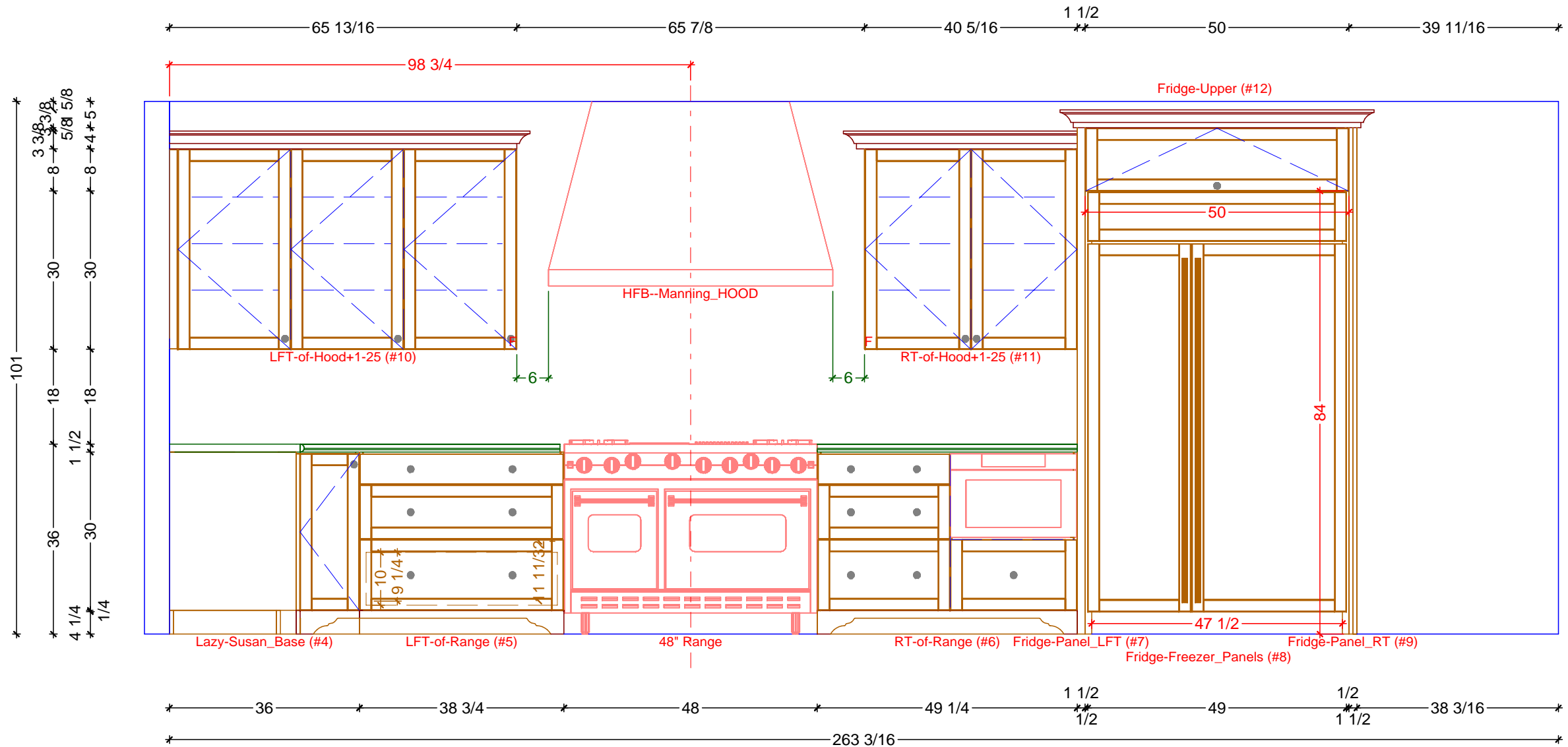
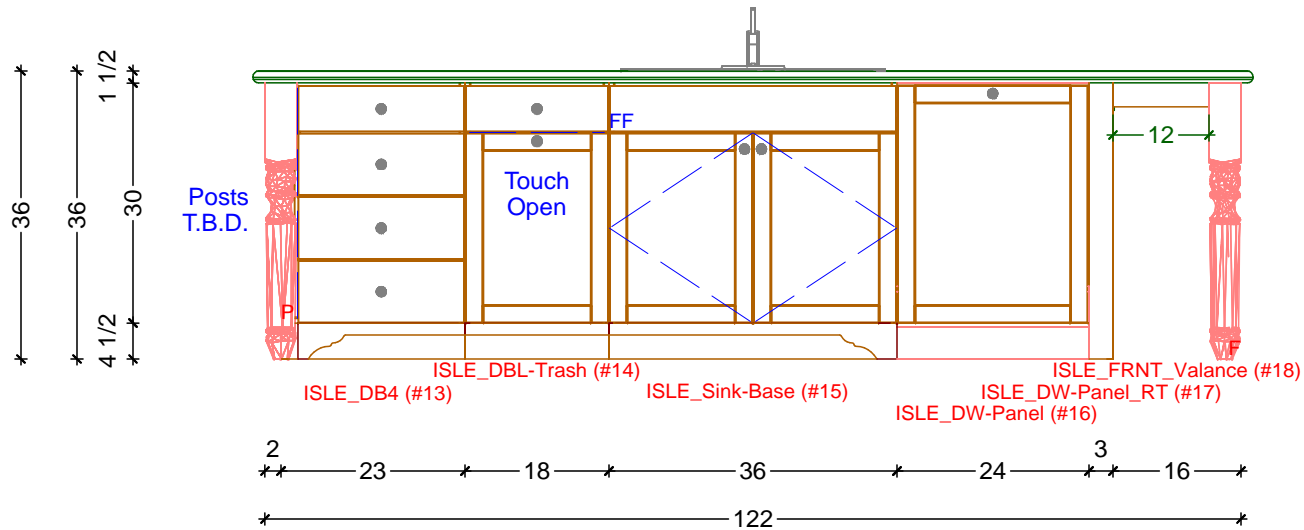


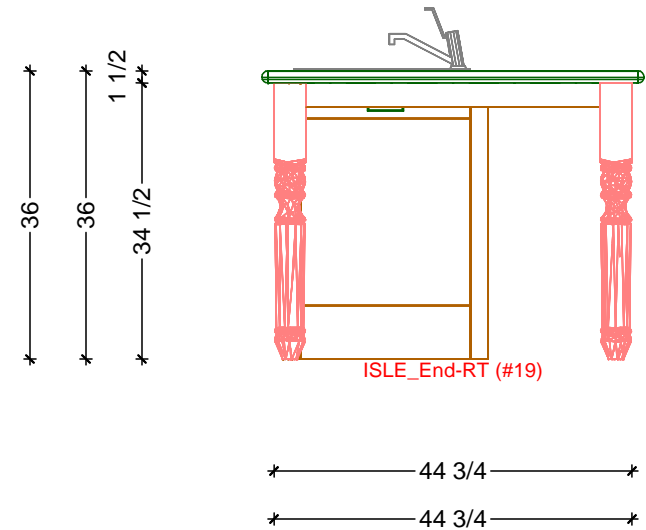
1 KITCHEN ELEVATION - WINE WALL
 SCALE: 1/2" = 1' 0"



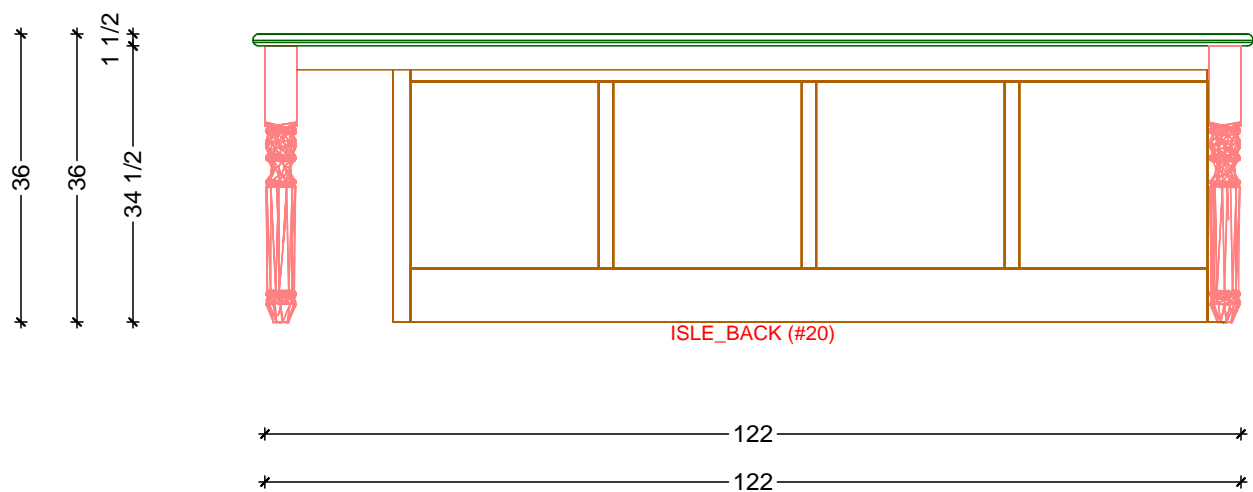
1 KITCHEN ELEVATION - RANGE/FRIDGE WALL
 SCALE: 1/2" = 1' 0"



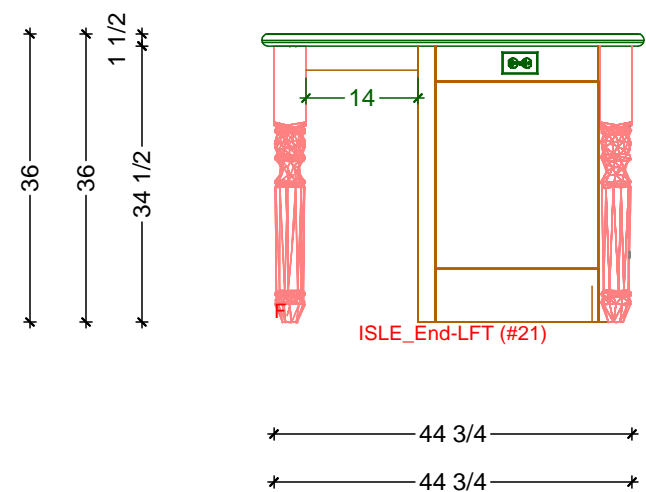
1 KITCHEN ISLE ELEVATION - FRONT
SCALE: 1/2" = 1' 0"



2 KITCHEN ISLE ELEVATION - RIGHT END
SCALE: 1/2" = 1' 0"



3 KITCHEN ISLE ELEVATION - BACK
SCALE: 1/2" = 1' 0"



4 KITCHEN ISLE ELEVATION - LEFT END
SCALE: 1/2" = 1' 0"



Classic Bath Designs, Inc.
 11544 Sheldon St., Sun Valley, CA 91352
 818.767.1144 fax: 818.767.1278



Cust: HFB for Manning

Approved _____

PO# DWELLING

Job: FL-S_PreFIN/PG:perSample_IntEB:PreFin

Scale: As Noted

Size: L

KITCHEN

Dr By: Brian

04/17/2019

Rndr



Classic Bath Designs, Inc.
 11544 Sheldon St., Sun Valley, CA 91352
 818.767.1144 fax: 818.767.1278



Cust: HFB for Manning

Approved _____

PO# DWELLING

Job: FL-S_PreFIN/PG:perSample_IntEB:PreFin

Scale: As Noted

Size: L

KITCHEN

Dr By: Brian

04/17/2019

Rndr



Classic Bath Designs, Inc.
 11544 Sheldon St., Sun Valley, CA 91352
 818.767.1144 fax: 818.767.1278



Cust: HFB for Manning

Approved _____

PO# DWELLING

Job: FL-S_PreFIN/PG:perSample_IntEB:PreFin

Scale: As Noted

Size: L

KITCHEN

Dr By: Brian

04/17/2019

Rndr