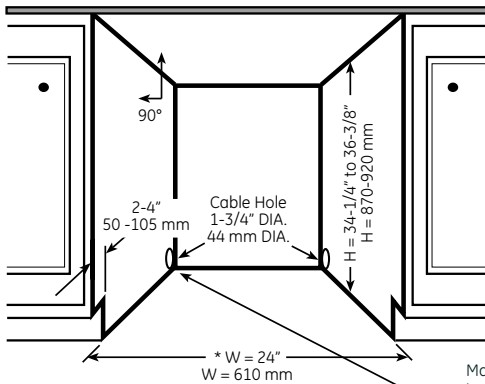


# ZBD9900RII

## GE Monogram® Fully Integrated Built-In Dishwasher

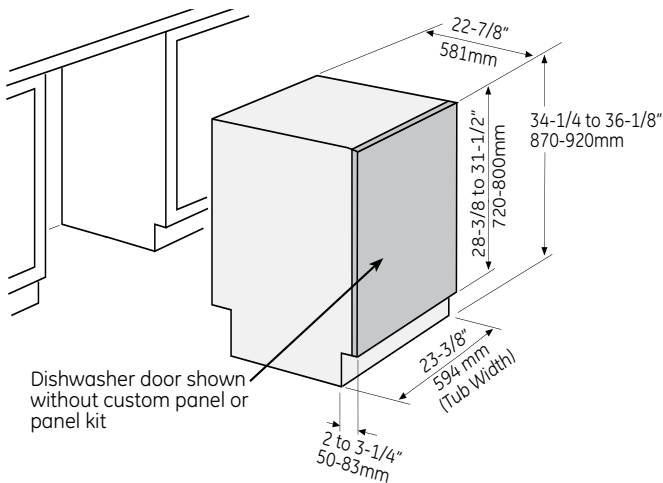
### Dimensions and Specifications (in inches)



\* Actual width of Dishwasher allows for installation in a 23-5/8" wide cutout. If optional Stainless Steel door panel (ZXS59900) is used, the cutout **MUST** be 24".

**NOTE:** A 24" cutout may require additional trim for a finished appearance.

Make sure the edges of the cable hole are even to avoid damage to the drain and supply hoses and the electric cable.



Dishwasher door shown without custom panel or panel kit

Electricity*	120v, 60Hz, 15amp
Water pressure	4.2-140 psi, 0.03-1.0 MPa, 0.3-10 Bar
Max loading	1300 watt

\*120 volts, 15 amp cord is supplied with the dishwasher.

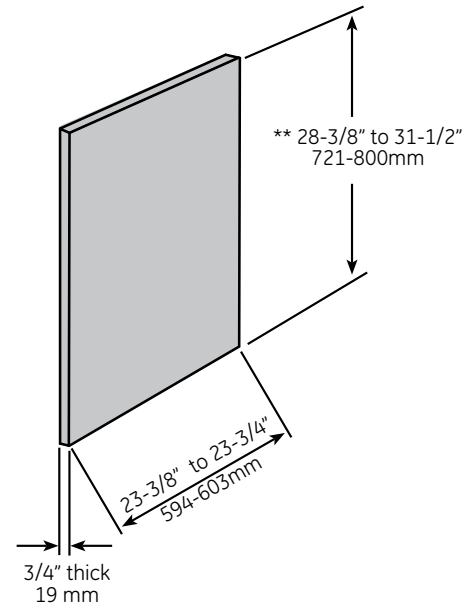
**Installation Information:** Before installing, consult installation instructions packed with the product for current dimensional data.

For answers to your Monogram®, GE Profile™ or GE® appliance questions, visit our website at [geappliances.com](http://geappliances.com) or call GE Answer Center® service, 800.626.2000.

### Custom Panel for Model ZBD9900RII

These dishwashers require a field installed 3/4" thick custom panel and custom handle which should be installed before the unit is mounted to the cabinet. An installation template is packed with the model and can be obtained in advance.

**Order Pub. No. 31-30269.** Complete panel installation instructions are included on the template.



### CUSTOM PANEL SIZE REQUIREMENTS

- Panel height must be 28-3/8" MIN. - and 31-1/2" MAX to accommodate different toe kick heights
- Max panel width cannot exceed cutout dimensions less 1/8" (2.5mm) reveal on each side
- Panel weight: up to 15 lbs. Up to 19 lbs. with accessory spring WD01X10445. If panel weight is over 19 lbs, order two of the accessory spring kits, WD01X10445.

**IMPORTANT:** The custom panel must not obstruct the fan exhaust vent; otherwise, moisture from the vent could eventually damage the panel and create drying problems.

**Corner Installation:** If the dishwasher is installed in a corner, there must be a minimum clearance of 2" (50mm) from the side wall so the door can open.



imagination at work



As an ENERGY STAR® partner, GE has determined that this product meets the ENERGY STAR guidelines for energy efficiency.



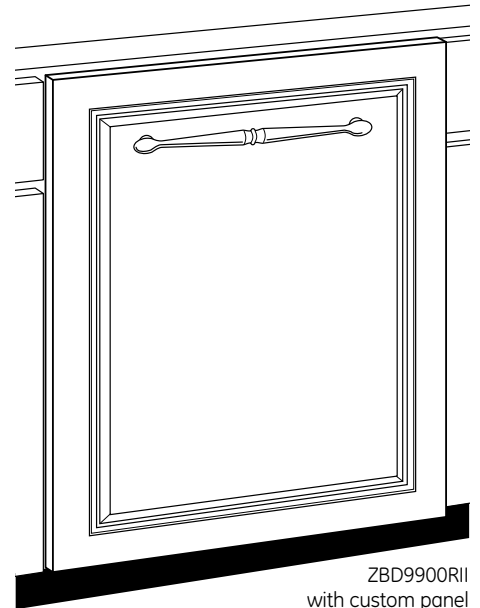
Listed by Underwriters Laboratories

# ZBD9900RII

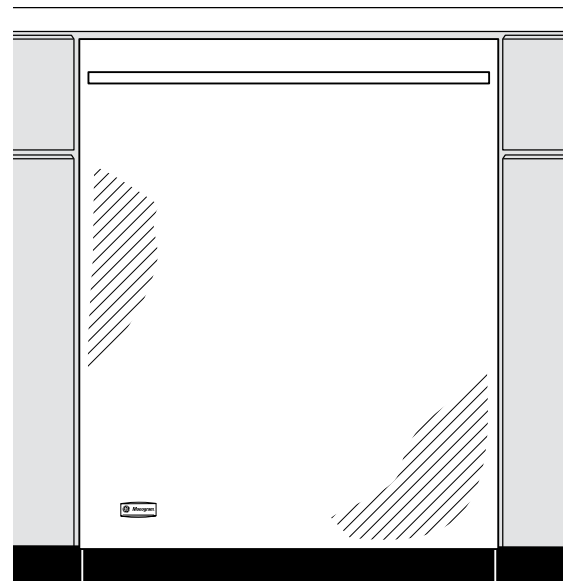
## GE Monogram® Fully Integrated Built-In Dishwasher

### Features and Benefits

- Integrated, panel-ready model is designed for use with a customer-supplied custom cabinet door and handle to blend in beautifully with surrounding cabinetry - even inset cabinets
- Super-efficient European wash system with ultrafine filtration, including a power zone for the cutlery rack, ensures every dish and utensil is thoroughly cleaned, while using minimal water and energy. CEE Tier II and ENERGY STAR® certified
- Quiet operation is made possible by advanced sound-absorbing materials and a smooth-running motor
- Drying system uses advanced sensor technology and a powerful fan to ensure dishes are dry, regardless of the load size
- Extra-large, stainless steel interior with height-adjustable upper rack provides the space and loading flexibility to accommodate up to 14 place settings
- Hidden, integrated electronic controls are easy to use and clean
- Optional stainless steel panel accessory, ZXSS9900, gives the dishwasher a sleek European look that coordinates with other Monogram appliances
- Model ZBD9900RII – Requires custom panel or optional stainless steel panel accessory



ZBD9900RII  
with custom panel



ZBD9900RII  
with stainless steel panel kit ZXSS9900



imagination at work