

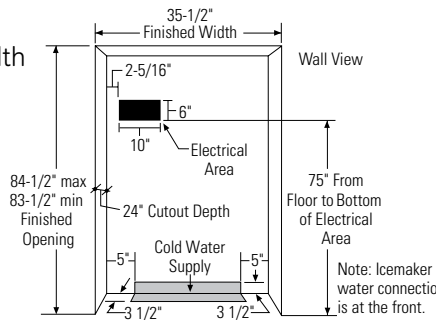
ZIC360NX

GE Monogram® 36" Built-In Side-by-Side Refrigerator

Dimensions and Installation Information (in inches)

The Installation Space

The finished cutout width must be 35-1/2".



The cutout depth must be 24"

The refrigerator will project forward, slightly beyond adjacent cabinetry, depending on your installation.

The cutout depth beneath a soffit

When installed beneath a soffit, the soffit cannot exceed the 24" installation depth shown. The top case trim overlaps the bottom of the soffit.

Electrical

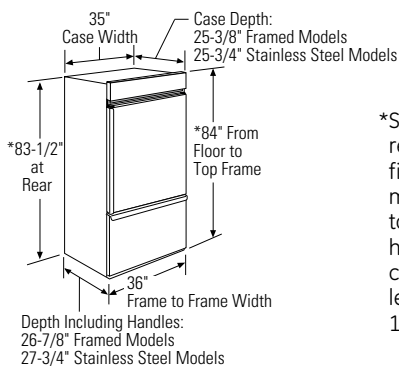
A 115V, 60Hz., 15 or 20 amp power supply is required. An individual properly grounded branch circuit or circuit breaker is recommended. Install a properly grounded 3-prong electrical receptacle recessed into the back wall. Electrical must be located on rear wall as shown.

Note: GFI (ground fault interrupter) is not recommended.

Water Line

All models are equipped with an automatic icemaker. The water line can enter the opening through the floor or back wall. Route GE SmartConnect™ Kit or 1/4" O.D. copper tubing between the cold water line and the water connection location at the front of the refrigerator. The installation of an easily accessible shut-off valve in the water line is required.

Product Dimensions

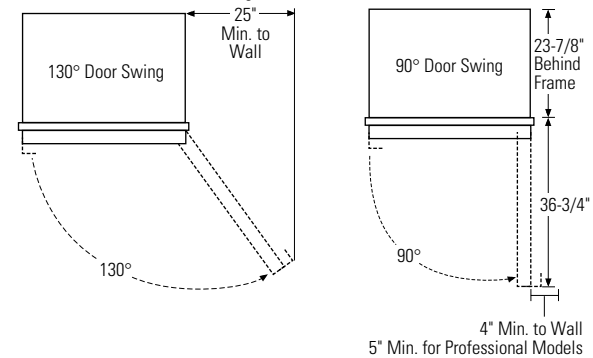


*Shipping Height. The refrigerator can be adjusted to fit into a cutout that is 83-1/2" min. to 84-1/2" max. height. The top case trim at the front is 1/2" higher and will overlap upper cabinetry or soffit. Use leveling legs and wheels for a maximum 1" height adjustment.

For answers to your Monogram®, GE Profile™ or GE® appliance questions, visit our website at ge.com or call GE Answer Center® service, 800.626.2000.

Door Swing Clearances

The installation must allow for clearances to adjacent walls or cabinets. These refrigerators are equipped with a 2-position door stop. The factory-set 130° door swing can be adjusted to 90° if clearance to adjacent cabinets or walls is restricted.



Allow 25" minimum clearances for a full 130° door swing. Allow 15" for pan removal.

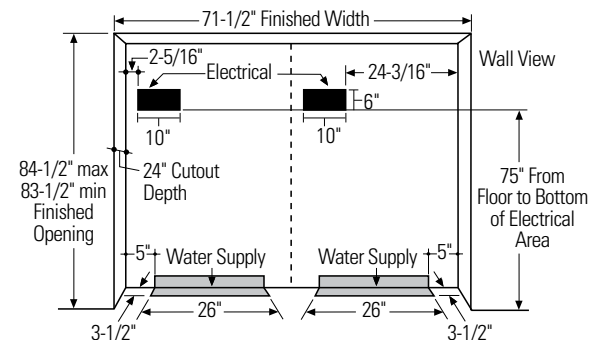
- 4" minimum clearance is required when the door swing is adjusted to 90°. If the 90° door stop position is used, pan access is maintained, but pan removal is restricted.
- See door swing illustrations to determine interaction with adjacent cabinets or countertops.

ZUG2, ZUGSS2 Unified Grille Panel Kit

- If you are installing two refrigerators side by side, the installation space must be 71-1/2" wide.

Note: Additional cutout width may be required when side panels are used. Add side panel thickness to the finished cutout to calculate rough-in width.

- The water and electrical locations for each product must be located as shown.
- A separate 115V, 60Hz., 15 or 20 amp power supply is recommended for each product.



ZIC360NX

GE Monogram® 36" Built-In Side-by-Side Refrigerator

Dimensions and Installation Information (in inches)

Customization Basics: Framed or Overlay Panels, Custom Handles and Accessory Kits

These bottom-freezer refrigerators are factory set for a left or right door swing. The door swing is NOT reversible. Choose an RH model with hinge on the right side; the door swings left to right. Choose an LH model with hinge on the left side; the door will swing right to left.

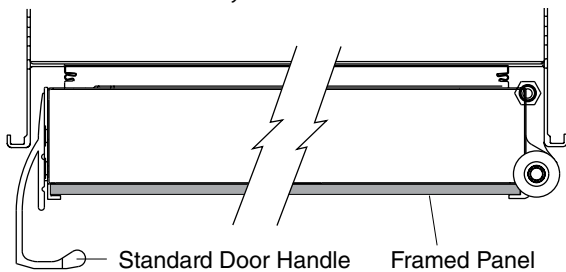
Trimmed Refrigerators

ZIC360NXLH, ZIC360NXRH

Trimmed refrigerators are designed to be customized with decorative panels. Field-installed custom door and grille panels are required.

Framed Panels

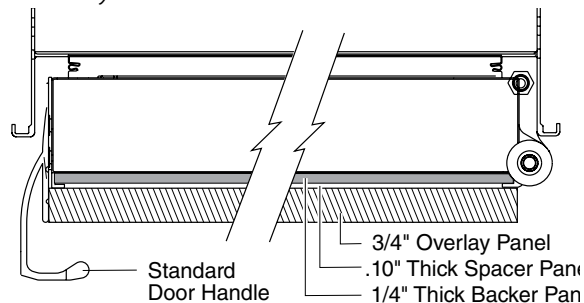
You may install 1/4"-thick custom panels from your cabinet manufacturer. The decorative panel or accessory panel slides into the factory-installed trim.



Standard supplied handles shown in 1/4" panel position.

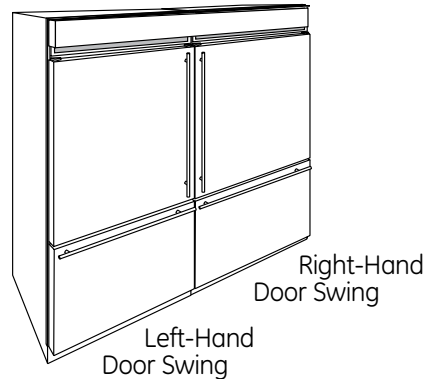
Overlay Panels

You may also choose to install custom overlay panels from your cabinet manufacturer. This design provides a seamless appearance which integrates smoothly with surrounding cabinetry.



Standard supplied handles shown in 3/4" overlay panel position.

For answers to your Monogram®, GE Profile™ or GE® appliance questions, visit our website at ge.com or call GE Answer Center® service, 800.626.2000.



Door Handles

The supplied handles can be adjusted to accommodate both framed or overlay panels. Custom handles of your choice, supplied by your cabinetmaker, can also be installed. If desired, you may order ZKHCSS2 Monogram® Stainless Steel Tubular Handle Kit for overlay panels.

Side Panels

Side panels must be used whenever the sides of the refrigerator will be exposed.

Optional Accessory Kits

ZKHCSS2: Monogram Stainless Steel Tubular Handle Kit and Handle Side Trim for custom handles. For use on 3/4" custom panels.

ZUG2: For side-by-side installation of two trimmed bottom-freezer refrigerators. This kit provides for the installation of a unified custom grille panel to span the width of two units using a framed or overlay panel.

ZUGSS2: For side-by-side installation of two stainless steel-wrapped bottom-freezer refrigerators. This kit provides a unified stainless steel grille panel to span the width of two units.

Accessory Panels

Black acrylic and stainless steel accessory panels are available from your Monogram supplier. Panels are cut to size and ready to install. These panel kits must be ordered separately.

Black	Stainless Steel
-------	-----------------

ZPBC360	ZPSC360
---------	---------



imagination at work



Listed by
Underwriters
Laboratories

ZIC360NX

GE Monogram® 36" Built-In Side-by-Side Refrigerator

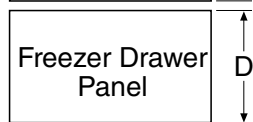
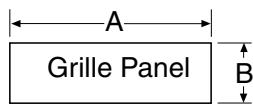
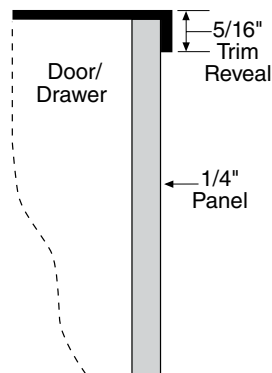
Dimensions and Installation Information (in inches)

1/4" Framed Panel Dimensions

If you choose to install framed panels, they must be cut to the dimensions shown. The panels will slide into the frame on the door, drawer and grille.

If the custom panel is less than 1/4" thick, and it fits loosely in the door frame, it can be backed up with a piece of filler material or foam tape to improve the fit.

Important Note: Maximum weight for fresh food panel is 50 pounds, 30 pounds for freezer drawer panel and 11 pounds for the grille panel.



Framed Panel Dimensions (in inches)

	A (Width)	B (Grille Ht.)	C (FF Ht.)	D (FZ Ht.)
1/4" Framed Panel	33-7/8	8-7/8	46-1/16	21-7/8

3/4" Overlay Panel Dimensions (in inches)

	A (Width)	B (Grille Ht.)	C (FF Ht.)	D (FZ Ht.)
1/4" Backer Panel	33-7/8	8-7/8	46-1/16	21-7/8
.10" Spacer Panel	32-1/2	7-5/8	44-11/16	20-1/2
3/4" Overlay Panel	34-1/8	9	46-5/16	22

For answers to your Monogram,® GE Profile™ or GE® appliance questions, visit our website at ge.com or call GE Answer Center® service, 800.626.2000.

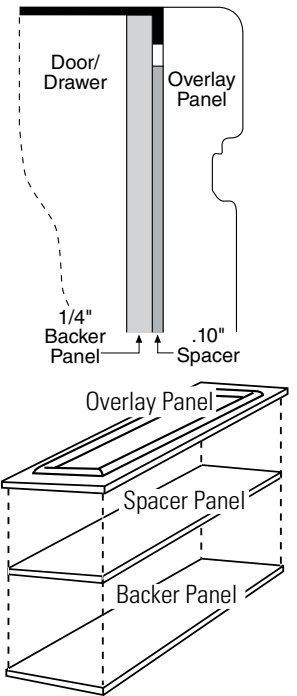


3/4" Overlay Panel Dimensions

For a more custom appearance, overlay panels may be installed on trimmed models. The overlay panel must be secured to a 1/4"-thick backer panel which slides into the trim. A spacer panel 0.10" thick must be placed between the overlay and backer panel.

$$.250" + .10" + .750" = 1.100" \text{ Total Panel Thickness}$$

Center each panel over the other. Assemble the panels with glue and screws. Screws must be counter-sunk into the backer panel.

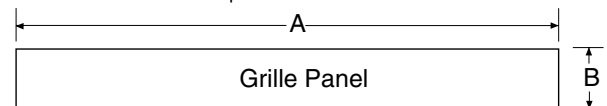


NOTE: Left-to-right offset is not always equal to top-to-bottom offset.

ZUG2 Grille Panel Dimensions

The ZUG2 Unified Grille Panel Kit will accept a framed or overlay grille panel.

- Assemble the overlay panel in the same manner as the door and drawer panels.



Framed Panel Dimensions

	A (Width)	B (Height)
1/4" Framed Panel	69-7/8"	8-7/8"

Overlay Panel Dimensions

	A (Width)	B (Height)
1/4" Backer Panel	69-7/8"	8-7/8"
.10" Spacer Panel	68-1/2"	7-5/8"
3/4" Overlay Panel	70-1/8"	9"



ZIC360NX

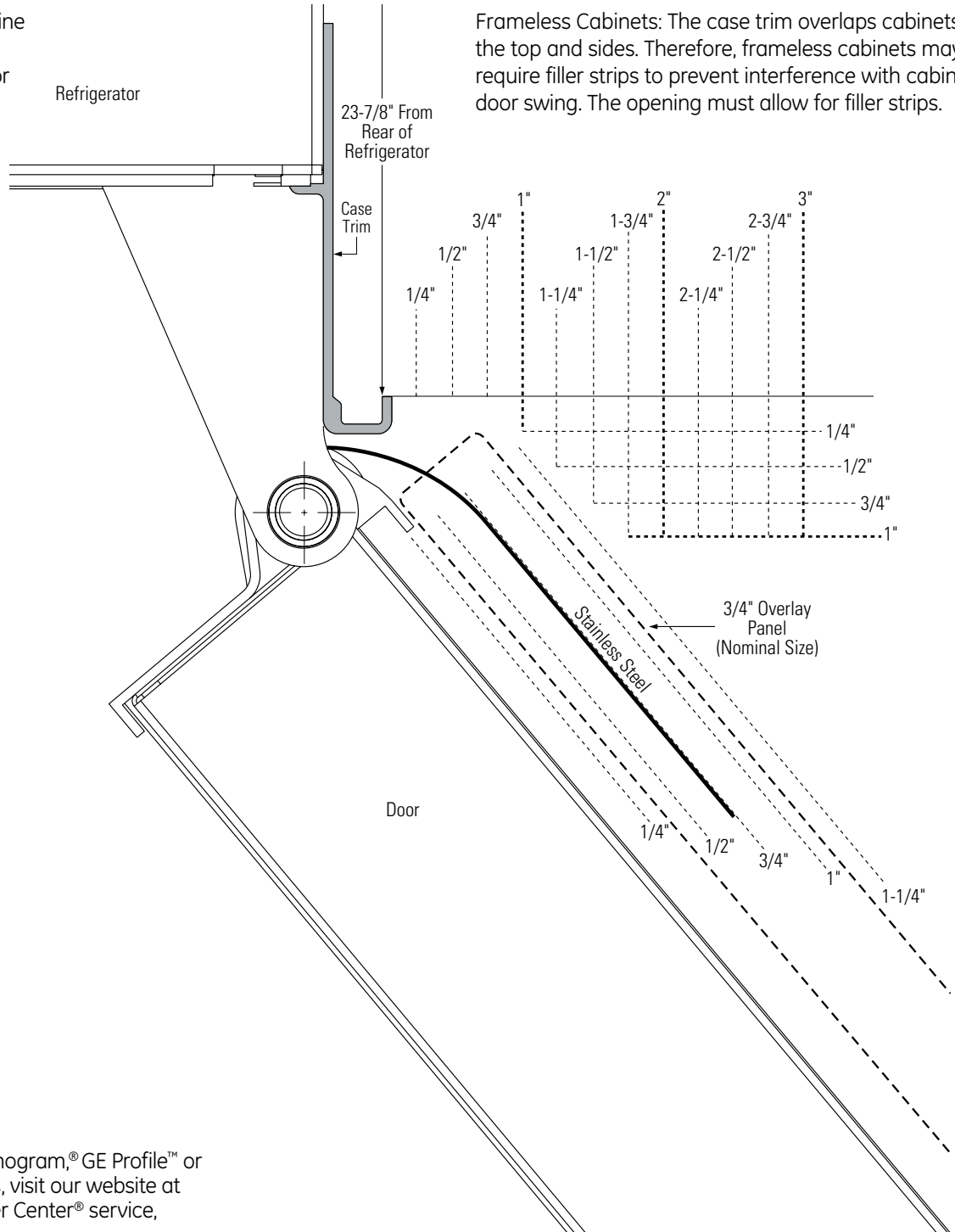
GE Monogram® 36" Built-In Side-by-Side Refrigerator

Dimensions and Installation Information (in inches)

Advance Planning for Built-In Custom Bottom-Freezer Refrigerators

Use this page to determine door swing interaction with adjacent cabinets or countertops.

Frameless Cabinets: The case trim overlaps cabinets at the top and sides. Therefore, frameless cabinets may require filler strips to prevent interference with cabinet door swing. The opening must allow for filler strips.



Top View
130° Door Swing
(Optional setting)
Scale 1:1

For answers to your Monogram®, GE Profile™ or GE® appliance questions, visit our website at ge.com or call GE Answer Center® service, 800.626.2000.



ZIC360NX

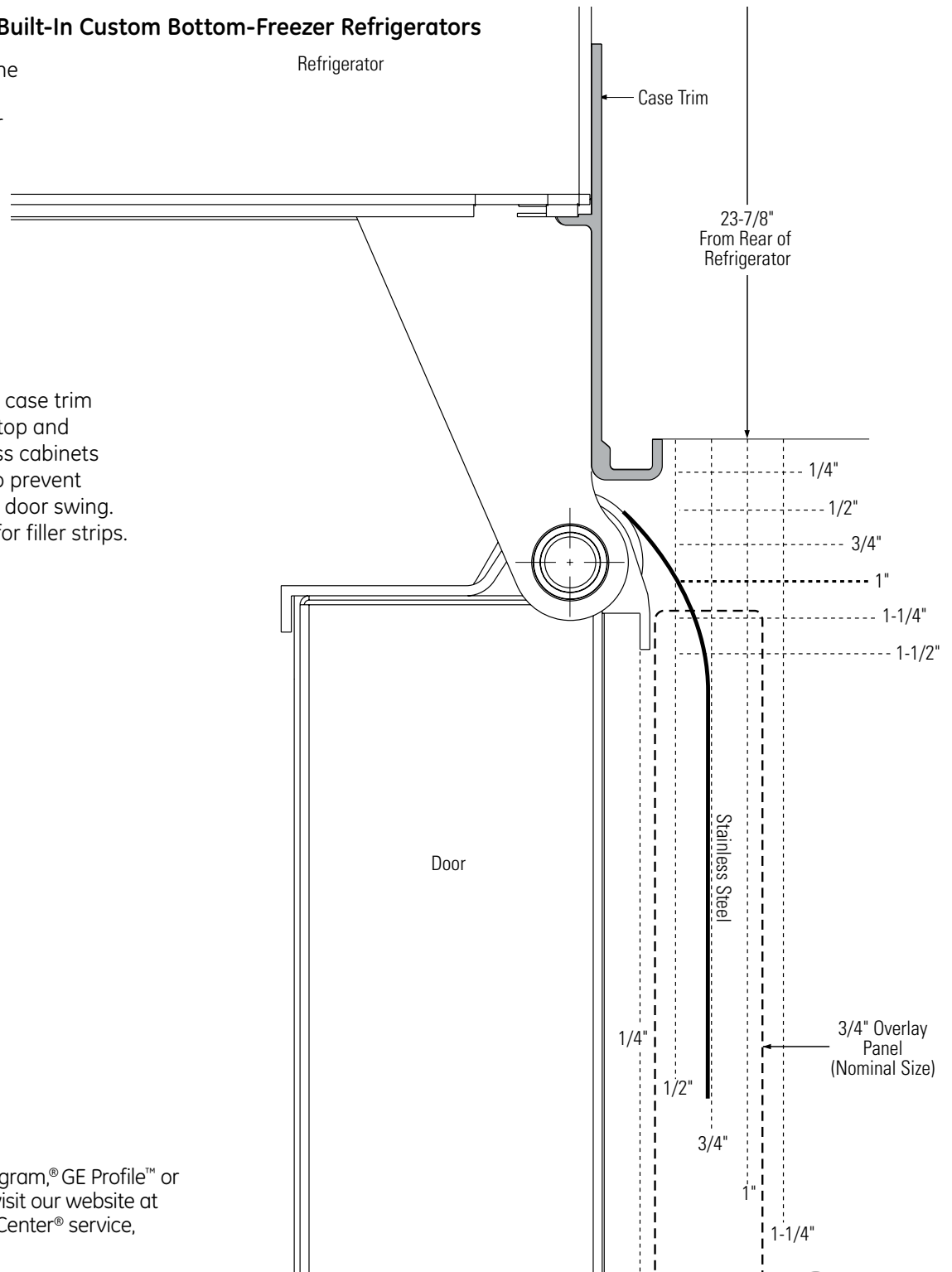
GE Monogram® 36" Built-In Side-by-Side Refrigerator

Dimensions and Installation Information (in inches)

Advance Planning for Built-In Custom Bottom-Freezer Refrigerators

Use this page to determine door swing interaction with adjacent cabinets or countertops.

Frameless Cabinets: The case trim overlaps cabinets at the top and sides. Therefore, frameless cabinets may require filler strips to prevent interference with cabinet door swing. The opening must allow for filler strips.



Top View
90° Door Swing
(Optional setting)
Scale 1:1

For answers to your Monogram,® GE Profile™ or GE® appliance questions, visit our website at ge.com or call GE Answer Center® service, 800.626.2000.



imagination at work



Listed by
Underwriters
Laboratories